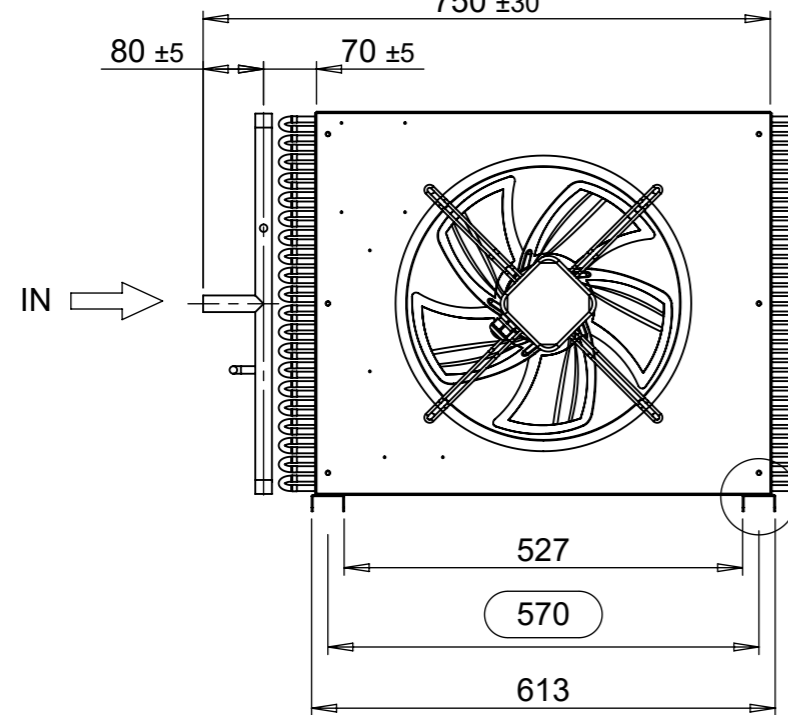
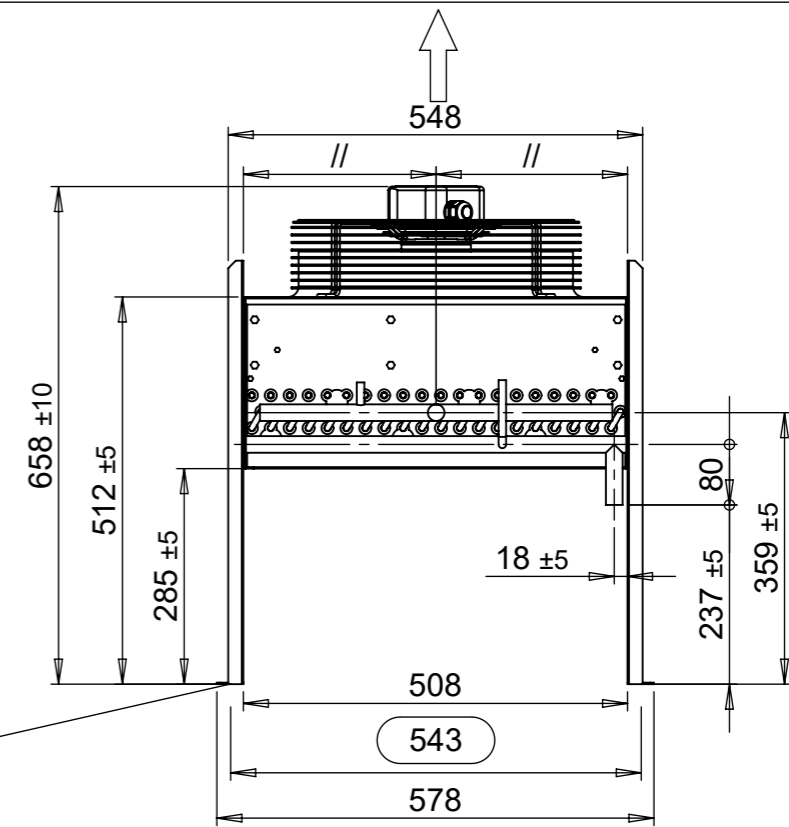
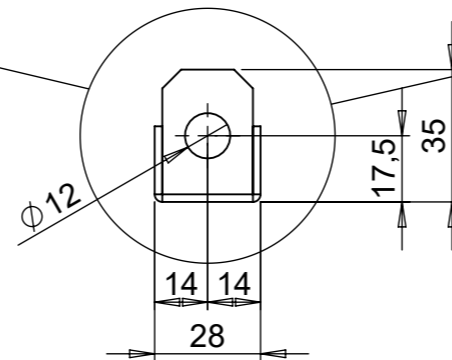
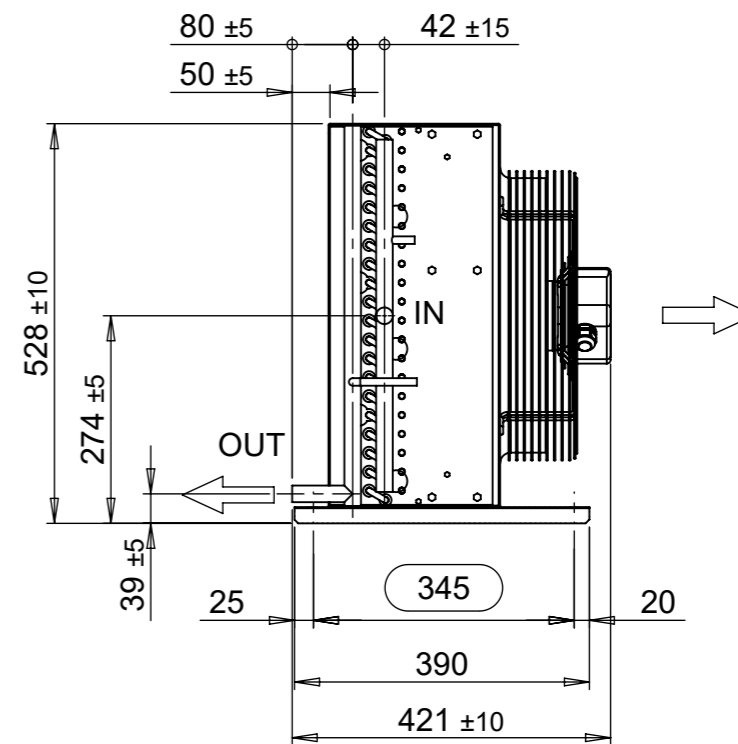
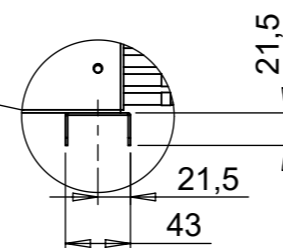

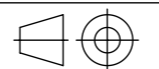


Feet for vertical air flow
n°4 fixing point Ø12



Feet for vertical air flow
n°4 fixing point Ø14



00	20.01.2020						F. Moretto	L. Ruozi
REV	Date	Modifications					Revisor	Approved by
		AlfaLuvette		01.2020	AlfaLuvette	01.2020		
alfa.luvegroup.com		Drawn by	Date	Approved by	Date	Treatment		
		Scale	1:10					
		Format	A3					
Alfablue Junior 350							Associated / References to	
							Replaces	
							AG 351 -00	
Tolerance class M EN 22768-1 22768-2							Article number REV	