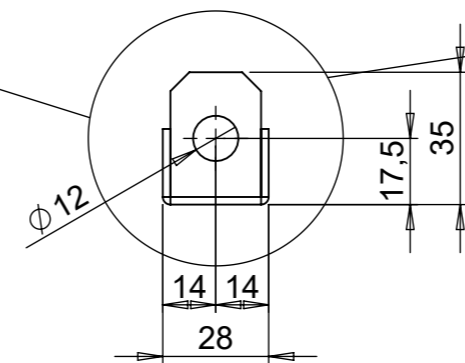
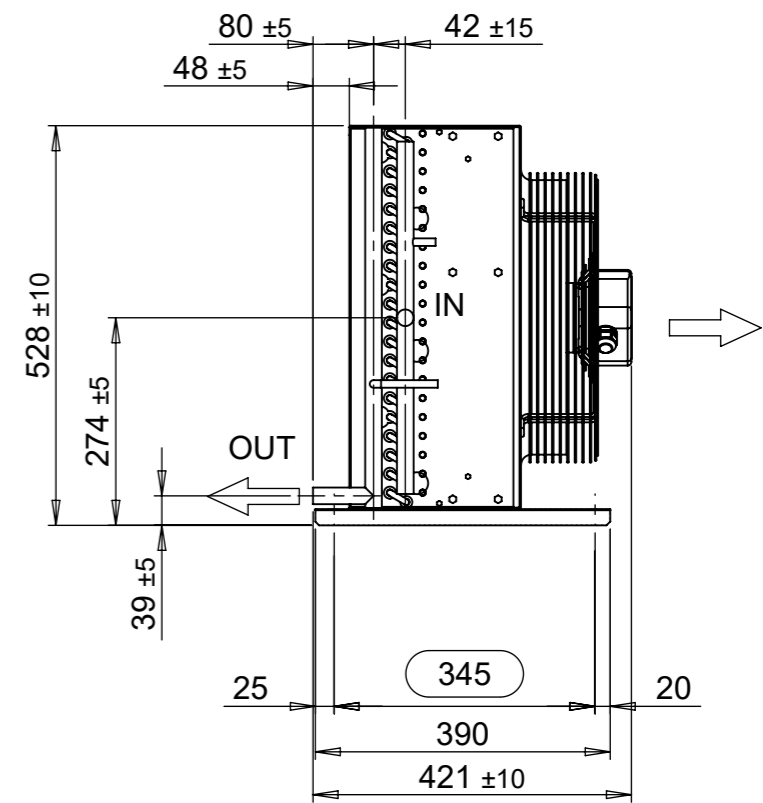
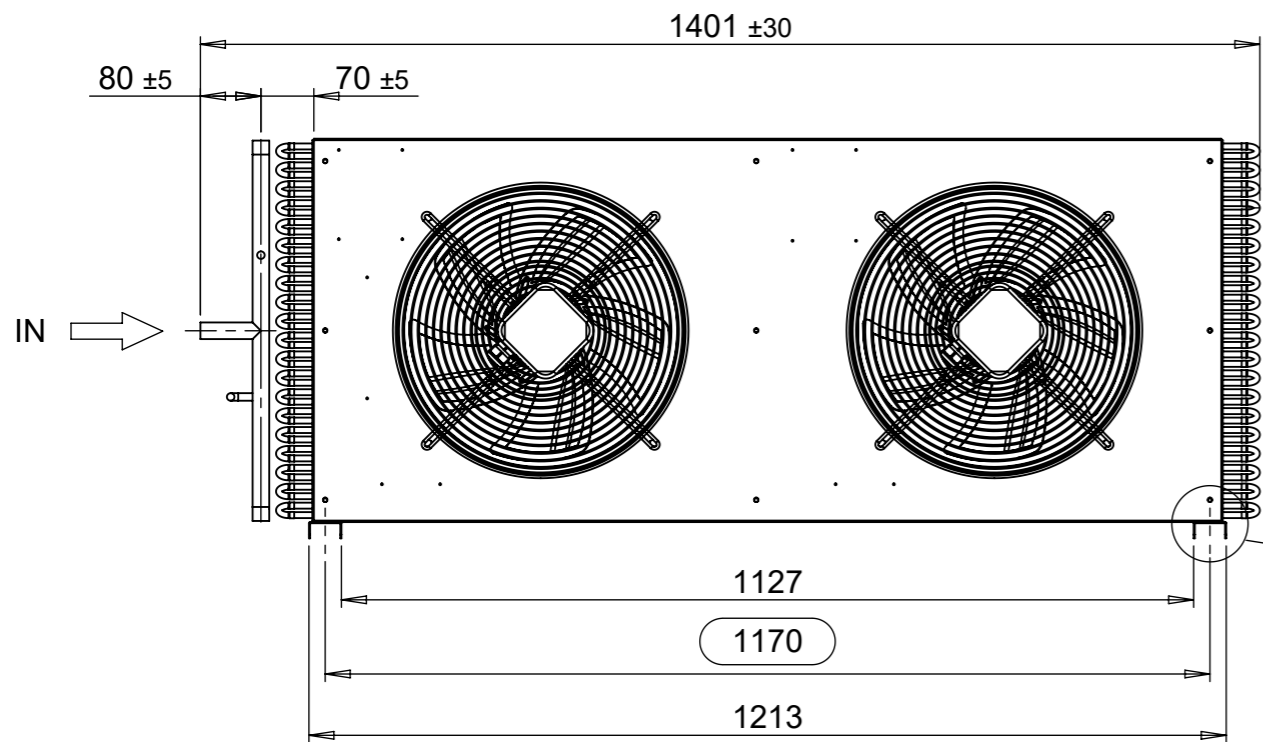
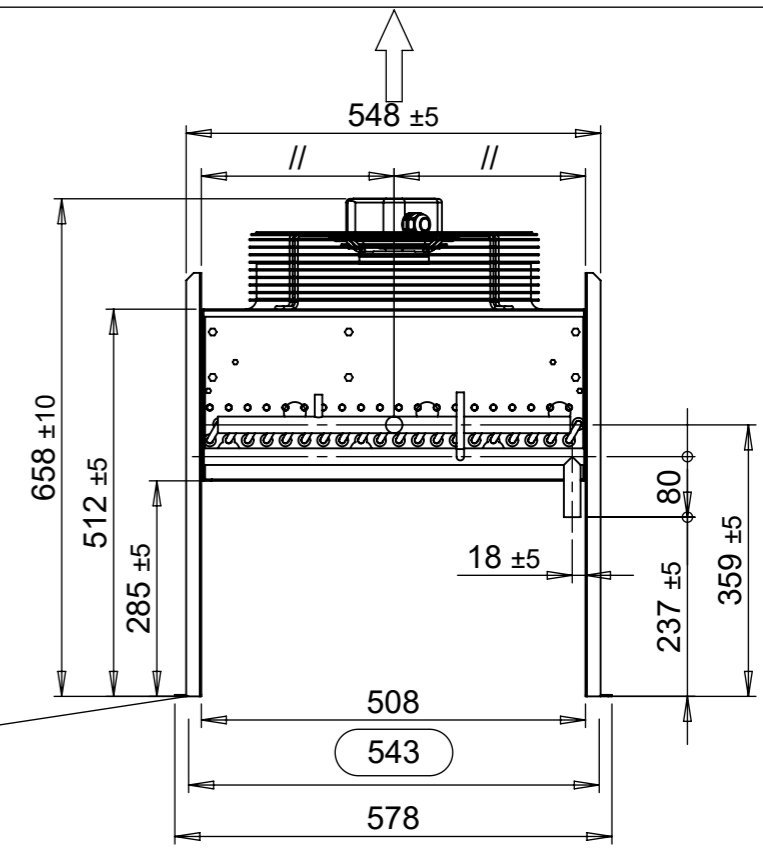
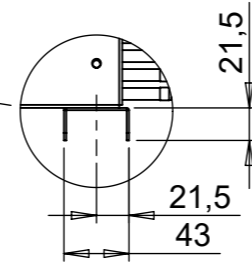



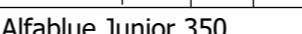

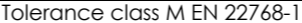


Feet for vertical air flow
n°4 fixing point Ø12



Feet for vertical air flow
n°4 fixing point Ø14



00	20.01.2020								F. Moretto	L. Ruozi	
REV	Date	Modifications						Revisor	Approved by		
										mm	
										Weight	Dimensions
		AlfaLuve	01.2020	AlfaLuve	01.2020	Treatment					
		Drawn by	Date	Approved by	Date						
		Scale	1:10								
		Format	A3								
Alfablue Junior 350										Associated / References to	
										Replaces	
										AG 352	
										Article number	
										-00	
										REV	

Tolerance class M EN 22768-1 22768-2