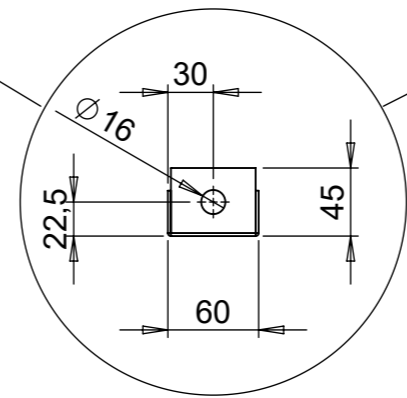
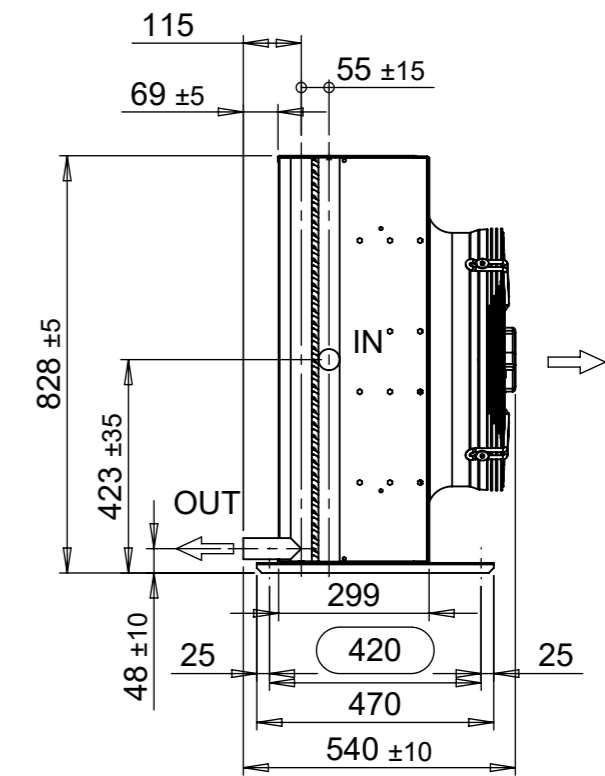
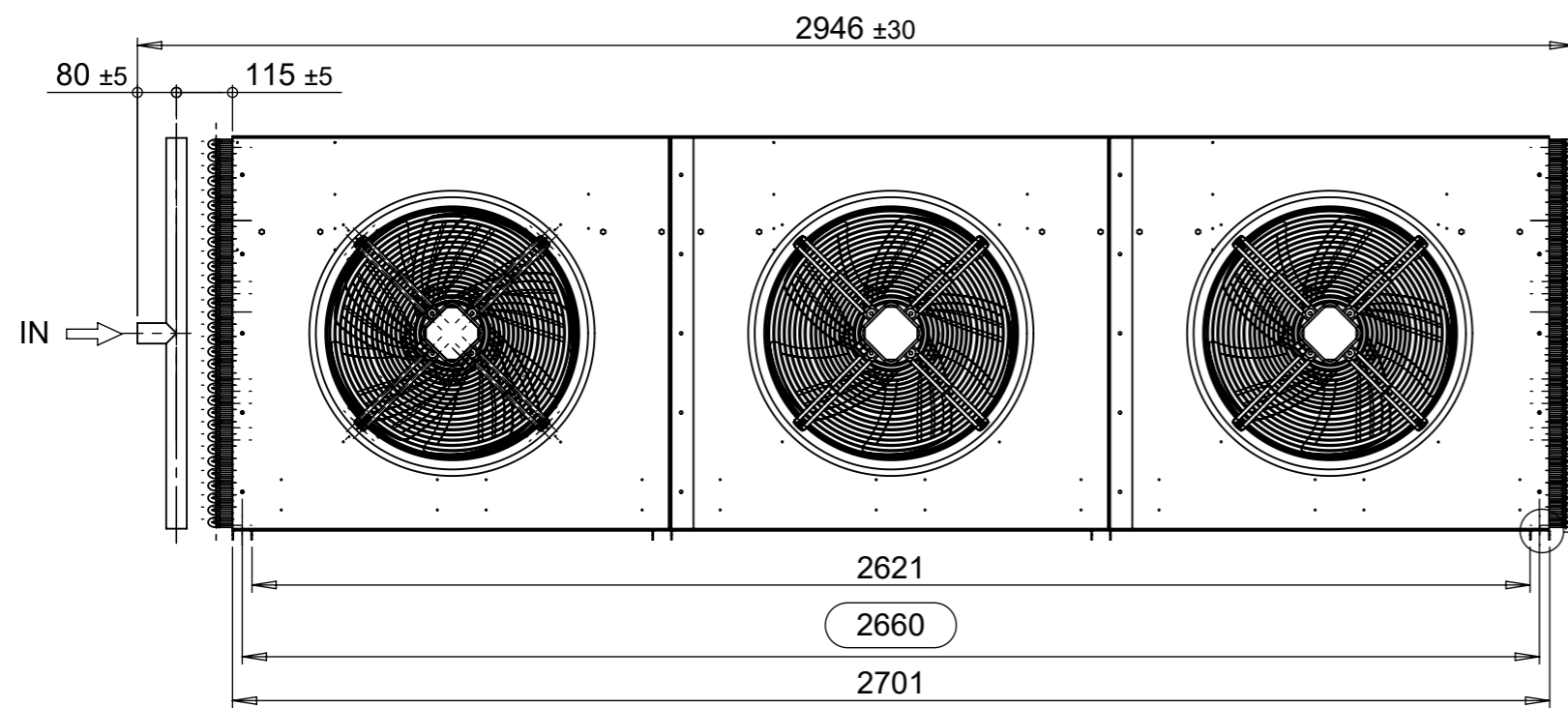
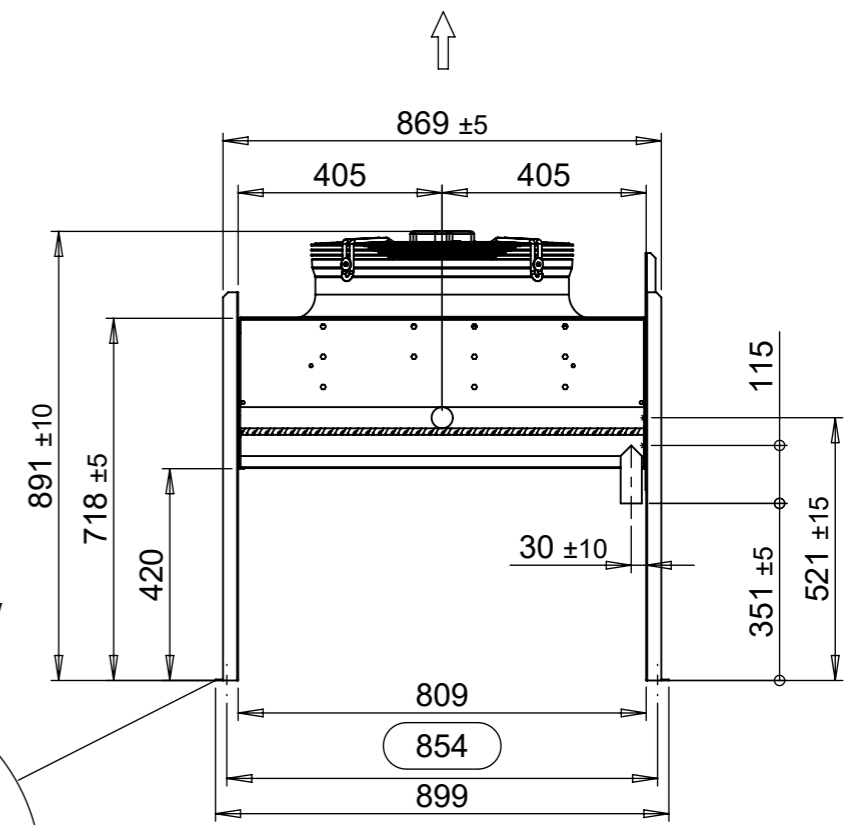
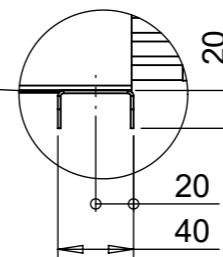

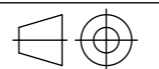


Feet for vertical air flow
n°4 fixing point Ø16



Feet for horizontal air flow
n°4 fixing point Ø14



00					
01	23.04.2015	Aggiornato quote ingombro fuori-tutto, aggiunto quote piedi intermedi	M. Montorio		
02	20.01.2020	Adjust connections position	F. Moretto	L. Ruozi	
REV	Date	Modifications	Revisor	Approved by	
				mm	
				Weight	
				Dimensions	
		AlfaLuve	01.2020	AlfaLuve	01.2020
alfa.luvegroup.com		Drawn by	Date	Approved by	Date
		Scale	1:15		
		Format	A3		
AlfaBlue Junior 500				Associated / References to	
Tolerance class M EN 22768-1 22768-2				Replaces	
AlfaBlue Junior				Dimension drawing	
				AG 503	
				Article number	
				-02	
				REV	