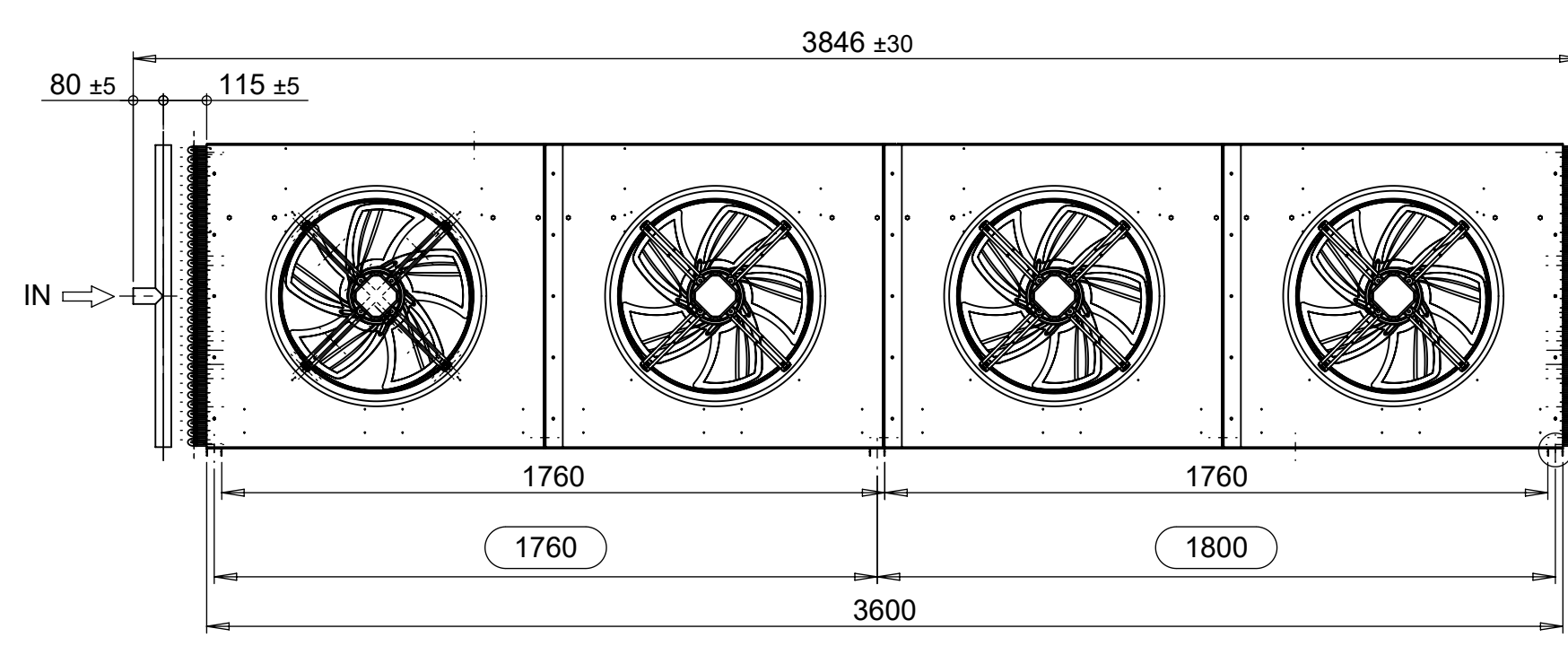
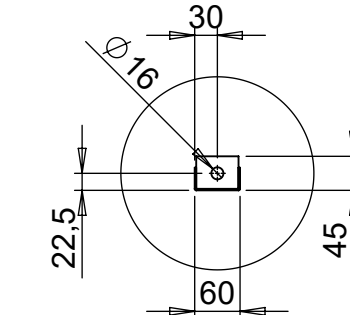
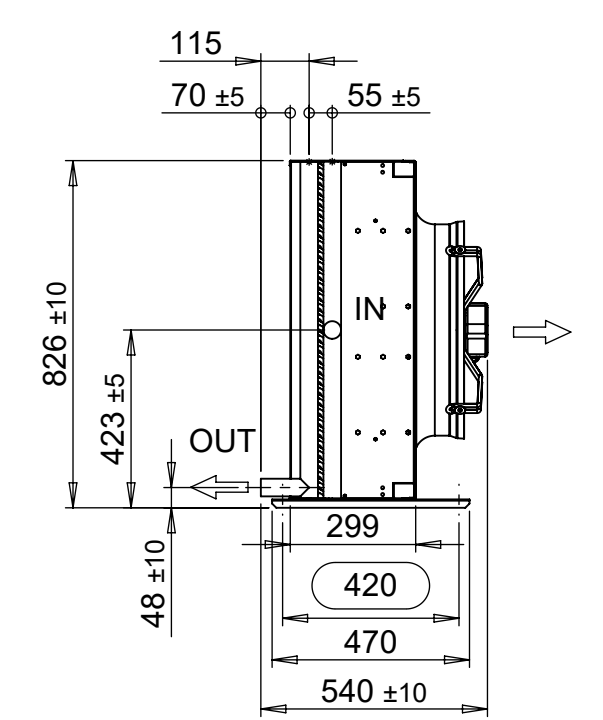
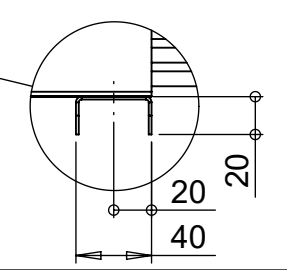

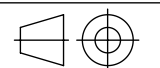


Feet for vertical air flow
n°6 fixing point Ø16



Feet for horizontal air flow
n°6 fixing point Ø14



00					
01	23.04.2015	Aggiornato quote ingombro fuori-tutto, aggiunto quote piedi intermedi	M. Montorio		
02	20.01.2020	Adjust connections position	F. Moretto	L. Ruozzi	
REV	Date	Modifications	Revisor	Approved by	
		AlfaLuve	01.2020	AlfaLuve	01.2020
alfa.luvegroup.com		Drawn by	Date	Approved by	Date
		Scale 1:18	Treatment		
		Format A3	Associated / References to		
Alfablue Junior 500			Replaces		
Tolerance class M EN 22768-1 22768-2			AlfaBlue Junior	Common parts	
			AG 504	-02	
			Article number	REV	