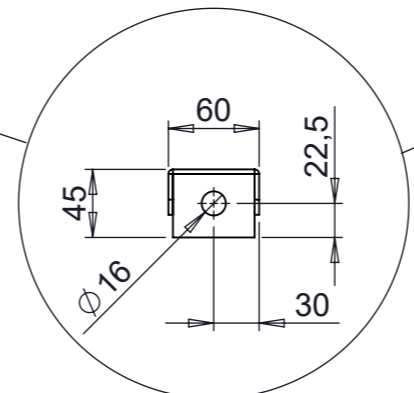
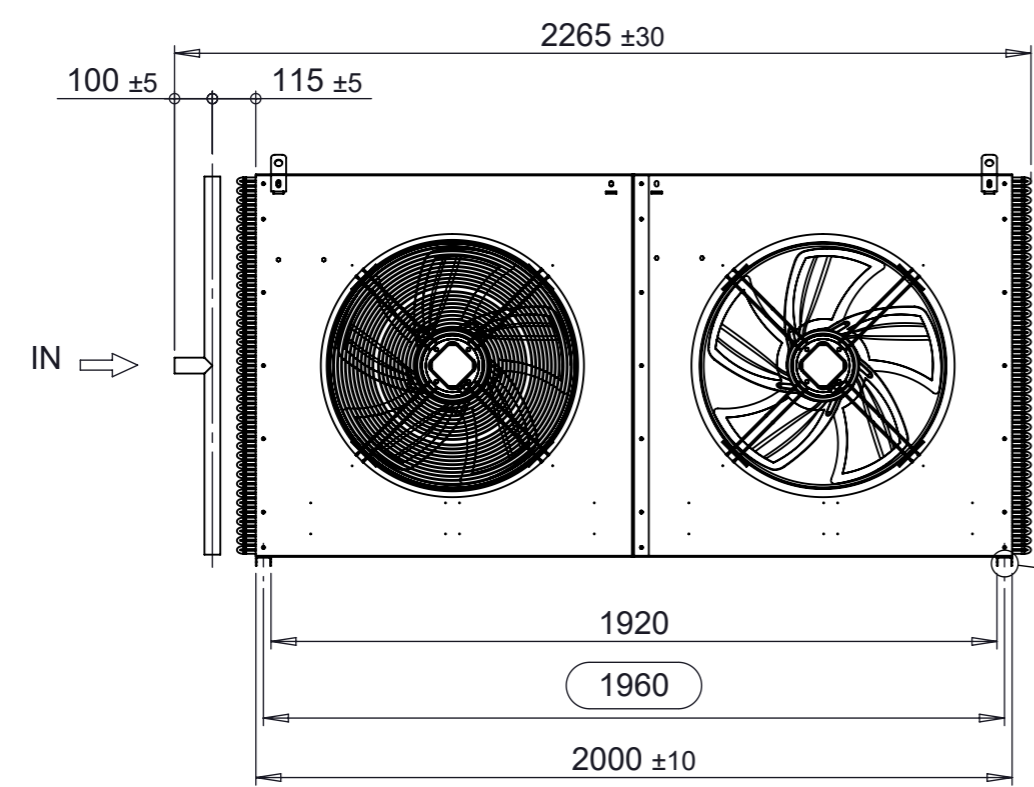
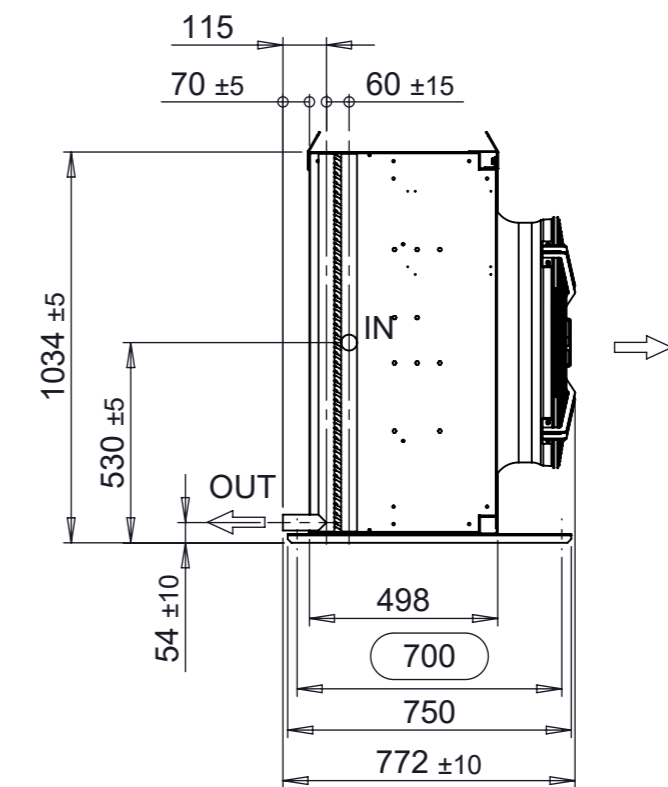
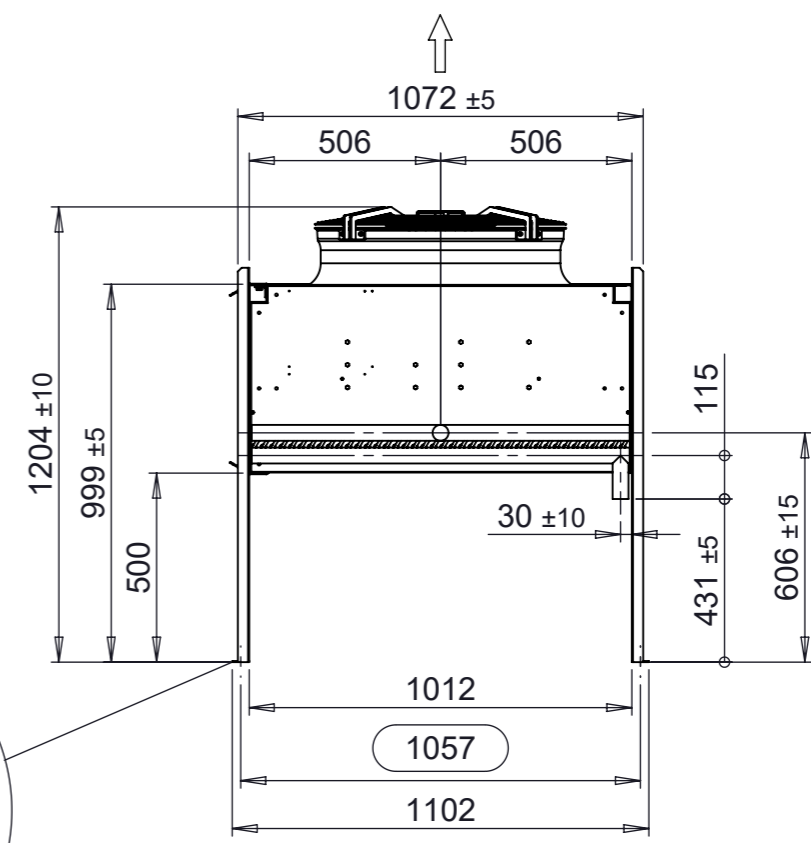
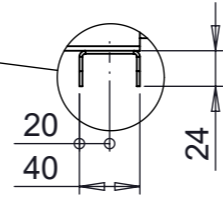



Feet for vertical air flow  
n°4 fixing points Ø16



Feet for horizontal air flow  
n°4 fixing points Ø14



00					
01	23.04.2015	Aggiornato quote ingombro fuori-tutto, aggiunto quote piedi intermedi	M. Montorio		
02	20.01.2020	Adjust connections position	F. Moretto	L. Ruozi	
REV	Date	Modifications	Revisor	Approved by	
				mm	
				Weight	
				Dimensions	
 alfa.luvegroup.com		AlfaLuve	01.2020	AlfaLuve	01.2020
		Drawn by	Date	Approved by	Date
				Treatment	
		Scale	1:20		
		Format	A3		
Alfablue Junior 630					Associated / References to
					Replaces
AlfaBlue Junior					AG 632
Dimension drawing					-02
Tolerance class M EN 22768-1 22768-2					REV