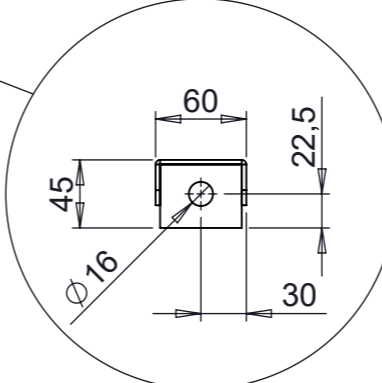
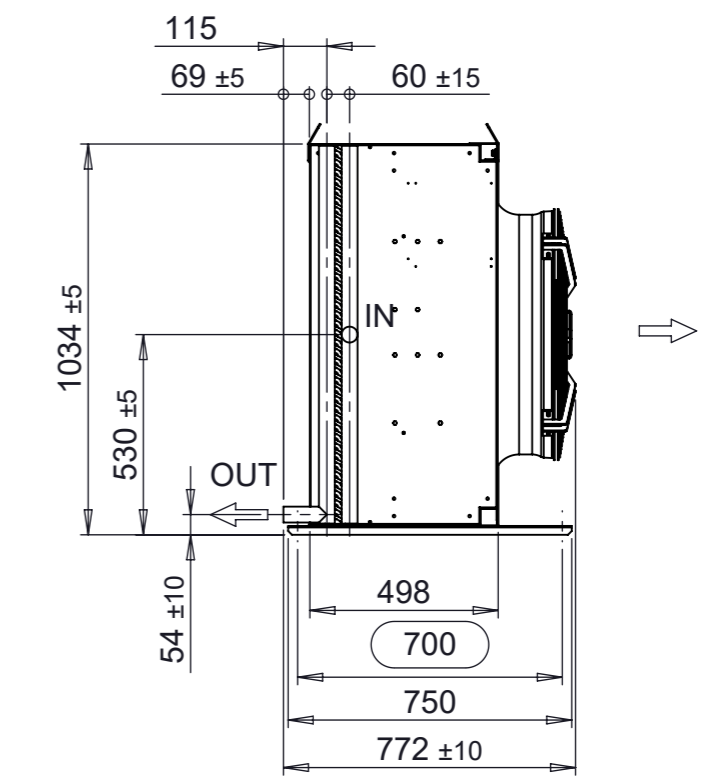
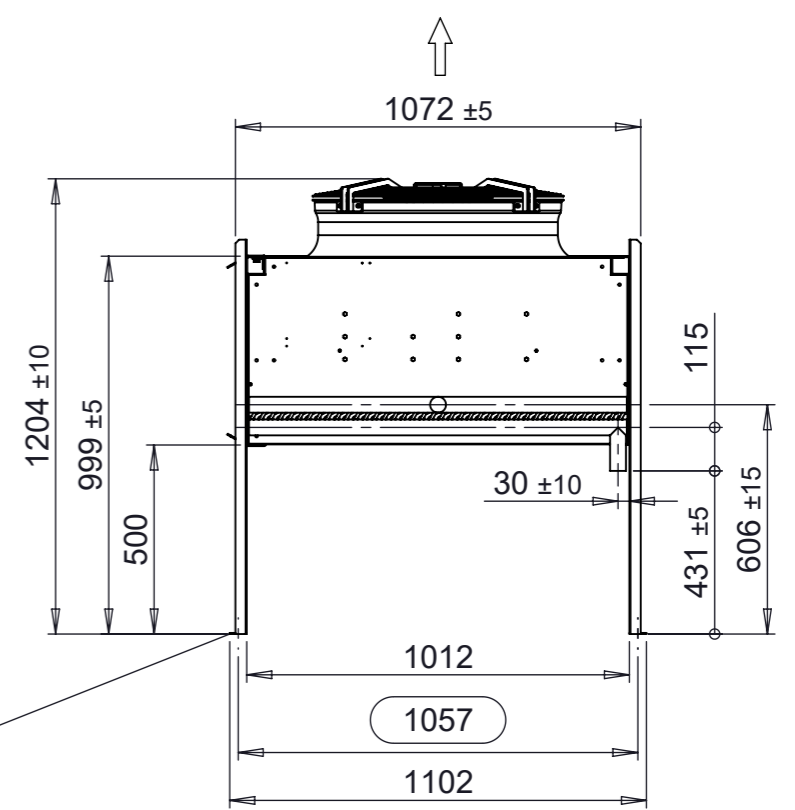
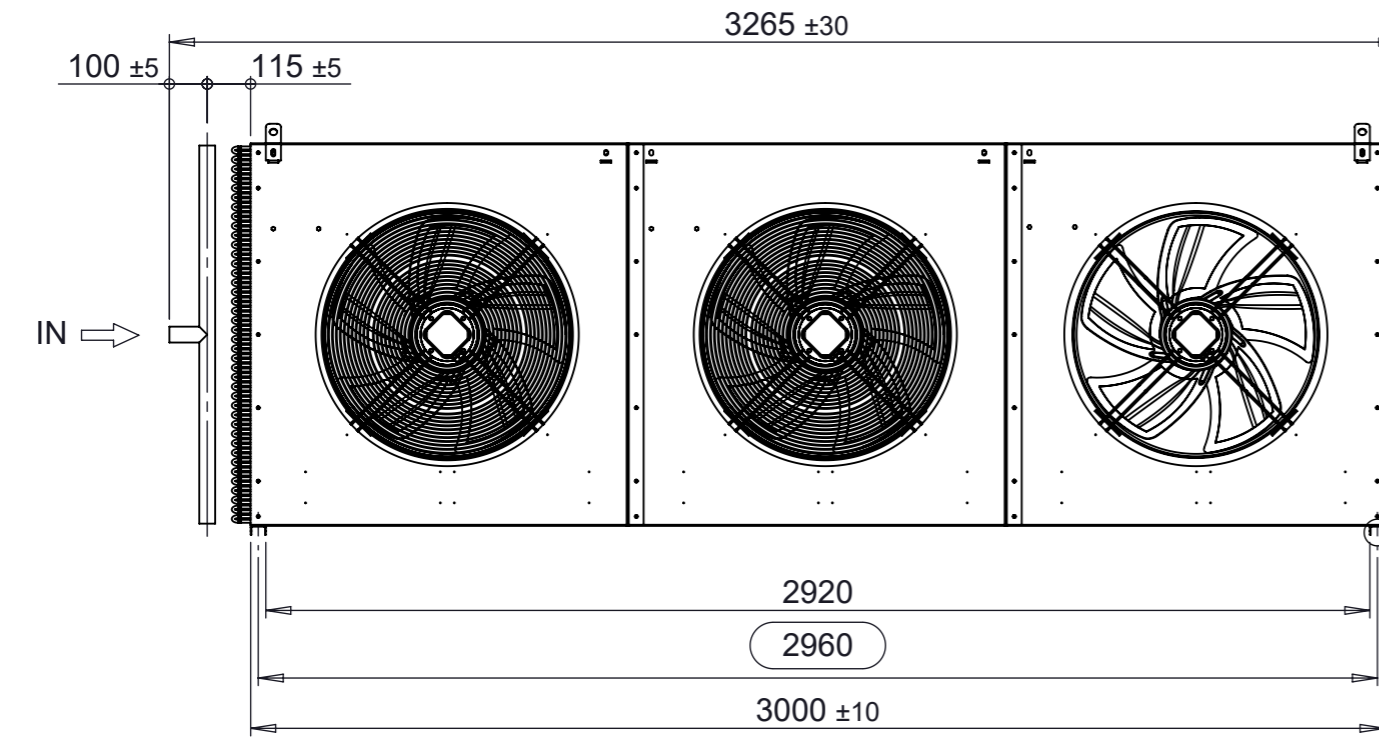

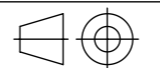


Feet for vertical air flow
n°4 fixing points Ø16



Feet for horizontal air flow
n°4 fixing points Ø14



00					
01	23.04.2015	Aggiornato quote ingombro fuori-tutto, aggiunto quote piedi intermedi	M. Montorio		
02	20.01.2020	Adjust connections position	F. Moretto	L. Ruozi	
REV	Date	Modifications	Revisor	Approved by	
				mm	
				Weight	Dimensions
		AlfaLuve	01.2020	AlfaLuve	01.2020
alfa.luvegroup.com		Drawn by	Date	Approved by	Date
		Scale	1:20		
		Format	A3		
Alfablue Junior 630					Associated / References to
AlfaBlue Junior					Replaces
Dimension drawing					AG 633
Tolerance class M EN 22768-1 22768-2					Article number
					-02
					REV