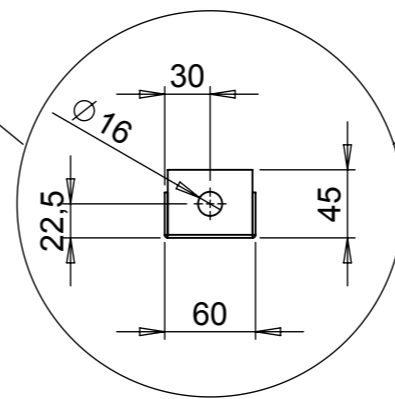
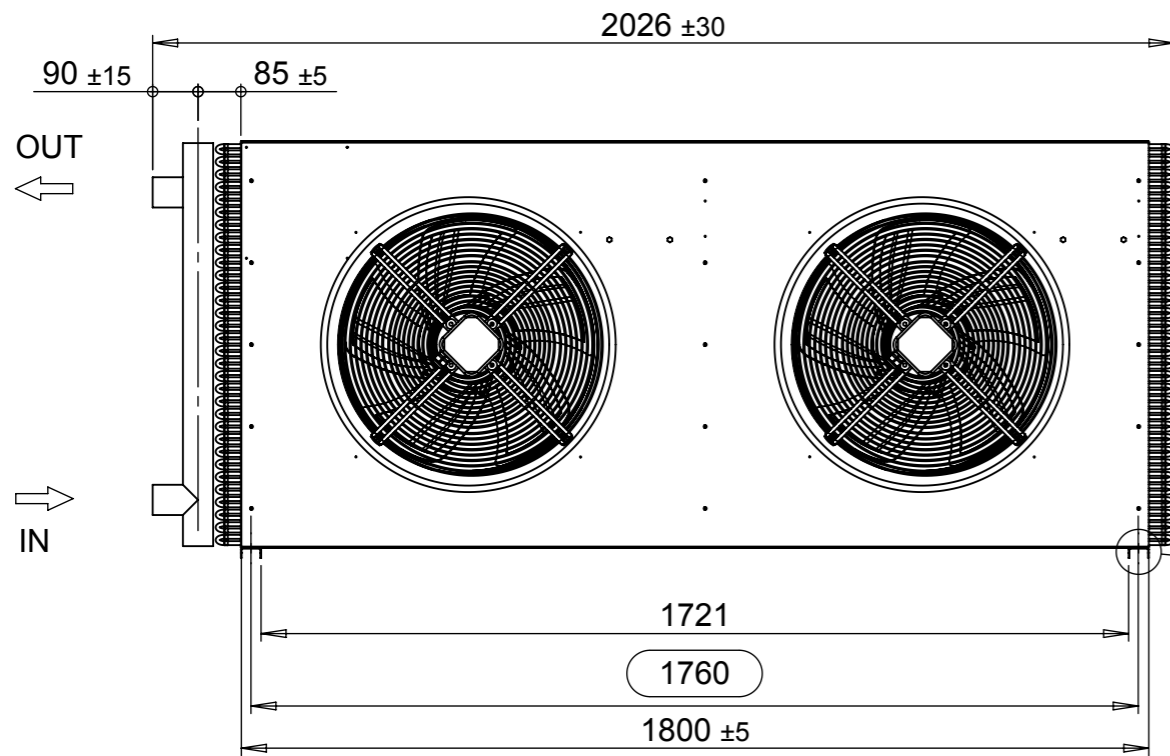
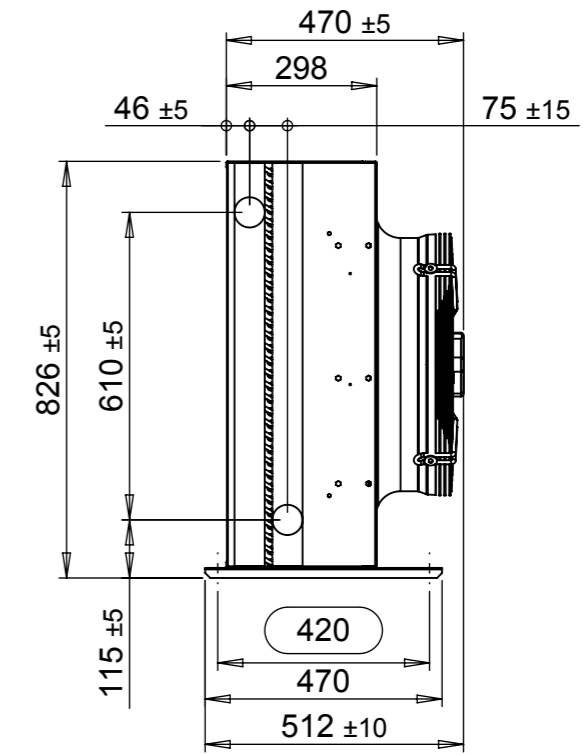
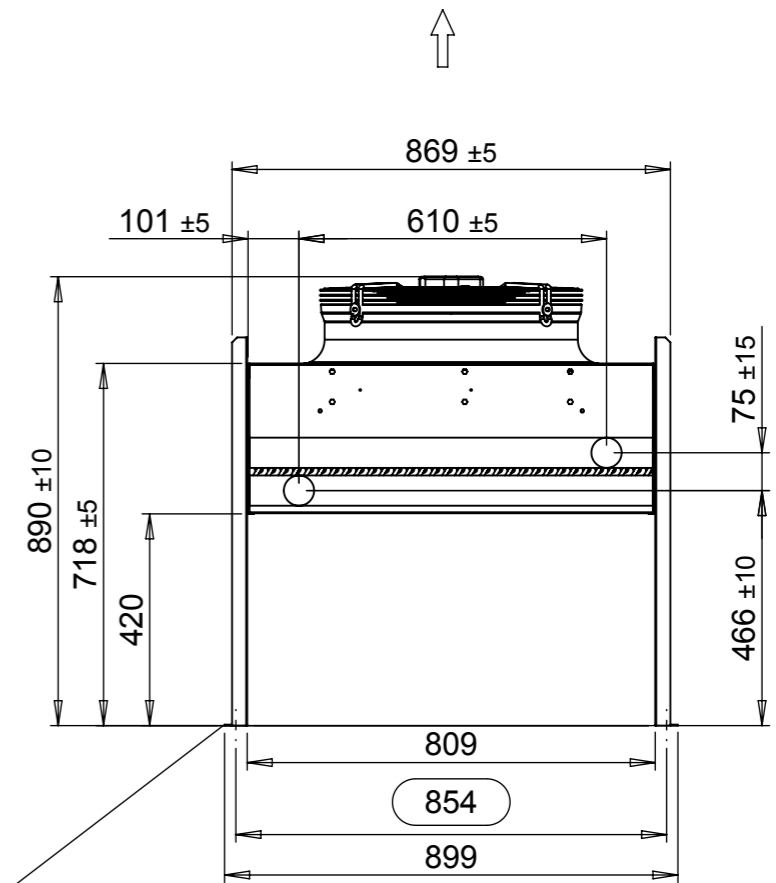



Feet for vertical air flow
n°4 fixing point Ø16



Feet for horizontal air flow
n°4 fixing point Ø14



00				
01	23.04.2015	Aggiornato quote ingombro fuori-tutto, aggiunto quote piedi intermedi	M. Montorio	
02	24.03.2017	Adjust connections position	M. Montorio	
REV	Date	Modifications	Revisor	Approved by

 www.alfalaval.com	M. Montorio	07.01.2015	M. Montorio	20/01/2015	Treatment
	Drawn by	Date	Approved by	Date	

Scale	1:15	Associated / References to
Format	A3	

Alfablue Junior 500	AlfaBlue Junior	Dimension drawing	Replaces
Tolerance class M EN 22768-1 22768-2			DG 502 Article number