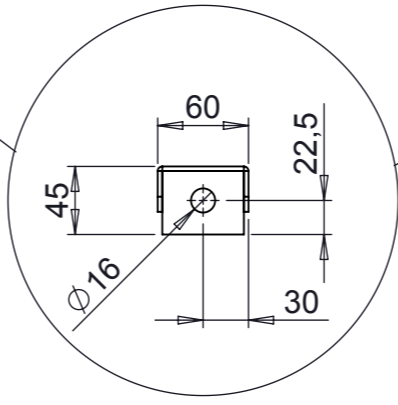
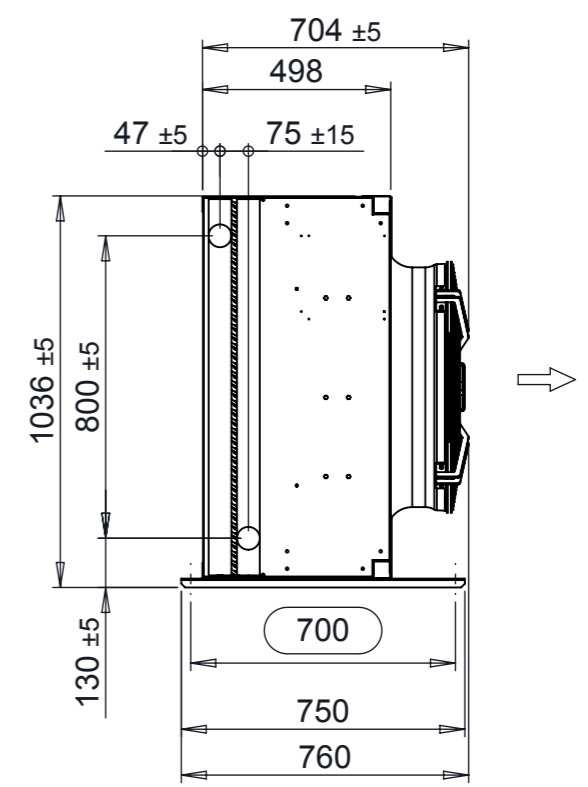
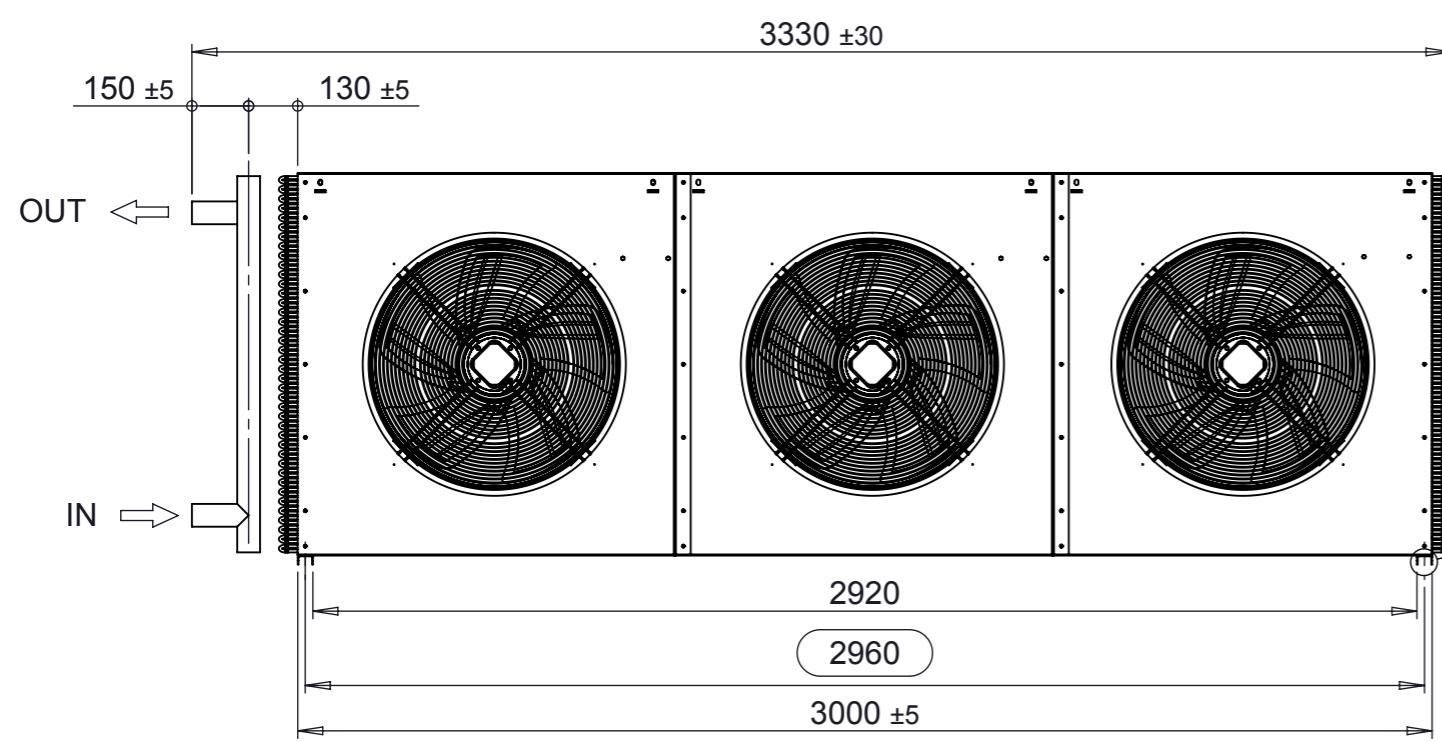
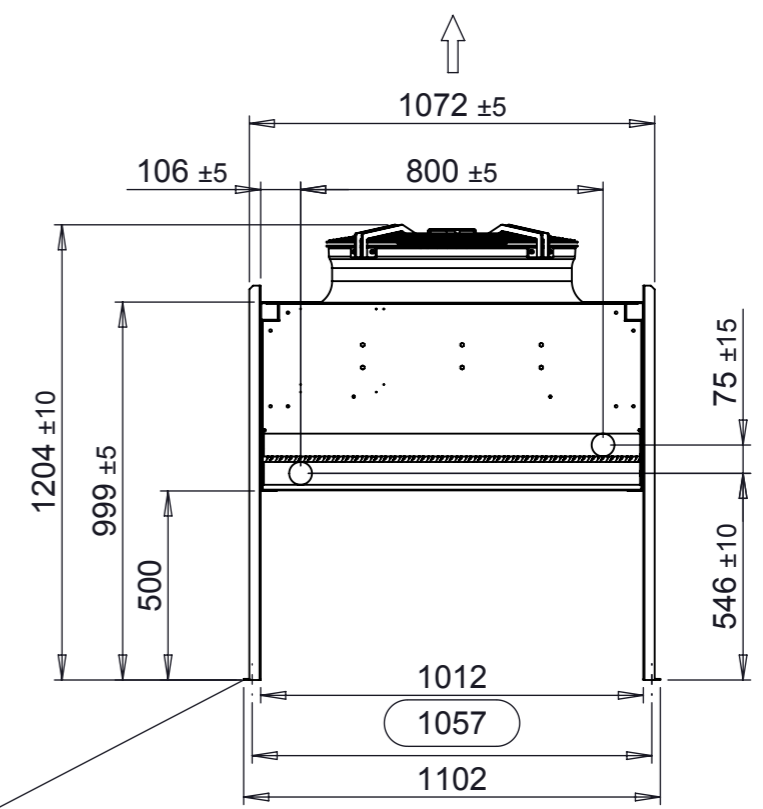

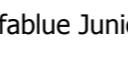


Feet for vertical air flow
n°4 fixing points Ø16



Feet for horizontal air flow
n°4 fixing points Ø14



00					
01	23.04.2015	Aggiornato quote ingombro fuori-tutto, aggiunto quote piedi intermedi	M. Montorio		
02	24.03.2017	Adjust connections position	M. Montorio		
REV	Date	Modifications	Revisor	Approved by	
 www.alfalaval.com			195.9Kg		mm
			Weight		Dimensions
M. Montorio		19.01.2015	M. Montorio	20/01/2015	Treatment
Drawn by		Date	Approved by	Date	
		Scale 1:20			
		Format A3			
Alfablue Junior 630					Associated / References to
Tolerance class M EN 22768-1 22768-2					Replaces
AlfaBlue Junior Dimension drawing					DG 633
					Article number
					-02
					REV

This document and its contents is owned by Alfa Laval AB (publ.) or its affiliates and protected by laws governing intellectual property and thereto related rights. Without limiting any rights related to this document, no part of this document may be copied, reproduced or transmitted in any form or by any means (electronic, mechanical, photocopying, recording, or otherwise), or for any purpose, without the expressed permission of Alfa Laval. Nor may it be used in any other way or for any other purpose than expressly permitted by Alfa Laval. Alfa Laval will enforce its rights related to this document to the fullest extent of the law, including the seeking of criminal prosecution.