

# Motorized defrost damper

## Assembly instructions

# 1 Important information



## 1.1 Disclaimer

This document is an annex to Arctigo ISD instruction manual and applies to motorized damper defrost option. This document is supplied in combination with the Air Cooler Product Manual and the Arctigo ISD instruction manual. All manuals must be carefully examined and instructions should be followed up at all times. Alfa LU-VE does not accept liability for any damage resulting from non-compliance to the instructions as given in the manuals and order-related documents.



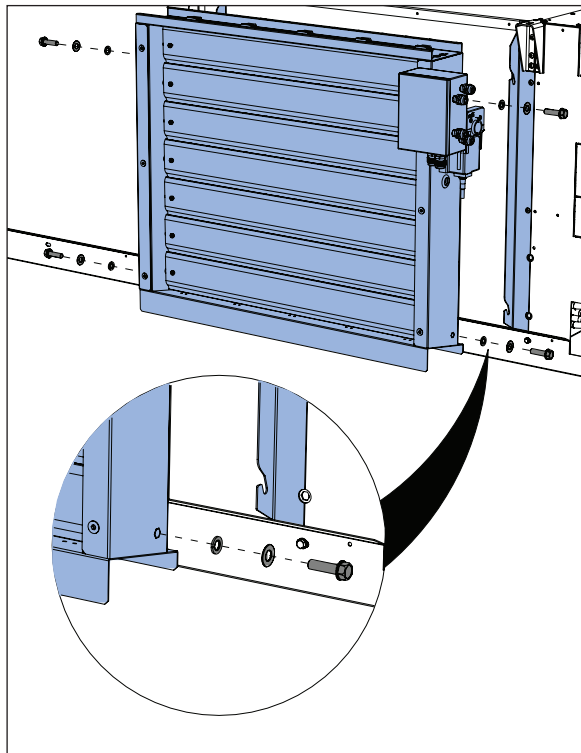
## 1.2 General information and application

Motorized damper are installed to adjust and defrost the airflow for applications at -30 °C.

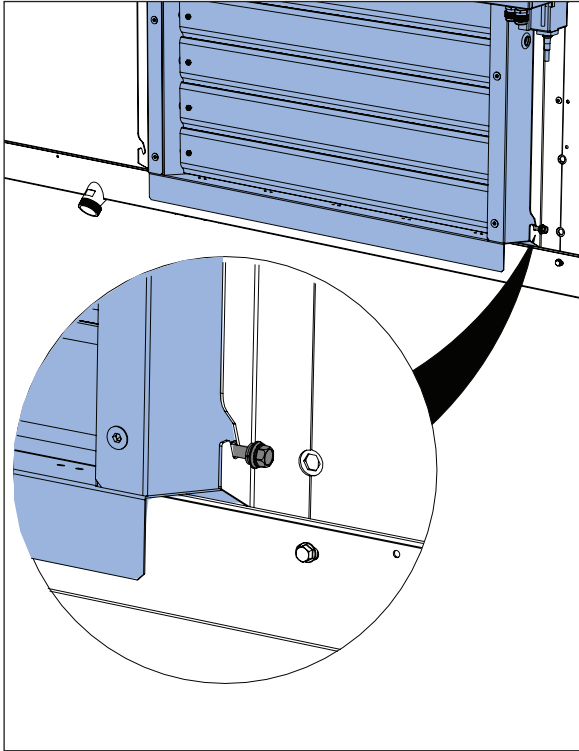


# 2 Installation

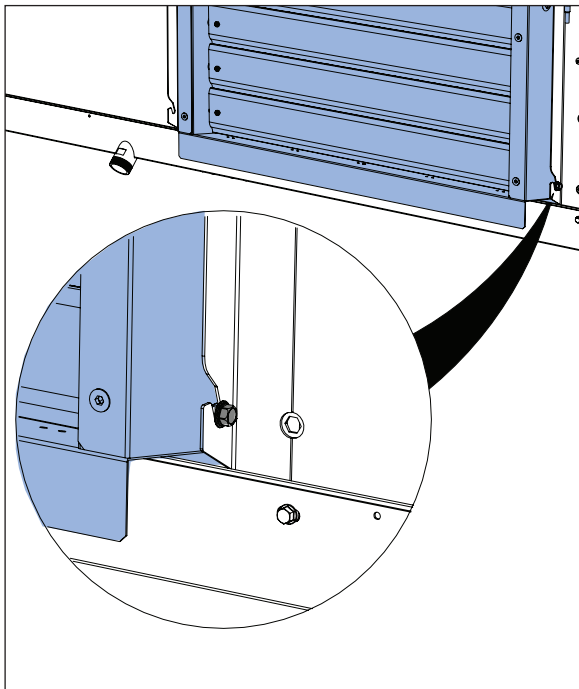
Place the dampers on air inlet side (coil side).



Place the supplied washers, growers and screws (2 per side).



Slot the screws into the sockets.



Fix the damper by tightening the 2 screws per side.

For electrical connections and maintenance operations please refer to the technical datasheet supplied in combination with the damper kit.



[alfa.luvegroup.com](http://alfa.luvegroup.com)