

Helpman TYR-C

Chilli coolers

General information & application

Chilli coolers Helpman TYR-C have been fully optimized in capacity, airflow and dimensions to meet the requirements for dried chilli storage facilities in India, the largest exporter of dried chilli in the world. Application of TYR-C chilli coolers warrants that the dried chillies are protected from moisture and kept in the best conditions to maintain optimum product quality during the storage period.

| | |
|-------------------------|---------------------------------|
| Evaporating temp. | +5 to -15 °C |
| Refrigerants | ammonia (R-717), HFO/HFC, brine |
| Capacities* | 21.3 to 28.4 kW |
| Chilli storage capacity | 1500-2000 MT/chamber |

*R-717 flooded, evap. temperature -5 °C, DT1=7K

Standard configuration

- Finned coil
 - Stainless steel tubing \varnothing 16 mm
 - Tube pitch 50 x 50 mm square
 - Corrugated Alu-fins, fin spacing 4 mm.
- Fitted with 2 or 3 blow-through fans \varnothing 508 mm, fan power 230/400/50/3. Enclosed design spray-tight fan motors, protection class IP55. Motors are equipped with a thermal safety device in the windings, connected to separate terminals in the box.
- Corrosion resistant casing material: Aluminium/Senzimir, white epoxy coated (RAL 9003).
- Extra wide driptray fitted with air guiding flaps to ensure an even air distribution throughout the storage room and maintain correct humidity level without chill injuries.
- Fitted with schröder valve on the suction connection for testing purposes.
- Stickers indicate fan direction and refrigerant in/out.
- Delivery in mounting position. Coolers are mounted on wooden beams. Installation can take place with use of a forklift.



TYR-C

Options

- Flange connections (F).
- Extra deep drip tray with additional water storage capacity.
- Extended mounting feet.

Design pressure

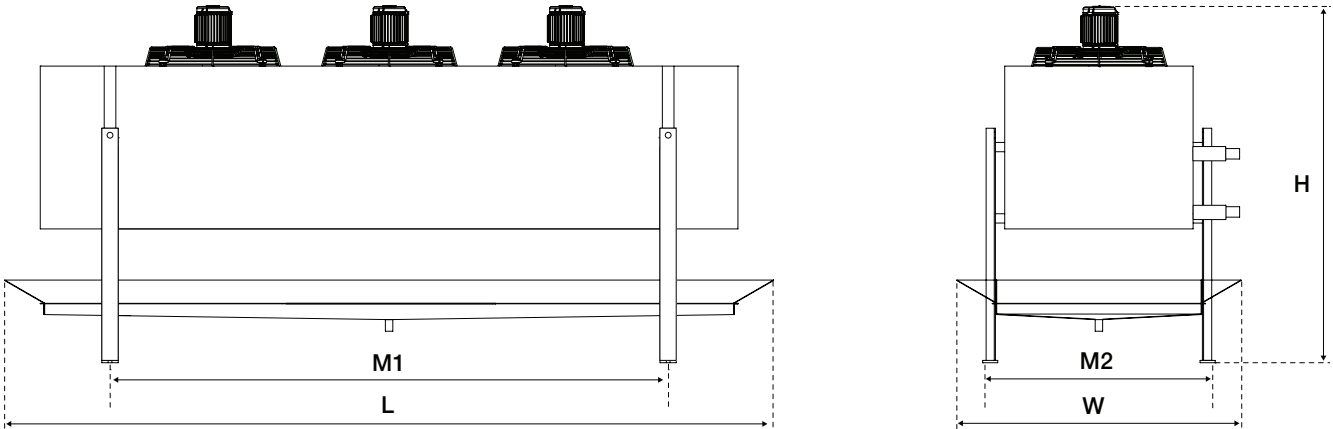
Design pressure 33 bar (HFO/HFC), 27 bar (ammonia) or 6 bar (brine). Higher design pressures on request. Each heat exchanger is leak tested with dry air and finally supplied with a nitrogen pre-charge.

Please contact our sales organisation for selection and full technical details.



| model | air volume | coil surface | int. vol. | Fans | | | | | Dimensions | | | | | Connections | |
|-----------|------------|--------------|-----------|---------|---------|--------------|-------------|----|------------|------|------|------|---------|-------------|------|
| | | | | power | | sound press. | sound power | L | W | H | M1 | M2 | suction | liquid | |
| | | | | nom/abs | no. | | | | | | | | | | Watt |
| TYR-C 224 | 13500 | 91.9 | 20 | 2 | 370/500 | 1.4 | 64.4 | 90 | 2450 | 1250 | 1500 | 1600 | 800 | 60 | 60 |
| TYR-C 236 | 18000 | 206.8 | 42 | 3 | 370/500 | 1.4 | 66.4 | 92 | 3450 | 1250 | 1500 | 2400 | 800 | 60 | 60 |

* A = Adjustment setting thermal relay (A)



Code description

| | | | | | | | |
|--------------|----------|----------|----------|---|----------|---|----------|
| TYR-C | 2 | 2 | 4 | - | 4 | - | * |
| 1 | 2 | 3 | 4 | | 5 | | 6 |

1 Chilli cooler
2 Cooler module (2)
3 Number of fans (2, 3)
4 Tube rows in air direction (4, 6 rows)
5 Fin spacing (4 mm)
6 Options

Benefits

- Application based air cooler design resulting in perfect product quality.
- Cooler dimensions optimized for most common storage facilities in India.
- Energy efficient fans with sufficient air volume.
- Heavy duty coil & casing materials, resulting in a long operational product life.
- Reliable performance.
- Easy-install.
- Low total cost of ownership.
- Two-year product guarantee.
- Easy access to additional on-line product information (QR code).



How to contact Alfa LU-VE

Up-to-date Alfa LU-VE contact details for all countries are always available on our website at alfa.luvegroup.com