

Dual discharge air coolers TYR-D

Industrial air coolers with stainless steel tubing



Contents

Code description	2
General information & application.....	3
Standard configuration.....	3
Options	3
Technical data	5
Fans.....	9
Defrost systems	10
Dimensions.....	11



Other TYR models

TYR

The TYR series is a wide and flexible range of industrial air coolers fitted with blow-through or draw-through fans. These models have been highly standardised in construction and dimensions, while maintaining flexibility in fin spacings, coil construction and circuiting design.



TYR-F

Air cooler models TYR-F have been optimized for the refrigerated storage of agricultural products. These cooler models are characterised by an optimised capacity/air volume ratio and a relatively low profile.



TYR-A

For airsock application Alfa LU-VE has developed a special airsock cooler range. These TYR-A models are fitted with an airsock ring and fan motors capable of supplying the extra external pressure that is required for the proper functioning of airsocks.



Code description

TYR-D	4	2	6	7	L	H1	400	-	*
1	2	3	4	5	6	7	8		9

- 1 Industrial dual discharge air cooler stainless steel tubing
- 2 Cooler module (2, 4, 6)
- 3 Number of fans (1 to 5)
- 4 Tube rows in air direction (4, 6, 8 rows)
- 5 Fin spacing (4, 7 mm)
- 6 Fan speed (L=1000, H=1500 rpm)
- 7 Circuiting design (H1, H2 ...)
- 8 Fan power supply (400=230/400/50/3, 230=230/50/1)
- 9 Options

All TYR, TYR-D, TYR-F and TYR-A models are also available with Cu tubing (THOR range).

Two-Year guarantee

Because Alfa LU-VE has the fullest confidence in the product quality, a two-year full guarantee is given.

General information & application

The Helpman TYR-D series is a wide and flexible range of heavy-duty dual discharge industrial air coolers for both cooling and freezing applications in medium to large cold rooms. Suitable for a wide range of applications with a special focus on meat storage, agricultural produce and processing rooms.

Evaporating temp.	+5 to -40 °C
Refrigerants	ammonia (R-717), all HFO/HFC, brine, CO ₂
Capacities (SC2)	4.5 up to 123 kW
Air volume	3,000 up to 60,000 m ³ /h

Standard configuration

- Finned coil
 - 3 coil block modules
 - 4, 6 or 8 tube rows deep
 - Stainless steel tubing Ø 16 mm
 - Tube pitch 50x50 mm square
 - Corrugated aluminium fins
 - Fin spacings 4 or 7 mm
- 1-5 fans, blowing through the coil, available in a range of different executions. Diameters Ø 457, Ø 508 or Ø 560 mm. Motor cables are led to the outside of the cooler casing. Fan motor protection class IP55. All models available in both high and low fan speed execution.
 - 1000 rpm = L design
 - 1500 rpm = H design
- Corrosion-resistant casing material: Aluminium/Senzimir, white epoxy coated (RAL 9003).
- Hinged, enclosed end covers.
- Hinged driptray with vertical drains 1¼" BSP male.
- Refrigerant distribution optimised to refrigerant applied.
- Fitted with schröder valve on the suction connection for testing purposes (not for R-717).
- Sufficient room for fitting the expansion valve inside.
- Suitable for dry expansion or pumped system. DX-coolers for halogen refrigerants are fitted with Cu-distributor.
- Stickers indicate fan direction and refrigerant in/out.
- Delivery in mounting position. Coolers are mounted on wooden beams. Installation can take place with use of a forklift.
- Design pressure 33 bar (HFO/HFC), 27 bar (ammonia) or 6 bar (brine). Higher design pressures on request. Each heat exchanger is leak tested with dry air and finally supplied with a nitrogen precharge.

Options

- Defrost system
 - Hot gas coil in driptray (G1)
 - Hot gas connected (G1C)
Hot gas coil in driptray connected to suction header, without non-return valve.
 - Hot glycol defrost (HW1, HW2)
 - Electric defrost (E1, E4)
Electric defrost for air coolers with pumped refrigerant circulation or in glycol execution on special request only.
- Fan ring heater (FRH)
- Driptray insulation
 - Styropore 10 mm + cladding (I2)
not in combination with electric defrost
 - Foamglass 25 mm + cladding (I3)
- Isolating switch - mounted (ISM)
- Horizontal drain
Hinged driptray with horizontal drain at the short side. Available for TYR-D up to 3 fans, but not in combination with driptray insulation I2/I3.
- Dual fan speed motors (Dahlander 1500/750)
Only available for modules 2 and 4. For this fan motor all table values for air volume need to be adjusted according to the following percentages:

Air flow	Module 2	Module 4
n = 1500 rpm	100 %	80 %
n = 750 rpm	50 %	40 %

- Secondary refrigerant
Air coolers for secondary refrigerant application can be selected with our selection software. Extra information on request.
- Stainless steel 304 casing (SSC)
- Hinged fan plate (HN)

Non-standard executions *(on request only)*

- Higher capacities
- Special fan motors
 - Dual fan speed motors
 - Variable fan speed motors
 - EC fans
 - Fan motors 254-280/440-480/60/3, 230/60/1 or 230-380/60/3
- Built in heater coil sections

Fan Ring Heater (FRH, 230 V)

incl. mounting gear		
Cooler module	Fan diameter mm	Ring heater power W
2	457	450
4	508	500
6	560	500

Drip tray insulation (I)

For specific operational conditions the air coolers can be fitted with drip tray insulation.

Insulation of the drip tray is recommended for air coolers with hot gas defrosting used at a room temperature below -5 °C.

For areas with high relative humidity it may also be necessary to insulate other parts of the casing. At extra cost this drip tray insulation can be combined with the usual epoxy coating.

Note : When selecting drip tray insulation the overall height "B" of the coolers (see page 11) increases by the thickness of the insulation material applied.

Dual discharge air coolers TYR-D

Technical data

Cooler model TYR-D	Air flow m ³ /h	Coil surface m ²	Int. vol. dm ³	Weight Kg	Dimensions		Fans			
					Length A mm	Height B mm	Cap. kW	Nr	Air throw m	Sound press dB(A)
Execution H (n = 1500 rpm), fin spacing 4 mm										
214 - 4 - H	4750	46.0	10	95	1250	385	0.25	1	14	59
216 - 4 - H	4650	68.9	15	110	1250	385	0.25	1	14	59
224 - 4 - H	9500	91.9	18	155	2050	385	0.25	2	14	62
226 - 4 - H	9300	137.9	27	185	2050	385	0.25	2	14	62
234 - 4 - H	14250	137.9	27	220	2850	385	0.25	3	14	64
236 - 4 - H	13950	206.8	40	265	2850	385	0.25	3	14	64
244 - 4 - H	19000	183.9	35	280	3650	385	0.25	4	14	65
246 - 4 - H	18600	275.8	52	340	3650	385	0.25	4	14	65
254 - 4 - H	23750	229.8	43	340	4450	385	0.25	5	14	66
256 - 4 - H	23250	344.7	65	420	4450	385	0.25	5	14	66
414 - 4 - H	7950	76.6	16	135	1450	485	0.55	1	18	62
416 - 4 - H	7600	114.9	23	160	1450	485	0.55	1	18	62
424 - 4 - H	15900	153.2	30	220	2450	485	0.55	2	18	65
426 - 4 - H	15200	229.8	44	275	2450	485	0.55	2	18	65
434 - 4 - H	23850	229.8	44	315	3450	485	0.55	3	18	67
436 - 4 - H	22800	344.7	65	390	3450	485	0.55	3	18	67
444 - 4 - H	31800	306.4	57	405	4450	485	0.55	4	18	68
446 - 4 - H	30400	459.6	86	510	4450	485	0.55	4	18	68
454 - 4 - H	39750	383.0	71	500	5450	485	0.55	5	18	69
456 - 4 - H	38000	574.6	107	625	5450	485	0.55	5	18	69
614 - 4 - H	12200	114.9	24	184	1650	585	1.50	1	20	65
616 - 4 - H	11650	172.4	41	240	1650	585	1.50	1	20	65
624 - 4 - H	24400	229.8	44	346	2850	585	1.50	2	20	68
626 - 4 - H	23300	344.7	70	450	2850	585	1.50	2	20	68
634 - 4 - H	36600	344.7	65	506	4050	585	1.50	3	20	70
636 - 4 - H	34950	517.1	98	650	4050	585	1.50	3	20	70
644 - 4 - H	48800	459.6	87	663	5250	585	1.50	4	20	71
646 - 4 - H	46600	689.5	127	853	5250	585	1.50	4	20	71
654 - 4 - H	61000	574.6	108	820	6450	585	1.50	5	20	72
656 - 4 - H	58250	861.8	156	1055	6450	585	1.50	5	20	72
Execution H (n = 1500 rpm), fin spacing 7 mm										
214 - 7 - H	5070	27.0	10	85	1250	385	0.25	1	14	59
216 - 7 - H	5025	40.6	15	100	1250	385	0.25	1	14	59
218 - 7 - H	4900	54.1	19	110	1250	385	0.25	1	14	59
224 - 7 - H	10130	54.1	18	135	2050	385	0.25	2	14	62
226 - 7 - H	10050	81.1	27	160	2050	385	0.25	2	14	62
228 - 7 - H	9800	108.2	36	180	2050	385	0.25	2	14	62
234 - 7 - H	15200	81.1	27	190	2850	385	0.25	3	14	64
236 - 7 - H	15075	121.7	40	220	2850	385	0.25	3	14	64
238 - 7 - H	14700	162.2	53	255	2850	385	0.25	3	14	64
244 - 7 - H	20260	108.2	35	245	3650	385	0.25	4	14	65
246 - 7 - H	20100	162.2	52	285	3650	385	0.25	4	14	65
248 - 7 - H	19600	216.3	69	330	3650	385	0.25	4	14	65
254 - 7 - H	25330	135.2	43	295	4450	385	0.25	5	14	66
256 - 7 - H	25125	202.8	65	350	4450	385	0.25	5	14	66
258 - 7 - H	24500	270.4	86	400	4450	385	0.25	5	14	66

Dual discharge air coolers TYR-D

Technical data

Cooler model TYR-D	Air flow m ³ /h	Coil surface m ²	Int. vol. dm ³	Weight Kg	Dimensions		Fans			
					Length A mm	Height B mm	Cap. kW	Nr	Air throw m	Sound press dB(A)
Execution H (n = 1500 rpm), fin spacing 7 mm										
414 - 7 - H	8470	45.1	16	120	1450	485	0.55	1	18	62
416 - 7 - H	8400	67.6	23	135	1450	485	0.55	1	18	62
418 - 7 - H	8000	90.1	31	155	1450	485	0.55	1	18	62
424 - 7 - H	16930	90.1	30	190	2450	485	0.55	2	18	65
426 - 7 - H	16800	135.2	44	225	2450	485	0.55	2	18	65
428 - 7 - H	16000	180.3	59	265	2450	485	0.55	2	18	65
434 - 7 - H	25400	135.2	44	270	3450	485	0.55	3	18	67
436 - 7 - H	25200	202.8	65	325	3450	485	0.55	3	18	67
438 - 7 - H	24000	270.4	87	375	3450	485	0.55	3	18	67
444 - 7 - H	33870	180.3	57	345	4450	485	0.55	4	18	68
446 - 7 - H	33600	270.4	86	415	4450	485	0.55	4	18	68
448 - 7 - H	32000	360.5	114	485	4450	485	0.55	4	18	68
454 - 7 - H	42340	225.3	71	425	5450	485	0.55	5	18	69
456 - 7 - H	42000	338.0	107	510	5450	485	0.55	5	18	69
458 - 7 - H	40000	450.7	142	600	5450	485	0.55	5	18	69
614 - 7 - H	12800	67.6	24	175	1650	585	1.50	1	20	65
616 - 7 - H	12400	101.4	41	204	1650	585	1.50	1	20	65
618 - 7 - H	12000	135.2	54	234	1650	585	1.50	1	20	65
624 - 7 - H	25600	135.2	44	297	2850	585	1.50	2	20	68
626 - 7 - H	24800	202.8	70	368	2850	585	1.50	2	20	68
628 - 7 - H	24000	270.4	93	442	2850	585	1.50	2	20	68
634 - 7 - H	38400	202.8	65	430	4050	585	1.50	3	20	70
636 - 7 - H	37200	304.2	98	535	4050	585	1.50	3	20	70
638 - 7 - H	36000	405.6	131	640	4050	585	1.50	3	20	70
644 - 7 - H	51200	270.4	87	563	5250	585	1.50	4	20	71
646 - 7 - H	49600	405.6	127	700	5250	585	1.50	4	20	71
648 - 7 - H	48000	540.8	170	840	5250	585	1.50	4	20	71
654 - 7 - H	64000	338.0	108	695	6450	585	1.50	5	20	72
656 - 7 - H	62000	507.0	156	867	6450	585	1.50	5	20	72
658 - 7 - H	60000	676.0	208	973	6450	585	1.50	5	20	72

Dual discharge air coolers TYR-D

Technical data

Cooler model TYR-D	Air flow m ³ /h	Coil surface m ²	Int. vol. dm ³	Weight Kg	Dimensions		Cap. kW	Fans		Sound press dB(A)
					Length A mm	Height B mm		Nr	Air throw m	
Execution L (n = 1000 rpm), fin spacing 4 mm										
214 - 4 - L	3050	46.0	10	95	1250	385	0.25	1	8	52
216 - 4 - L	2950	68.9	15	110	1250	385	0.25	1	8	52
224 - 4 - L	6100	91.9	18	155	2050	385	0.25	2	8	55
226 - 4 - L	5900	137.9	27	185	2050	385	0.25	2	8	55
234 - 4 - L	9150	137.9	27	220	2850	385	0.25	3	8	57
236 - 4 - L	8850	206.8	40	265	2850	385	0.25	3	8	57
244 - 4 - L	12200	183.9	35	280	3650	385	0.25	4	8	58
246 - 4 - L	11800	275.8	52	340	3650	385	0.25	4	8	58
254 - 4 - L	15250	229.8	43	340	4450	385	0.25	5	8	59
256 - 4 - L	14750	344.7	65	420	4450	385	0.25	5	8	59
414 - 4 - L	5150	76.6	16	135	1450	485	0.25	1	12	54
416 - 4 - L	4950	114.9	23	160	1450	485	0.25	1	12	54
424 - 4 - L	10300	153.2	30	220	2450	485	0.25	2	12	57
426 - 4 - L	9900	229.8	44	275	2450	485	0.25	2	12	57
434 - 4 - L	15450	229.8	44	315	3450	485	0.25	3	12	59
436 - 4 - L	14850	344.7	65	390	3450	485	0.25	3	12	59
444 - 4 - L	20600	306.4	57	405	4450	485	0.25	4	12	60
446 - 4 - L	19800	459.6	86	510	4450	485	0.25	4	12	60
454 - 4 - L	25750	383.0	71	500	5450	485	0.25	5	12	61
456 - 4 - L	24750	574.6	107	625	5450	485	0.25	5	12	61
614 - 4 - L	8050	114.9	24	184	1650	585	0.45	1	14	58
616 - 4 - L	7800	172.4	41	240	1650	585	0.45	1	14	58
624 - 4 - L	16100	229.8	44	346	2850	585	0.45	2	14	61
626 - 4 - L	15600	344.7	70	450	2850	585	0.45	2	14	61
634 - 4 - L	24150	344.7	65	506	4050	585	0.45	3	14	63
636 - 4 - L	23400	517.1	98	650	4050	585	0.45	3	14	63
644 - 4 - L	32200	459.6	87	663	5250	585	0.45	4	14	64
646 - 4 - L	31200	689.5	127	853	5250	585	0.45	4	14	64
654 - 4 - L	40250	574.6	108	820	6450	585	0.45	5	14	65
656 - 4 - L	39000	861.8	156	1055	6450	585	0.45	5	14	65

Dual discharge air coolers TYR-D

Technical data

Cooler model TYR-D	Air flow m ³ /h	Coil surface m ²	Int. vol. dm ³	Weight Kg	Dimensions		Fans			
					Length A mm	Height B mm	Cap. kW	Nr	Air throw m	Sound press dB(A)
Execution L (n = 1000 rpm), fin spacing 7 mm										
214 - 7 - L	3230	27.0	10	85	1250	385	0.25	1	8	52
216 - 7 - L	3200	40.6	15	100	1250	385	0.25	1	8	52
218 - 7 - L	3100	54.1	19	110	1250	385	0.25	1	8	52
224 - 7 - L	6450	54.1	18	135	2050	385	0.25	2	8	55
226 - 7 - L	6400	81.1	27	160	2050	385	0.25	2	8	55
228 - 7 - L	6200	108.2	36	180	2050	385	0.25	2	8	55
234 - 7 - L	9680	81.1	27	190	2850	385	0.25	3	8	57
236 - 7 - L	9600	121.7	40	220	2850	385	0.25	3	8	57
238 - 7 - L	9300	162.2	53	255	2850	385	0.25	3	8	57
244 - 7 - L	12900	108.2	35	245	3650	385	0.25	4	8	58
246 - 7 - L	12800	162.2	52	285	3650	385	0.25	4	8	58
248 - 7 - L	12400	216.3	69	330	3650	385	0.25	4	8	58
254 - 7 - L	16130	135.2	43	295	4450	385	0.25	5	8	59
256 - 7 - L	16000	202.8	65	350	4450	385	0.25	5	8	59
258 - 7 - L	15500	270.4	86	400	4450	385	0.25	5	8	59
414 - 7 - L	5440	45.1	16	120	1450	485	0.25	1	12	54
416 - 7 - L	5400	67.6	23	135	1450	485	0.25	1	12	54
418 - 7 - L	5200	90.1	31	155	1450	485	0.25	1	12	54
424 - 7 - L	10890	90.1	30	190	2450	485	0.25	2	12	57
426 - 7 - L	10800	135.2	44	225	2450	485	0.25	2	12	57
428 - 7 - L	10400	180.3	59	265	2450	485	0.25	2	12	57
434 - 7 - L	16330	135.2	44	270	3450	485	0.25	3	12	59
436 - 7 - L	16200	202.8	65	325	3450	485	0.25	3	12	59
438 - 7 - L	15600	270.4	87	375	3450	485	0.25	3	12	59
444 - 7 - L	21770	180.3	57	345	4450	485	0.25	4	12	60
446 - 7 - L	21600	270.4	86	415	4450	485	0.25	4	12	60
448 - 7 - L	20800	360.5	114	485	4450	485	0.25	4	12	60
454 - 7 - L	27220	225.3	71	425	5450	485	0.25	5	12	61
456 - 7 - L	27000	338.0	107	510	5450	485	0.25	5	12	61
458 - 7 - L	26000	450.7	142	600	5450	485	0.25	5	12	61
614 - 7 - L	8400	67.6	24	175	1650	585	0.45	1	14	58
616 - 7 - L	8150	101.4	41	204	1650	585	0.45	1	14	58
618 - 7 - L	7900	135.2	54	234	1650	585	0.45	1	14	58
624 - 7 - L	16800	135.2	44	297	2850	585	0.45	2	14	61
626 - 7 - L	16300	202.8	70	368	2850	585	0.45	2	14	61
628 - 7 - L	15800	270.4	93	442	2850	585	0.45	2	14	61
634 - 7 - L	25200	202.8	65	430	4050	585	0.45	3	14	63
636 - 7 - L	24450	304.2	98	535	4050	585	0.45	3	14	63
638 - 7 - L	23700	405.6	131	640	4050	585	0.45	3	14	63
644 - 7 - L	33600	270.4	87	563	5250	585	0.45	4	14	64
646 - 7 - L	32600	405.6	127	700	5250	585	0.45	4	14	64
648 - 7 - L	31600	540.8	170	840	5250	585	0.45	4	14	64
654 - 7 - L	42000	338.0	108	695	6450	585	0.45	5	14	65
656 - 7 - L	40750	507.0	156	867	6450	585	0.45	5	14	65
658 - 7 - L	39500	676.0	208	973	6450	585	0.45	5	14	65

Dual discharge air coolers TYR-D

Fans

In view of its flexible construction, in principle TYR can be supplied with any desired fan.

Depending on the application there is a standard series of fans which match TYR-D perfectly.

These fans can be supplied in both blow-through and draw-through versions.

Execution

Fans are executed with balanced aluminium or polyamide fan blades, fitted with robust electrolytically galvanized and epoxy coated fan guards according to DIN 31001. Fans are mounted in vibration dampers.

Enclosed design spray-tight motors, protection class IP55. Motor cables are lead to the outside of the cooler casing.

All motors, with the exception of the 0.18 kW, 230/50/1 motor, are equipped with a thermal safety device built in the windings, connected to separate terminals in the box.

This safety device can therefore be integrated into the control circuit. The electrical control should be arranged preferably with a manual reset device in order to prevent continuous on/off switching (tripping) of the motors. Cable inlet ranges from 7 up to 12 mm.

Air throw

Air throws as given in the tables are for ceiling mounted coolers at $t = 20\text{ }^{\circ}\text{C}$, an unrestrained air flow in the cold room and a minimal air velocity of 0.25 m/s at air throw distance.

Air throw values in the tables are single sided values. Please keep in mind that TYR-D coolers are designed for dual air discharge, so cold air is discharged at the given air throw distance to both sides of the cooler.

Sound pressure dB(A)

Sound pressure Sound pressure as given in the tables are sound pressure levels in dB(A) according to EN 13487 at 5 m distance in free field conditions. Values may deviate depending on situations at site. The table below gives calculated sound pressure corrections at various distances.

Distance m	Correction dB(A)
1	+14
2	+8
3	+4
4	+2
5	0
10	-6
20	-12
50	-20

Fans 50 Hz

Fan motor W	Motor voltage* V	Electric capacity		Adj values overload relays A			Cable inlet
		nom. kW	abs. kW***	0 °C	-20 °C	-40 °C	
Execution H, nominal fan speed 1500 rpm							
250	230/400/3	0.25	0.37	1.1	1.1	1.2	2 x M20 x 1.5
220	230/1	0.22	0.37	2.6	2.8	2.9	2 x M20 x 1.5
550	230/400/3	0.55	0.70	1.7	1.8	2.0	2 x M20 x 1.5
550	230/1	0.55	0.70	5.5	6.0	6.2	2 x M20 x 1.5
1500	230/400/3	1.50	1.50	4.3	4.6	4.9	2 x M20 x 1.5
Execution L, nominal fan speed 1000 rpm							
250	230/400/3	0.25	0.25	1.1	1.1	1.2	2 x M20 x 1.5
180	230/1**	0.18	0.35	2.4	2.5	-	2 x M20 x 1.5
450	230/400/3	0.45	0.45	1.9	2.0	2.2	2 x M20 x 1.5
Execution with 2-speed fan motors, n = 1500 / 750 rpm, Dahlander connection							
370/60	400/3	0.37	0.48	1.4	1.6		2 x M20 x 1.5
		0.06	0.20	0.6	0.6		

* Motor windings 230 V.

** These 230/50/1 motors are suitable for temperatures down to -20 °C and are not provided with a thermal safety device in the windings.

*** Absorbed fan motor energy is measured in under laboratory conditions at ambient temperature 20 °C. These values may vary depending on local conditions.

Dual discharge air coolers TYR-D

Defrost Systems

Several forced defrost systems are available. Each defrost system is optimised for specific applications and ambient conditions.

Electric Defrost (E)

Stainless steel heater elements placed in additional tubes between the evaporator tubes. The elements for the drip tray are fitted to the bottom of the inner tray. Both coil and drip tray have the same elements.

Standard voltage per element 230 V.

Connection to 230 V/1 phase or 400 V/3 phase, connected in star with Zero-Wire.

Total defrost power is given for 400 V/3 phase with Zero-Wire.

All elements can be withdrawn at the refrigerant connection side. The drip tray elements can be taken out after removal of the outer tray. The heater elements are pre-wired and are connected to one or more terminal boxes.

Depending on the ambient temperature and air humidity a number of E-executions are available.

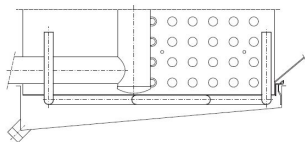
- E1** Air on temperature down to -25 °C.
Electric stainless steel defrost elements in the drip tray. For use in combination with for example hot gas defrost in the coil block.
- E1 + I3** Air on temperature down to -35 °C.
E1, additionally equipped with an insulated double drip tray. Recommended for general use in the low-temperature region.
- E4** Air on temperature down to -5 °C.
Electric stainless steel defrost elements in the coil block and drip tray, low duty.

Hot Gas Defrost (G)

The drip tray can be fitted with a defrost coil (G) to bring it rapidly up to temperature by means of hot gas.

The following G-system is available:

- G1** Air on temperature down to -5 °C.
Defrost coil under the coil block.



Hot Glycol Defrost (HW)

- HW1** Hot glycol defrost in coil and drip tray.
High temperatures.
- HW2** Hot glycol defrost in coil and drip tray.
Low temperatures.

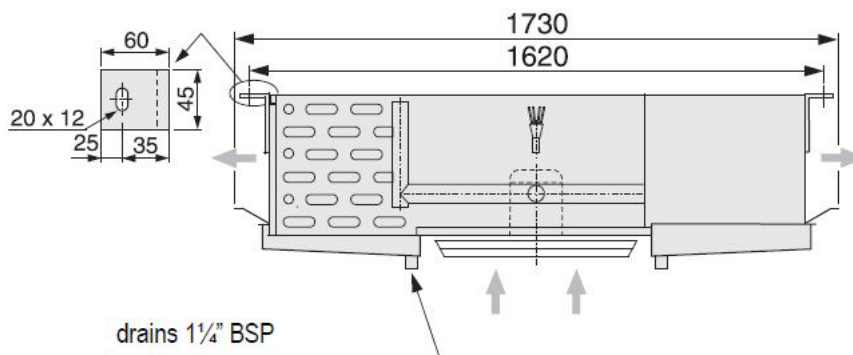
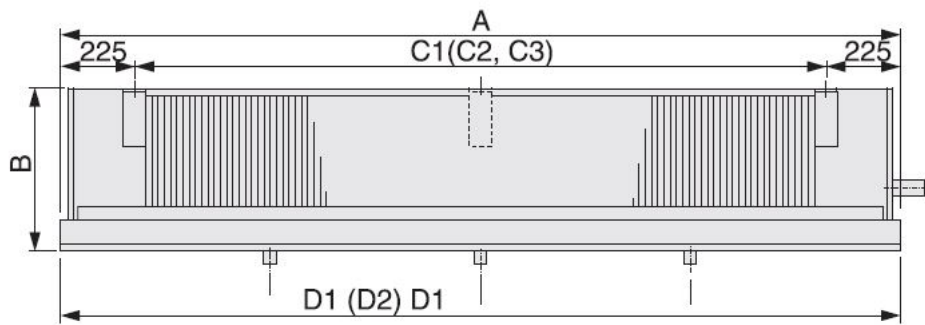
Defrost capacity

Cooler model TYR-D	Element article number	E1		E4		
		number of elements	cap. kW	number of elements coil	tray	cap. kW
214	33.03.21	2	2.1	4	2	6.4
224	33.03.31	2	4.0	4	2	12.1
234	33.03.39	2	6.0	4	2	17.9
244	33.03.45	2	7.9	4	2	23.6
254	33.03.52	4	9.8	8	4	29.4
414	33.03.24	2	2.4	4	2	7.3
424	33.03.36	2	4.9	4	2	14.7
434	33.03.43	2	7.4	4	2	22.2
444	33.03.52	4	9.8	8	4	29.4
454	33.03.60	4	12.2	8	4	36.6
614	33.03.27	2	3.1	4	2	9.3
624	33.03.39	2	6.0	4	2	18.0
634	33.03.48	2	6.0	4	2	26.4
644	33.03.58	4	11.7	8	4	35.1
654	33.04.64	4	14.6	8	4	43.8
216	33.03.21	2	2.1	4	2	6.4
226	33.03.31	2	4.0	4	2	12.1
236	33.03.39	2	6.0	4	2	17.9
246	33.03.45	2	7.9	4	2	23.6
256	33.03.52	4	9.8	8	4	29.4
416	33.03.24	2	2.4	6	2	9.8
426	33.03.36	2	4.9	6	2	19.6
436	33.03.43	2	7.4	6	2	29.6
446	33.03.52	4	9.8	12	4	39.2
456	33.03.60	4	12.2	12	4	48.8
616	33.03.27	2	3.1	6	2	12.4
626	33.03.39	2	6.0	6	2	24.0
636	33.03.48	2	6.0	6	2	35.2
646	33.03.58	4	11.7	12	4	46.8
656	33.04.64	4	14.6	12	4	58.4
218	33.03.21	2	2.1	6	2	8.4
228	33.03.31	2	4.0	6	2	16.2
238	33.03.39	2	6.0	6	2	24.0
248	33.03.45	2	7.9	6	2	31.7
258	33.03.52	4	9.8	12	4	39.2
418	33.03.24	2	2.4	8	2	12.2
428	33.03.36	2	4.9	8	2	24.6
438	33.03.43	2	7.4	8	2	37.0
448	33.03.52	4	9.8	16	4	49.0
458	33.03.60	4	12.2	16	4	61.0
618	33.03.27	2	3.1	8	2	15.5
628	33.03.39	2	6.0	8	2	30.0
638	33.03.48	2	6.0	8	2	44.0
648	33.03.58	4	11.7	16	4	58.5
658	33.04.64	4	14.6	16	4	73.0

Dual discharge air coolers TYR-D

Dimensions

Cooler model TYR-D	Dimensions (mm)								
	A	B	C1	C2	C3	C4	C5	D1	D2
21*	1250	385	800					625	
22*	2050	385	1600					1025	
23*	2850	385	2400					1425	
24*	3650	385	1600	1600				1025	1600
25*	4450	385	2400	1600				1425	1600
41*	1450	485	1000					725	
42*	2450	485	2000					1225	
43*	3450	485	2000	1000				975	1500
44*	4450	485	2000	2000				1225	2000
45*	5450	485	2000	1000	2000			1475	2500
61*	1650	585	1200					825	
62*	2850	585	2400					1425	
63*	4050	585	1200	1200	1200			1025	2000
64*	5250	585	1200	2400	1200			1325	2600
65*	6450	585	1200	1200	1200	1200	1200	1475	3500



Alfa LU-VE in brief

Alfa LU-VE is a leading global provider of specialized products and engineered solutions.

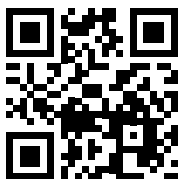
Our equipment, systems and services are dedicated to helping customers optimize the performance of their processes.

We help our customers to cool products such as oil, water, chemicals, beverages, foodstuffs and pharmaceuticals. Our worldwide organization works closely with customers to help them stay ahead.

How to contact Alfa LU-VE

Up-to-date contact details are always available on our website at alfa.luvegroup.com.

You can also download product information and selection software.



alfa.luvegroup.com

Alfa LU-VE partner

