

# Alfa-V Single Row VXM

Air-cooled CO<sub>2</sub> gas coolers - commercial V-range

## General information & application

CO<sub>2</sub> gas coolers replace traditional air cooled condensers in refrigerating systems that have been designed for the use of CO<sub>2</sub> as a single refrigerant. Such installations are getting more and more widely used in f.i. commercial supermarket applications. Alfa-V Single Row has been specifically designed for commercial refrigeration and air conditioning. The V-angle with its exceptional guiding optimizes airflow and low coil resistance reduces energy consumption of the fan motors. Its main purpose is to reject small to medium heat loads in a modest footprint. Alfa LU-VE offers a wide range of CO<sub>2</sub> gas coolers with capacities ranging from 15 up to 750 kW.

Alfa LU-VE CO <sub>2</sub> gas coolers	Capacity range*
<b>Alfa-V Single Row</b>	<b>42-370 kW</b>
AlfaBlue Junior	15-180 kW
AlfaBlue	20-450 kW
Alfa-V	50-750 kW

\* air temperature = 35 °C, CO<sub>2</sub> at 90 bar, gas temperature in/out = 120/38 °C

## Coil

An innovative coil design based on small diameter copper tubes and corrugated aluminium turbo fins provides excellent heat transfer at a minimized refrigerant charge. Circuiting design is fully optimized to the thermodynamic properties of CO<sub>2</sub>.

## Casing

Casing material is galvanized steel sheet, pre-painted with an epoxy finish (RAL9002). Separated fan sections.

## Fan motors

ErP compliant fan AC & EC motors, available in two fan diameters (800 & 910 mm) and different noise levels. Motors with external rotor, protection class IP54 according to DIN 40050. AC power supplies 400/50/3 and 460/60/3 with integrated thermal protection by thermo contacts provides reliable protection against thermal overload. EC power supply 400/50/3. Motors are wired to one or more common terminal boxes.



Alfa-V Single Row gas cooler

## Options

- Fin spacing up to 3.0 mm
- Coil corrosion protection
  - Epoxy coated aluminium fin (EP)
  - F-coat (FC)
- Vibration dampers (VD)
- Special fan motors
  - Protection class IP55
  - High-temperature motors
- Electrical options
  - Isolating switch (SW)
  - EC motors wired to a common terminal box (CBP)

## Design pressure

Design pressure 120 bar. Each heat exchanger is leak tested with dry air and finally supplied with a nitrogen pre-charge.

## Selection

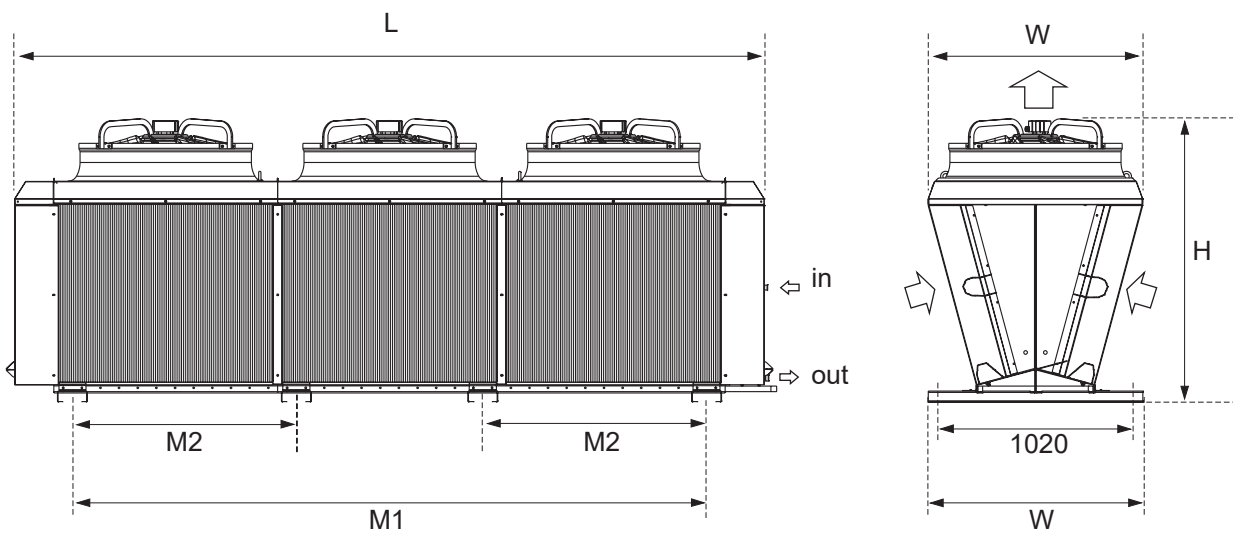
Selection and pricing is to be performed with our Alfa LU-VE air heat exchanger selection software Plair. Selection output includes all relevant technical data and dimensional drawings.

## Certifications

The Alfa LU-VE quality system is in accordance with ISO 9001. All products are manufactured according to PED rules.



Model	Fans no.	Transport dimensions			Weight Kg	Mounting channels		
		Length L mm	Height H mm	Width W mm		no.	M1 mm	M2 mm
VXM 801	1	1635	1451	1150	230	2	800	-
VXM 802	2	2635	1451	1150	393	2	1800	-
VXM 803	3	3635	1451	1150	557	4	2800	800
VXM 804	4	4635	1451	1150	721	4	3800	1000
VXM 805	5	5635	1451	1150	885	4	4800	1800
VXM 806	6	6635	1451	1150	1049	4	5800	1800
VXM 901	1	1836	1520	1150	260	2	1000	-
VXM 902	2	3036	1520	1150	480	2	2200	-
VXM 903	3	4236	1520	1150	700	4	3400	1200
VXM 904	4	5436	1520	1150	920	4	4600	1300
VXM 905	5	6636	1520	1150	1140	4	5800	2200



### Code description

VXM	S	80	2	B	D	*	*	-	AL	2.1	K65	*
1	2	3	4	5	6	7	8		9	10	11	12

- 1 Alfa-V single row gas cooler
- 2 Sound level/fan code (S=standard, L=low, Q=quiet, R=residential)
- 3 Fan diameter (80=800 mm, 90=910 mm)
- 4 Number of fans (1 to 6)
- 5 Tube rows code (A, B, C)
- 6 Fan motor connection (D=delta, Y=star)
- 7 No of circuits
- 8 Electrical accessories
- 9 Fin material/coating (AL=aluminium, EP=epoxy coated aluminium, FC=F-coat, CU=copper)
- 10 Fin spacing (2.1, 2.5, 3.0 mm)
- 11 Tube material (K65=K65 copper)
- 12 Options

### Benefits

- Reduced refrigerant charge
- Excellent sound characteristics, suitable for residential applications
- Reliable performance
- Easy installation & maintenance
- Energy efficient - low total cost of ownership
- Adjustable mounting feet
- Modern design
- Heavy duty materials for a long product life
- Two-year product guarantee
- Easy access to additional on-line product information (QR code)



Alfa-V single row VXU

### How to contact Alfa LU-VE

Up-to-date Alfa LU-VE contact details for all countries are always available on our website at [alfa.luvegroup.com](http://alfa.luvegroup.com)