

AlfaBlue



AlfaBlue Junior XG

Benefits

- Fully optimized design for CO₂
- Reduced refrigerant charge
- Excellent sound characteristics, suitable for residential applications
- Energy efficient

General information & application

AlfaBlue Junior is a competitive gas cooler line that offers excellent performance, allowing easy installation on site and an outstanding integration with other components. High efficient fan motors combine excellent sound characteristics and low energy consumption. AlfaBlue Junior XG gas coolers have been specifically designed for CO₂ refrigerant systems.

| | |
|--|------------------|
| Refrigerants | CO ₂ |
| Capacities* | 3.2 up to 230 kW |
| * air temperature = 35 °C, CO ₂ at 90 bar, gas temperature in/out = 120/38 °C | |

Standard configuration

- **Finned coil**
An innovative coil design based on K65 tubes, Cu alloy connections and aluminium turbo fins, provides excellent heat transfer. Standard fin spacing 2.1 mm. Circuiting design is fully optimized to the thermodynamic properties of CO₂. Each heat exchanger is leak tested with high pressure nitrogen and finally supplied with a nitrogen pre-charge.
- **Construction**
Patented coil frame design allowing thermal expansion and offering protection against vibration. Corrosion resistant casing material, powder coated RAL9002. Separated fan sections.
- **Fans**
High efficiency AC or EC fans and low power consumption. Available in three fan diameters 350, 500 & 630 mm, different power supplies (230/50-60/1, 400/50/3, 480/60/3) and four noise levels. Protection class IP54 according to DIN 40050. AC motors are fitted with integrated thermo contacts to provide reliable protection against thermal overload (terminals in the box).
- **Packing**
All units are packed and shipped in horizontal airflow position. AlfaBlue Junior 351, 352, 353, 501 & 502 units are mounted on a wooden pallet and covered with a sturdy cardboard box. All other models are mounted on a wooden pallet, wrapped with plastic foil and covered with an open crate.
- **Design pressure**
Design pressure 120 bar.



AlfaBlue Junior XG

CO₂ gas coolers - commercial range

Options

- Switch on/off (SW)
- Connection box for electrical power connection (CB)
- Fan speed control 230/1 and 400/3 (FP)
- Coil options:
 - Epoxy coated fins (EP)
 - Seawater resistant aluminium AlMg fins (SWR)
 - Copper fins (CU)
 - F-coat treatment (FC)
 - Industrial fins (IF)
 - Fin spacing 2.5 mm (other fin spacings on request)
- Vibration dampers (VD)
- End covers (CV)
- Mounting feet kit for vertical airflow
- Stainless steel header tubes for on-site welding connections

Dimensions

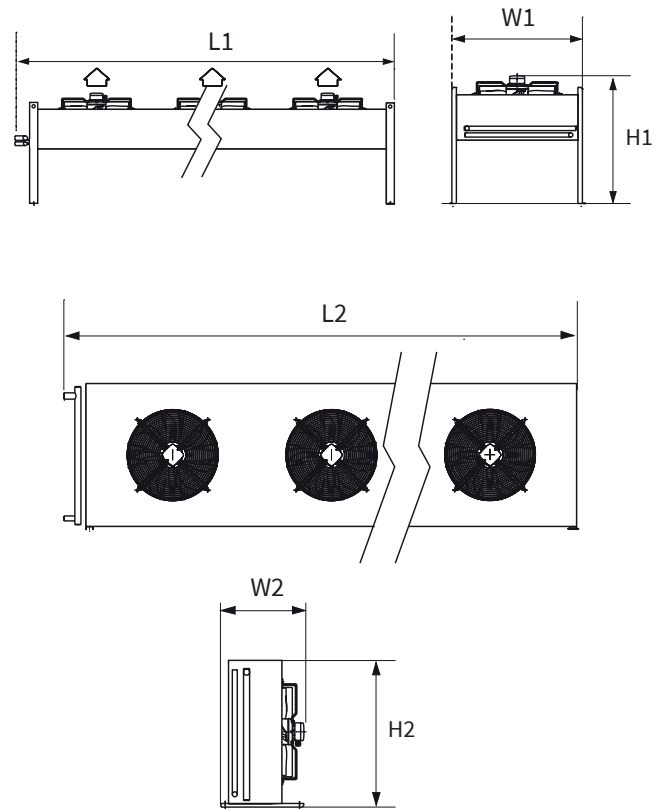
| XG | type | fans | Dimensions (mm)* | | | | | |
|-----|------|------|------------------|------|------|------|------|-----|
| | | | L1 | H1 | W1 | L2 | H2 | W2 |
| 351 | 1 | 1 | 820 | 600 | 548 | 820 | 529 | 390 |
| 352 | 2 | 2 | 1420 | 600 | 548 | 1420 | 529 | 390 |
| 353 | 3 | 3 | 2020 | 600 | 548 | 2020 | 529 | 390 |
| 501 | 1 | 1 | 1165 | 890 | 899 | 1165 | 826 | 512 |
| 502 | 2 | 2 | 2065 | 890 | 899 | 2065 | 826 | 512 |
| 503 | 3 | 3 | 2965 | 890 | 899 | 2965 | 826 | 512 |
| 504 | 4 | 4 | 3865 | 890 | 899 | 3865 | 826 | 512 |
| 631 | 1 | 1 | 1265 | 1204 | 1102 | 1265 | 1036 | 760 |
| 632 | 2 | 2 | 2265 | 1204 | 1102 | 2265 | 1036 | 760 |
| 633 | 3 | 3 | 3265 | 1204 | 1102 | 3265 | 1036 | 760 |
| 634 | 4 | 4 | 4265 | 1204 | 1102 | 4265 | 1036 | 760 |
| 635 | 5 | 5 | 5265 | 1204 | 1102 | 5265 | 1036 | 760 |
| 636 | 6 | 6 | 6265 | 1204 | 1102 | 6265 | 1036 | 760 |

Selection

Selection and pricing is to be performed with our online air heat exchanger selection software [Plair](#). Selection output includes all relevant technical data and dimensional drawings.

Certifications

The Alfa LU-VE quality system is in accordance with ISO 9001. All products are manufactured according to PED regulations.



Code description

| | | | | | | | | | | | | | | | |
|----|----|----|---|----|---|---|---|-----|----|----|---|----|-----|-----|----|
| XG | SE | 50 | 2 | .1 | B | D | 6 | H/V | BO | * | - | AL | 2.1 | K65 | * |
| 1 | 2 | 3 | 4 | 5 | 6 | 7 | 8 | 9 | 10 | 11 | | 12 | 13 | 14 | 15 |

- AlfaBlue Junior gas cooler
- Sound level/fan code (T=high performance, S=standard, L=low, Q=quiet, R=residential, E=EC fan motor)
- Fan diameter (35=350, 50=500, 63=630 mm)
- No. of fans (1 to 6)
- Version number
- Tube rows code (A, B, C)
- No. of phases (S=1 ph, D=3 ph D connection, Y=3 ph Y connection)
- No. of circuits
- Units are suitable for both horizontal and vertical airflow (mounting feet kit required for vertical airflow setup)
- Packing (BO=box, CR=crate)
- Options
- Fin material/coating (AL=aluminum, IF=industrial fins, SWR=AlMg2.5, CU=Copper, EP=epoxy coated aluminum, FC=F-coat)
- Fin spacing (2.1, 2.5 mm)
- Tube material (K65=copper K65)
- Options

31617746EN-00

Alfa LU-VE is a trademark registered and owned by LU-VE Group. Alfa LU-VE reserves the right to change specifications without prior notification.

