

# ARCTIGO IS - EC motors 3-phase

drawing number: 9460144681



alfa.luvegroup.com

### BOARD RATED VALUE

VOLTAGE DC	---
VOLTAGE AC	400 Vac $\pm$ 10%
FREQUENCY	50 - 60 Hz $\pm$ 2%
POWER MAX	24,5 KW
SHORT CIRCUIT CURRENT (Icc)	
IP DEGREE WITH CLOSED DOORS	IP54
IP DEGREE WITH OPENED DOORS	IP20

This document and its contents is owned by LU-VE Group or its affiliates and protected by laws governing intellectual property and thereto related rights. Without limiting any rights related to this document, no part of this document may be copied, reproduced or transmitted in any form or by any means (electronic, mechanical, photocopying, recording, or otherwise), or for any purpose, without the expressed permission of LU-VE Group. Nor may it be used in any other way or for any other purpose than expressly permitted by LU-VE Group. LU-VE Group will enforce its rights related to this document to the fullest extent of the law, including the seeking of criminal prosecution.

07	Added new signal cable	09/06/2022	PCIA	date	09/6/2022
06	Added new signal cable	22/11/2021	DPAA	User	paolo.casarotti
05	Added new cable	24/03/2021	PCIA	Proved	PCIA
Status	change	date	name		



HEADING PAGE

NEW Code 80014783

Document number: 9460144681-07

Sheet 1  
Sh. 11

This document and its contents is owned by LU-VE Group or its affiliates and protected by laws governing intellectual property and thereto related rights. Without limiting any rights related to this document, no part of this document may be copied, reproduced or transmitted in any form or by any means (electronic, mechanical, photocopying, recording, or otherwise), or for any purpose, without the expressed permission of LU-VE Group. Nor may it be used in any other way or for any other purpose than expressly permitted by LU-VE Group. LU-VE Group will enforce its rights related to this document to the fullest extent of the law, including the seeking of criminal prosecution.

INDEX

REVISION

Sheet	Description
1	HEADING PAGE
2	INDEX
3	UNIT LAYOUT
4	SWITCH LAYOUT
5	CB LAYOUT
6	CB LAYOUT
7	CB LAYOUT
8	CB LAYOUT
9	EC MOTORS POWER CONNECTION
10	EC MOTORS SIGNAL CONNECTION
11	EC MOTORS SIGNAL CONNECTION

N°	Date	Description
0	16/12/2015	Emission
1	01/06/2017	Changed labels and added layout
2	13/10/2017	Changed order of fan motors
3	12/10/2018	Added layout right unit
4	17/12/2019	New brand
5	24/03/2021	Added new cable
6	22/11/2021	Added new signal cable
7	09/06/2022	Added new signal cable

07	Added new signal cable	09/06/2022	PCIA	date	09/6/2022
06	Added new signal cable	22/11/2021	DPAA	User	paolo.casarotti
05	Added new cable	24/03/2021	PCIA	Proved	PCIA
Status change		date	name		



INDEX

NEW Code 80014783

Document number: 9460144681-07

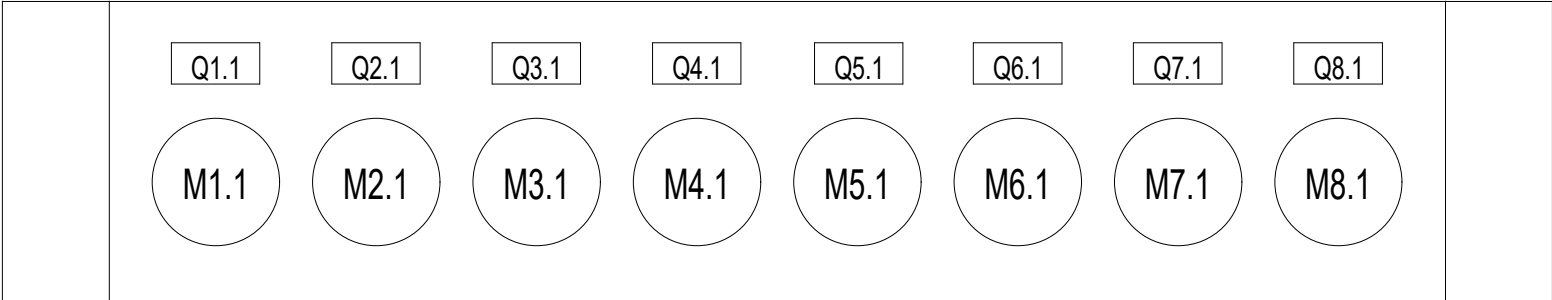
Sheet 2 Sh. 11

# UNIT LAYOUT (Front View)

## Left unit



## Right unit



**NOTE: The drawing does not indicate the correct position of components**

This document and its contents is owned by LU-VE Group or its affiliates and protected by laws governing intellectual property and thereto related rights. Without limiting any rights related to this document, no part of this document may be copied, reproduced or transmitted in any form or by any means (electronic, mechanical, photocopying, recording, or otherwise), or for any purpose, without the expressed permission of LU-VE Group. Nor may it be used in any other way or for any other purpose than expressly permitted by LU-VE Group. LU-VE Group will enforce its rights related to this document to the fullest extent of the law, including the seeking of criminal prosecution.

07	Added new signal cable	09/06/2022	PCIA	date	09/6/2022
06	Added new signal cable	22/11/2021	DPAAs	User	paolo.casarotti
05	Added new cable	24/03/2021	PCIA	Proved	PCIA
Status	change	date	name		



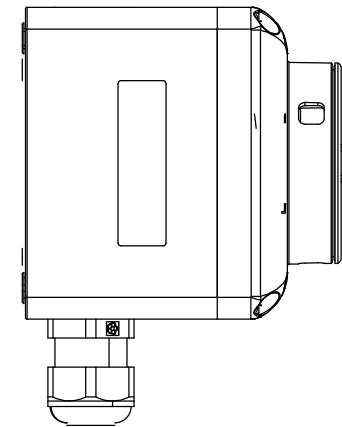
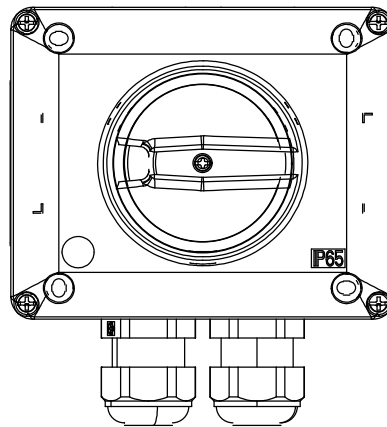
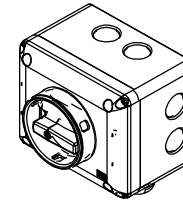
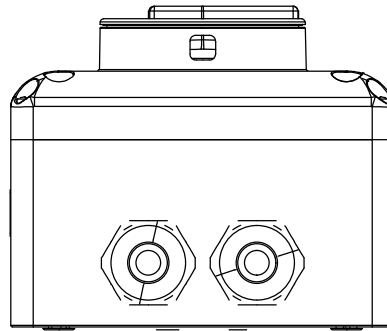
UNIT LAYOUT

NEW Code 80014783

Document number: 9460144681-07

Sheet 3  
Sh. 11

Q1.1-Q8.1



Technical data

Material: Polycarbonate  
 IP protection class: IP65  
 Color: Grey/Black  
 Rated insulation voltage: 690V  
 Rated operational current: 16A  
 Ambient temperature: until -40°C

This document and its contents is owned by LU-VE Group or its affiliates and protected by laws governing intellectual property and thereto related rights. Without limiting any rights related to this document, no part of this document may be copied, reproduced or transmitted in any form or by any means (electronic, mechanical, photocopying, recording, or otherwise), or for any purpose, without the expressed permission of LU-VE Group. Nor may it be used in any other way or for any other purpose than expressly permitted by LU-VE Group. LU-VE Group will enforce its rights related to this document to the fullest extent of the law, including the seeking of criminal prosecution.

07	Added new signal cable	09/06/2022	PCIA	date	09/6/2022
06	Added new signal cable	22/11/2021	DPAA	User	paolo.casarotti
05	Added new cable	24/03/2021	PCIA	Proved	PCIA
Status	change	date	name		



SWITCH LAYOUT

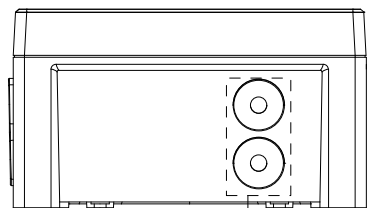
NEW Code 80014783

Document number: 9460144681-07

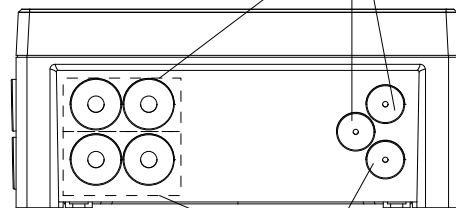
Sheet 4  
Sh. 11

CB1

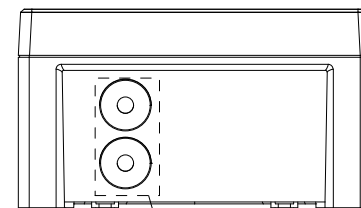
# CONNECTION BOX FOR 1-2 FAN MOTORS



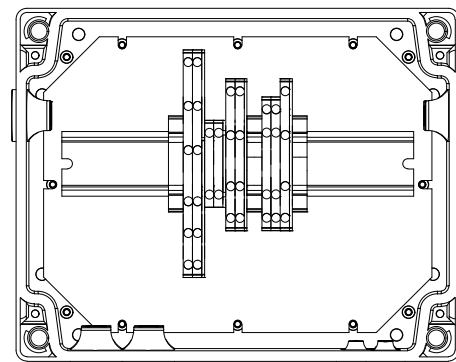
CUSTOMER



MANUFACTURER



CUSTOMER



## Technical data

Material: ABS  
 IP protection class: IP65  
 Color: RAL7035  
 Rated insulation voltage: 690V  
 Ambient temperature: -40/+80°C  
 Dimensions: 240x190x110

This document and its contents is owned by LU-VE Group or its affiliates and protected by laws governing intellectual property and thereto related rights. Without limiting any rights related to this document, no part of this document may be copied, reproduced or transmitted in any form or by any means (electronic, mechanical, photocopying, recording, or otherwise), or for any purpose, without the expressed permission of LU-VE Group. Nor may it be used in any other way or for any other purpose than expressly permitted by LU-VE Group. LU-VE Group will enforce its rights related to this document to the fullest extent of the law, including the seeking of criminal prosecution.

07	Added new signal cable	09/06/2022	PCIA	date	09/6/2022
06	Added new signal cable	22/11/2021	DPAA	User	paolo.casarotti
05	Added new cable	24/03/2021	PCIA	Proved	PCIA
Status	change	date	name		



CB LAYOUT

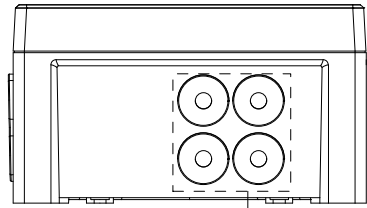
NEW Code 80014783

Document number: 9460144681-07

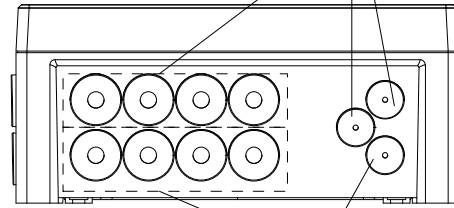
Sheet 5  
Sh. 11

CB1

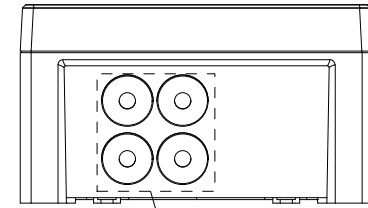
# CONNECTION BOX FOR 3-4 FAN MOTORS



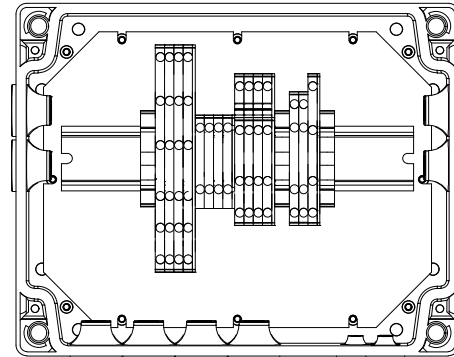
CUSTOMER



MANUFACTURER



CUSTOMER



## Technical data

Material: ABS  
 IP protection class: IP65  
 Color: RAL7035  
 Rated insulation voltage: 690V  
 Ambient temperature: -40/+80°C  
 Dimensions: 240x190x110

This document and its contents is owned by LU-VE Group or its affiliates and protected by laws governing intellectual property and thereto related rights. Without limiting any rights related to this document, no part of this document may be copied, reproduced or transmitted in any form or by any means (electronic, mechanical, photocopying, recording, or otherwise), or for any purpose, without the expressed permission of LU-VE Group. Nor may it be used in any other way or for any other purpose than expressly permitted by LU-VE Group. LU-VE Group will enforce its rights related to this document to the fullest extent of the law, including the seeking of criminal prosecution.

07	Added new signal cable	09/06/2022	PCIA	date	09/6/2022
06	Added new signal cable	22/11/2021	DPAA	User	paolo.casarotti
05	Added new cable	24/03/2021	PCIA	Proved	PCIA
Status	change	date	name		



CB LAYOUT

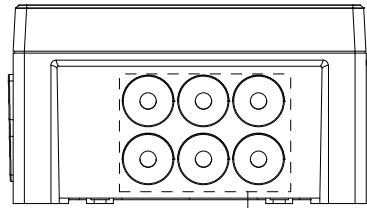
NEW Code 80014783

Document number: 9460144681-07

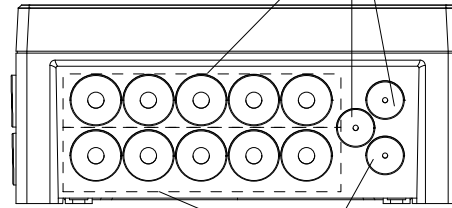
Sheet 6  
Sh. 11

CB1

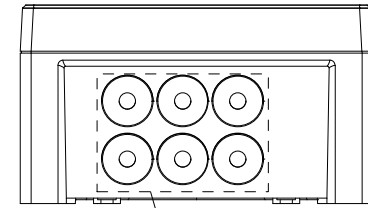
# CONNECTION BOX FOR 5-6 FAN MOTORS



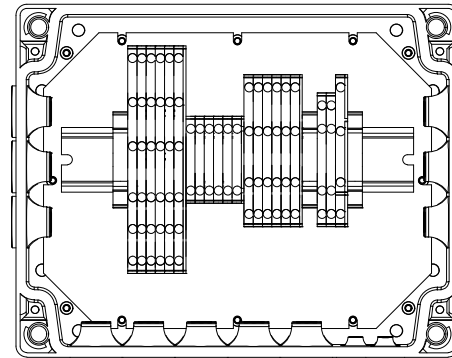
CUSTOMER



MANUFACTURER



CUSTOMER



## Technical data

Material: ABS  
 IP protection class: IP65  
 Color: RAL7035  
 Rated insulation voltage: 690V  
 Ambient temperature: -40/+80°C  
 Dimensions: 240x190x110

This document and its contents is owned by LU-VE Group or its affiliates and protected by laws governing intellectual property and thereto related rights. Without limiting any rights related to this document, no part of this document may be copied, reproduced or transmitted in any form or by any means (electronic, mechanical, photocopying, recording, or otherwise), or for any purpose, without the expressed permission of LU-VE Group. Nor may it be used in any other way or for any other purpose than expressly permitted by LU-VE Group. LU-VE Group will enforce its rights related to this document to the fullest extent of the law, including the seeking of criminal prosecution.

07	Added new signal cable	09/06/2022	PCIA	date	09/6/2022
06	Added new signal cable	22/11/2021	DPAA	User	paolo.casarotti
05	Added new cable	24/03/2021	PCIA	Proved	PCIA
Status	change	date	name		



CB LAYOUT

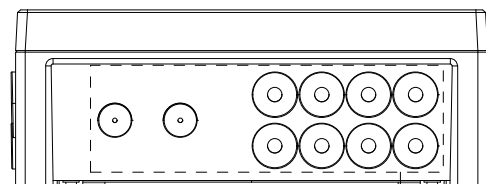
NEW Code 80014783

Document number: 9460144681-07

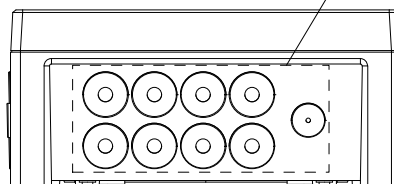
Sheet 7  
Sh. 11

CB1

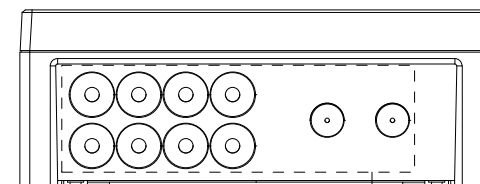
# CONNECTION BOX FOR 7-8 FAN MOTORS



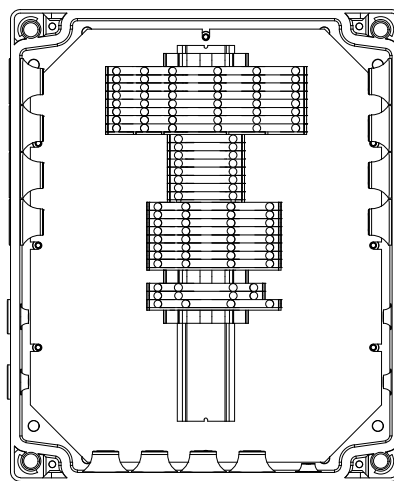
CUSTOMER



MANUFACTURER



CUSTOMER



## Technical data

Material: ABS

IP protection class: IP65

Color: RAL7035

Rated insulation voltage: 690V

Ambient temperature: -40/+80°C

Dimensions: 290x240x110

This document and its contents is owned by LU-VE Group or its affiliates and protected by laws governing intellectual property and thereto related rights. Without limiting any rights related to this document, no part of this document may be copied, reproduced or transmitted in any form or by any means (electronic, mechanical, photocopying, recording, or otherwise), or for any purpose, without the expressed permission of LU-VE Group. Nor may it be used in any other way or for any other purpose than expressly permitted by LU-VE Group. LU-VE Group will enforce its rights related to this document to the fullest extent of the law, including the seeking of criminal prosecution.

07	Added new signal cable	09/06/2022	PCIA	date	09/6/2022
06	Added new signal cable	22/11/2021	DPAA	User	paolo.casarotti
05	Added new cable	24/03/2021	PCIA	Proved	PCIA
Status	change	date	name		



CB LAYOUT

NEW Code 80014783

Document number: 9460144681-07

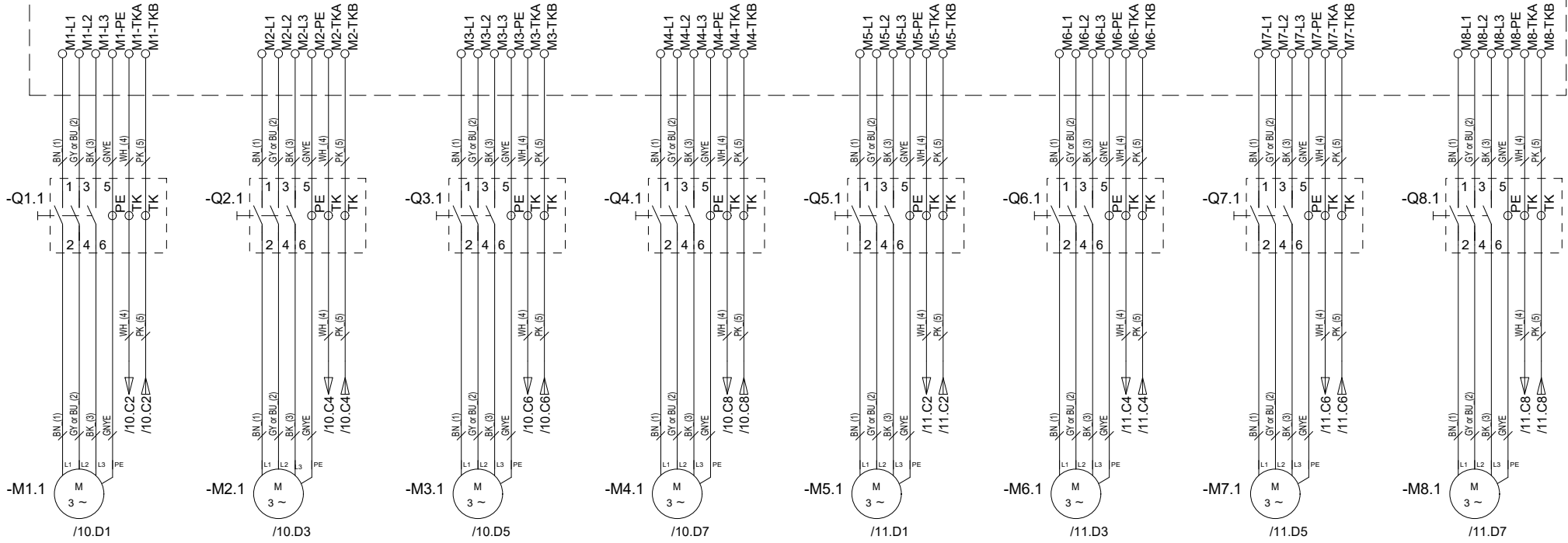
Sheet	8
Sh.	11



# EC MOTORS POWER CONNECTION

## 3-phase motors

CB1



**NOTE: switch for maintenance before motors are optional fans number according to unit datasheet**

07	Added new signal cable	09/06/2022	PCIA	date	09/6/2022
06	Added new signal cable	22/11/2021	DPAA	User	paolo.casarotti
05	Added new cable	24/03/2021	PCIA	Provided	PCIA
Status	change	date	name		



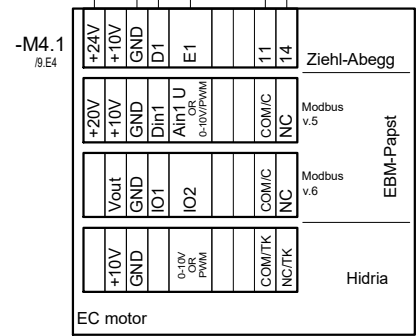
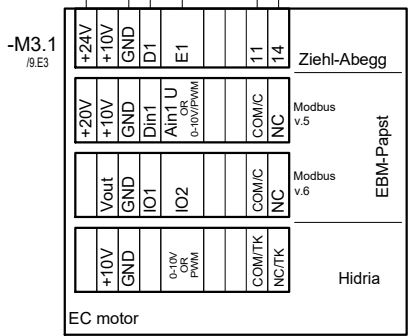
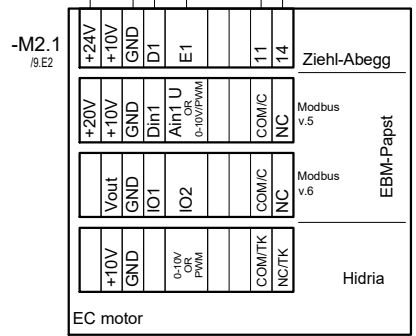
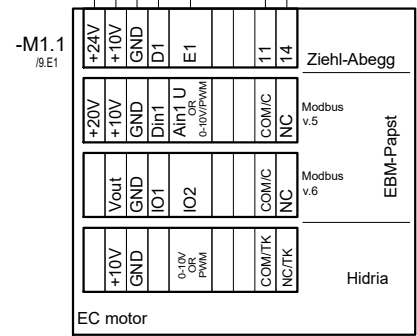
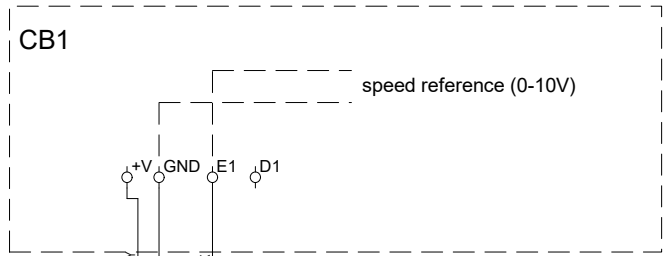
EC MOTORS POWER CONNECTION NEW Code 80014783

3-phase motors

Document number: 9460144681-07

Sheet 9  
Sh. 11

This document and its contents is owned by LU-VE Group or its affiliates and protected by laws governing intellectual property and thereto related rights. Without limiting any rights related to this document, no part of this document may be copied, reproduced or transmitted in any form or by any means (electronic, mechanical, photocopying, recording, or otherwise), or for any purpose, without the expressed permission of LU-VE Group. Nor may it be used in any other way or for any other purpose than expressly permitted by LU-VE Group. LU-VE Group will enforce its rights related to this document to the fullest extent of the law, including the seeking of criminal prosecution.



**NOTE: fans number according to unit datasheet**  
 \* connection needed only for Ziehl-Abegg fans

07	Added new signal cable	09/06/2022	PCIA	date	09/6/2022
06	Added new signal cable	22/11/2021	DPAA	User	paolo.casarotti
05	Added new cable	24/03/2021	PCIA	Proved	PCIA
Status	change	date	name		



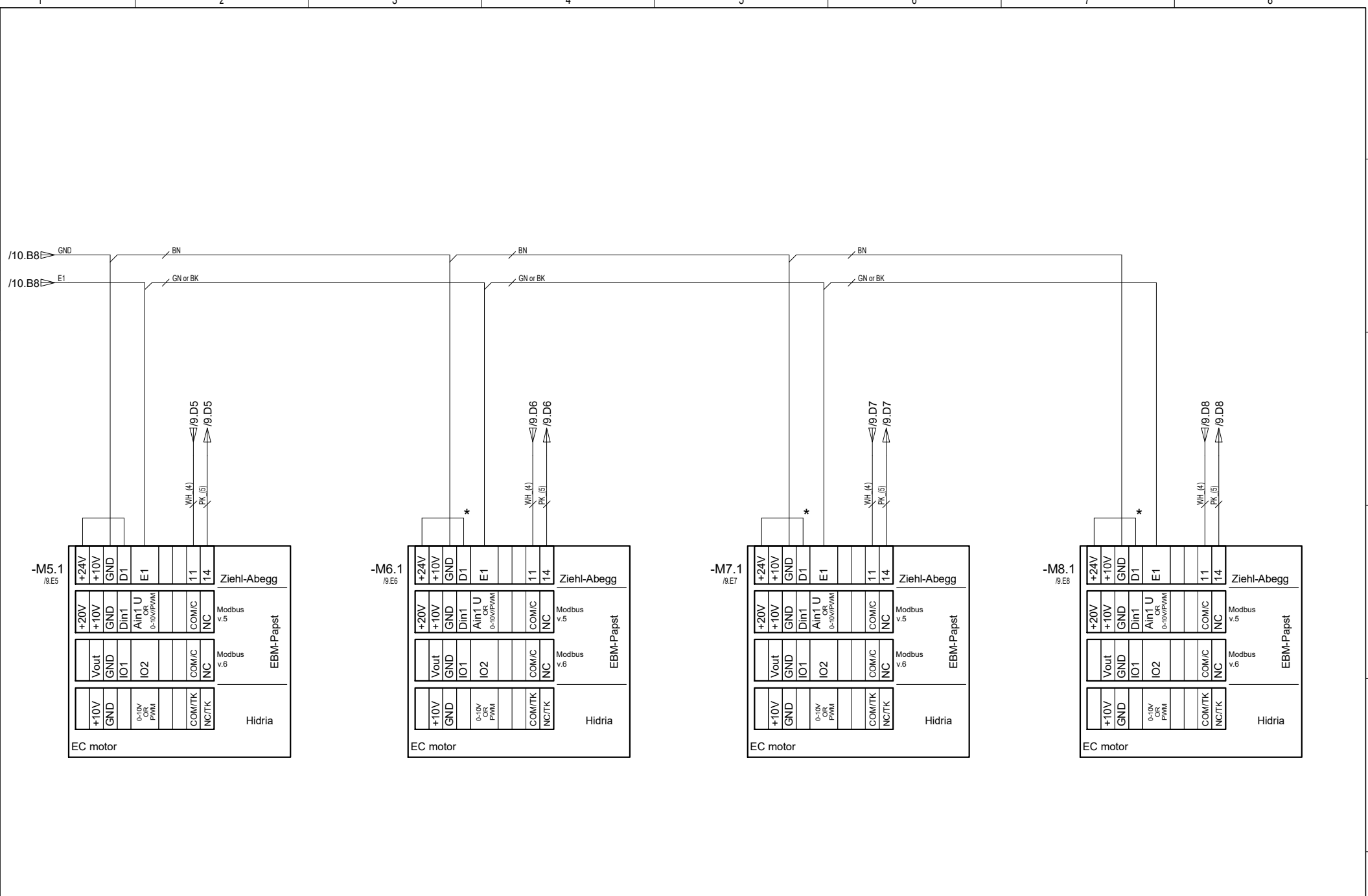
EC MOTORS SIGNAL CONNECTION NEW Code 80014783

3-phase motors

Document number: 9460144681-07

Sheet 10  
Sh. 11

This document and its contents is owned by LU-VE Group or its affiliates and protected by laws governing intellectual property and thereto related rights. Without limiting any rights related to this document, no part of this document may be copied, reproduced or transmitted in any form or by any means (electronic, mechanical, photocopying, recording, or otherwise), or for any purpose, without the expressed permission of LU-VE Group. Nor may it be used in any other way or for any other purpose than expressly permitted by LU-VE Group. LU-VE Group will enforce its rights related to this document to the fullest extent of the law, including the seeking of criminal prosecution.



**NOTE: fans number according to unit datasheet**  
 \* connection needed only for Ziehl-Abegg fans

07	Added new signal cable	09/06/2022	PCIA	date	09/6/2022
06	Added new signal cable	22/11/2021	DPAA	User	paolo.casarotti
05	Added new cable	24/03/2021	PCIA	Proved	PCIA
Status	change	date	name		

