

# ARCTIGO IS - AC motors 1-phase with main switch

drawing number: 80025787



alfa.luvegroup.com

### BOARD RATED VALUE

VOLTAGE DC	---
VOLTAGE AC	230 Vac $\pm$ 10%
FREQUENCY	50 - 60 Hz $\pm$ 2%
POWER MAX	
SHORT CIRCUIT CURRENT (Icc)	
IP DEGREE WITH CLOSED DOORS	IP54
IP DEGREE WITH OPENED DOORS	IP20

This document and its contents is owned by LU-VE Group or its affiliates and protected by laws governing intellectual property and thereto related rights. Without limiting any rights related to this document, no part of this document may be copied, reproduced or transmitted in any form or by any means (electronic, mechanical, photocopying, recording, or otherwise), or for any purpose, without the expressed permission of LU-VE Group. Nor may it be used in any other way or for any other purpose than expressly permitted by LU-VE Group. LU-VE Group will enforce its rights related to this document to the fullest extent of the law, including the seeking of criminal prosecution.

date	03/09/2021
User	davide.pinato
Proved	PCIA
Status change	



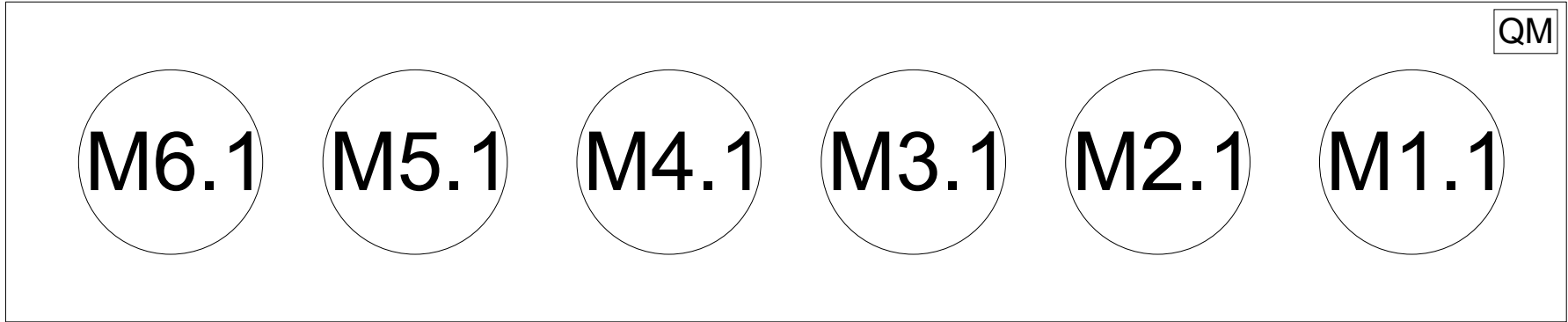
HEADING PAGE

Document number: 80025787-00 Sheet 1  
Sh. 6

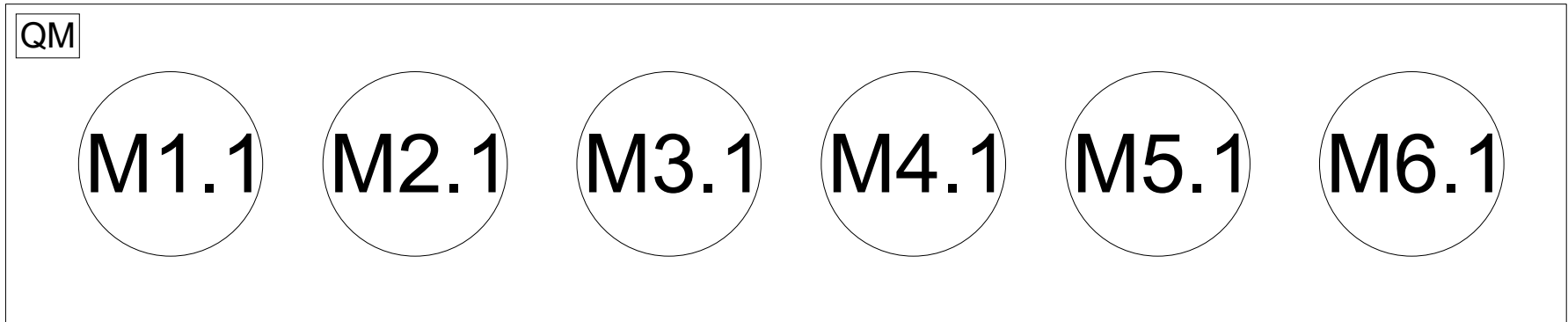


# UNIT LAYOUT (Front View)

Left unit



Right unit



**NOTE: The drawing does not indicate the correct position of components**

This document and its contents is owned by LU-VE Group or its affiliates and protected by laws governing intellectual property and thereto related rights. Without limiting any rights related to this document, no part of this document may be copied, reproduced or transmitted in any form or by any means (electronic, mechanical, photocopying, recording, or otherwise), or for any purpose, without the expressed permission of LU-VE Group. Nor may it be used in any other way or for any other purpose than expressly permitted by LU-VE Group. LU-VE Group will enforce its rights related to this document to the fullest extent of the law, including the seeking of criminal prosecution.

date	03/09/2021
User	davide.pinato
Provid	
date	
name	

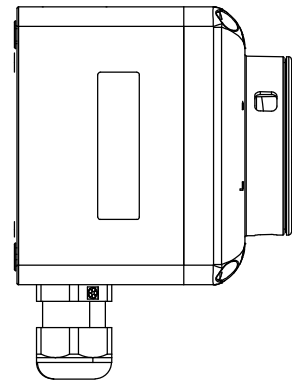
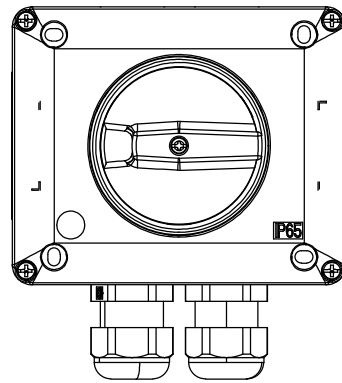
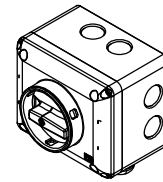
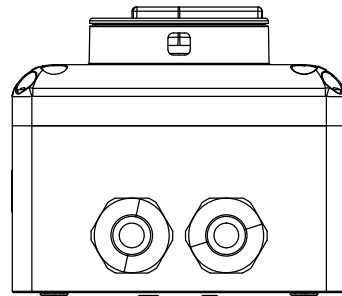


UNIT LAYOUT

Document number: 80025787-00 Sheet 3

Sh. 6

QM



Technical data

Material: Polycarbonate  
 IP protection class: IP65  
 Color: Grey/Black  
 Rated insulation voltage: 690V  
 Rated operational current: 16A  
 Ambient temperature: until -40°C

This document and its contents is owned by LU-VE Group or its affiliates and protected by laws governing intellectual property and thereto related rights. Without limiting any rights related to this document, no part of this document may be copied, reproduced or transmitted in any form or by any means (electronic, mechanical, photocopying, recording, or otherwise), or for any purpose, without the expressed permission of LU-VE Group. Nor may it be used in any other way or for any other purpose than expressly permitted by LU-VE Group. LU-VE Group will enforce its rights related to this document to the fullest extent of the law, including the seeking of criminal prosecution.

date	03/09/2021
User	davide.pinato
Proved	PCIA
Status change	
date	
name	



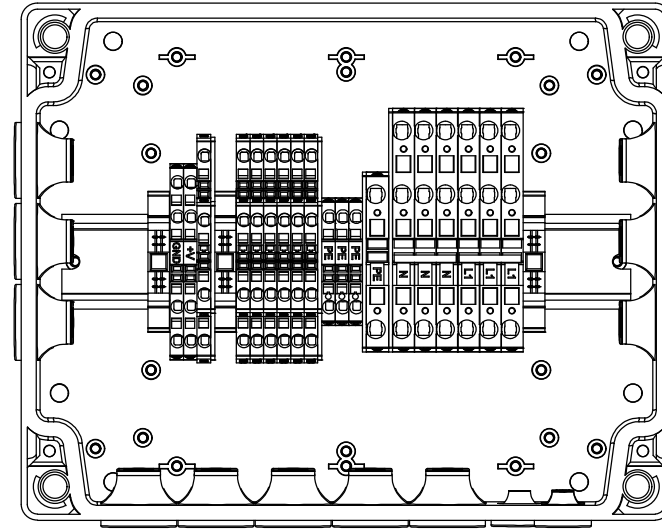
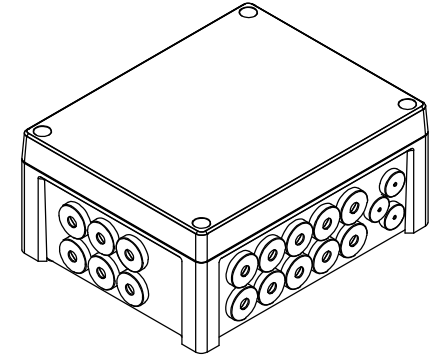
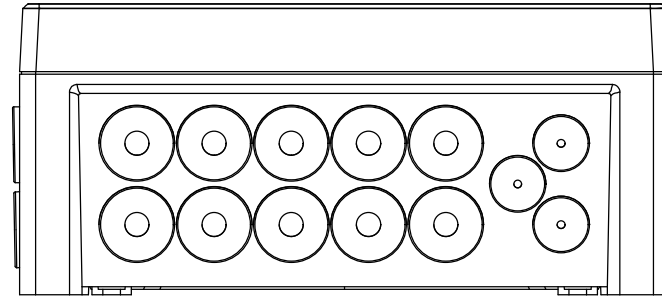
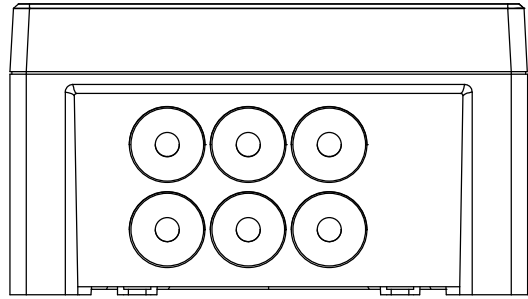
SWITCH LAYOUT

Document number: 80025787-00

Sheet	4
Sh.	6

CB1

CONNECTION BOX FOR 1PH WITH MAIN SWITCH



Technical data:  
 Material: ABS  
 IP protection class: IP65  
 Color: RAL7035  
 Ambient temperature: -40/+80°C  
 Dimensions: 240x190x110mm

This document and its contents is owned by LU-VE Group or its affiliates and protected by laws governing intellectual property and thereto related rights. Without limiting any rights related to this document, no part of this document may be copied, reproduced or transmitted in any form or by any means (electronic, mechanical, photocopying, recording, or otherwise), or for any purpose, without the expressed permission of LU-VE Group. Nor may it be used in any other way or for any other purpose than expressly permitted by LU-VE Group. LU-VE Group will enforce its rights related to this document to the fullest extent of the law, including the seeking of criminal prosecution.

date	24/2/2022
User	paolo.casarotti
Proved	PCIA
Status change	



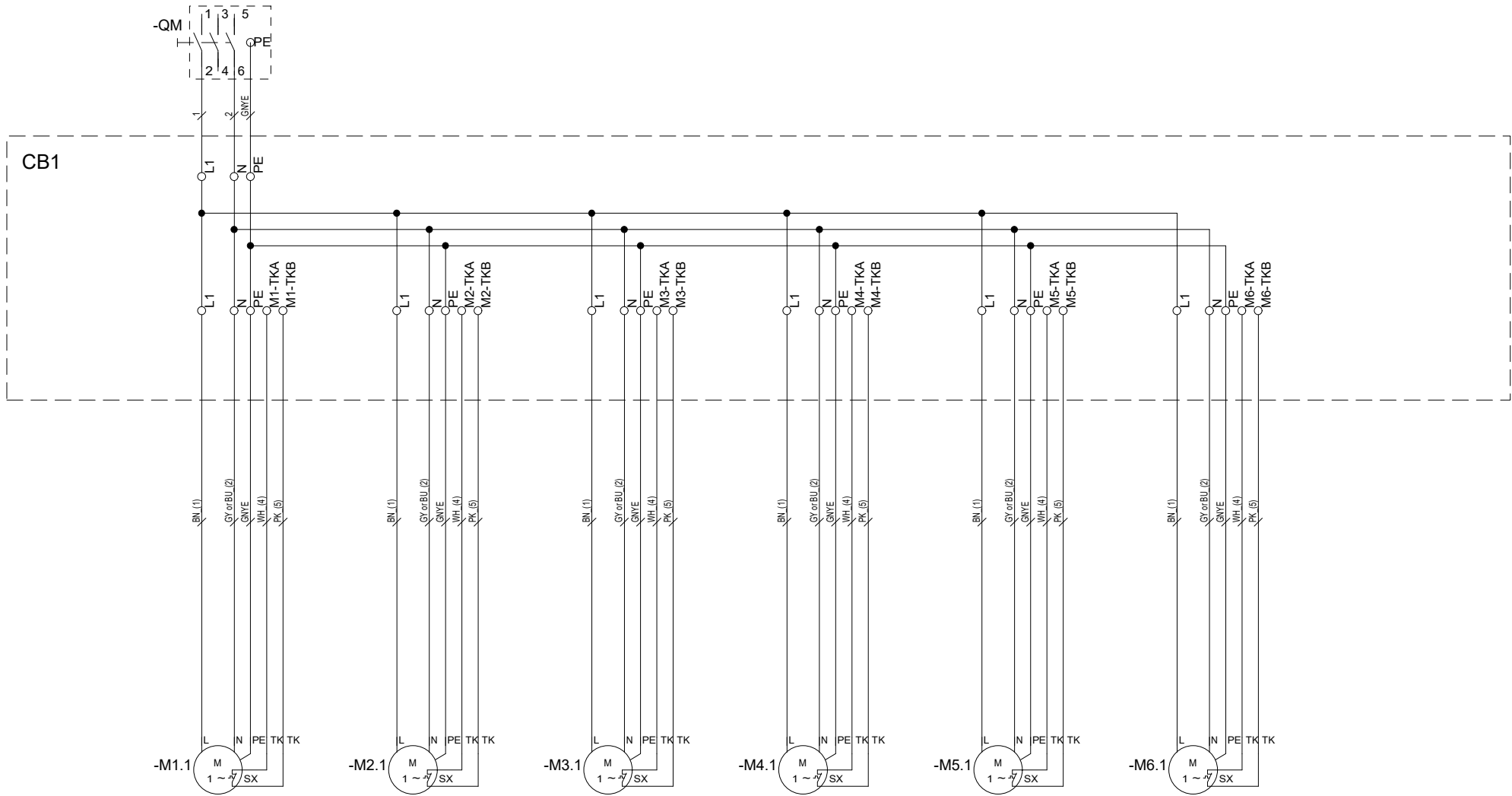
CB LAYOUT

Document number: 80025787-00

Sheet 5  
Sh. 6

# AC MOTORS POWER CONNECTION

## 1-phase motors



**NOTE: switch for maintenance before motors are optional  
Fans number according to unit datasheet**

This document and its contents is owned by LU-VE Group or its affiliates and protected by laws governing intellectual property and thereto related rights. Without limiting any rights related to this document, no part of this document may be copied, reproduced or transmitted in any form or by any means (electronic, mechanical, photocopying, recording, or otherwise), or for any purpose, without the expressed permission of LU-VE Group. Nor may it be used in any other way or for any other purpose than expressly permitted by LU-VE Group. LU-VE Group will enforce its rights related to this document to the fullest extent of the law, including the seeking of criminal prosecution.

date	03/09/2021
User	davide.pinato
Provid	PCIA
Status change	date name



**EC MOTORS POWER CONNECTION**  
1-phase motors

Document number: **80025787-00** Sheet 6  
Sh. 6