

AC fan motors 3-phase connection

drawing number: 9460165995

TIPOLOGIA CAVI IMPIANTO ELETTRICO / SYSTEM CABLE TYPE			
CAVOMULTIPOLARE 6G1,5mmq COD. : 41000052			
TIPO / TYPE	COLORE / COLOUR	IMPIEGO / USE	
NYMH11YO	MARRONE / BROWN	L1	POTENZA / POWER
	GRIGIO / GREY	L2	POTENZA / POWER
	NERO / BLACK	L3	POTENZA / POWER
	GIALLO-VERDE / GREEN-YELLOW	PE	POTENZA / POWER
	BIANCO / WHITE	TK	AUSILIARI / AUXILIARY
	ROSA / PINK	TK	AUSILIARI / AUXILIARY



alfa.luvegroup.com

BOARD RATED VALUE

VOLTAGE DC	---
VOLTAGE AC	400 Vac \pm 10%
FREQUENCY	50 - 60 Hz \pm 2%
POWER MAX	
SHORT CIRCUIT CURRENT (Icc)	
IP DEGREE WITH CLOSED DOORS	IP54
IP DEGREE WITH OPENED DOORS	IP20

This document and its contents is owned by LU-VE Group or its affiliates and protected by laws governing intellectual property and thereto related rights. Without limiting any rights related to this document, no part of this document may be copied, reproduced or transmitted in any form or by any means (electronic, mechanical, photocopying, recording, or otherwise), or for any purpose, without the expressed permission of LU-VE Group. Nor may it be used in any other way or for any other purpose than expressly permitted by LU-VE Group. LU-VE Group will enforce its rights related to this document to the fullest extent of the law, including the seeking of criminal prosecution.

02	New brand	18/12/2019	PCIA	User	ITALPCIA
01	Added layout	13/09/2017	PCIA	Proved	D. Rizzotti
Status	change	date	name		



HEADING PAGE

Document number: 9460165995-02

Sheet 1
Sh. 10

This document and its contents is owned by LU-VE Group or its affiliates and protected by laws governing intellectual property and thereto related rights. Without limiting any rights related to this document, no part of this document may be copied, reproduced or transmitted in any form or by any means (electronic, mechanical, photocopying, recording, or otherwise), or for any purpose, without the expressed permission of LU-VE Group. Nor may it be used in any other way or for any other purpose than expressly permitted by LU-VE Group. LU-VE Group will enforce its rights related to this document to the fullest extent of the law, including the seeking of criminal prosecution.

INDEX

Sheet	Description
1	HEADING PAGE
2	INDEX
3	UNIT LAYOUT
4	MOTOR SWITCH LAYOUT
5	CONNECTION BOX LAYOUT
6	CONNECTION BOX LAYOUT
7	CONNECTION BOX LAYOUT
8	CONNECTION BOX LAYOUT
9	AC MOTORS POWER CONNECTION
10	AC MOTORS POWER CONNECTION

REVISION

N°	Date	Description
00	25/01/2017	Emission
01	13/09/2017	Added layout
02	18/12/2019	New brand

02	New brand	18/12/2019	PCIA	User	18/12/2019	ITALPCIA
01	Added layout	13/09/2017	PCIA	Proved	D. Rizzotti	
Status	change	date	name			

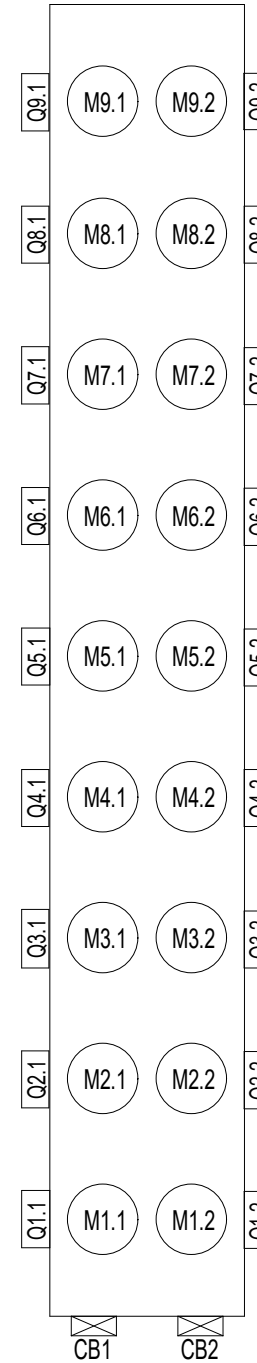
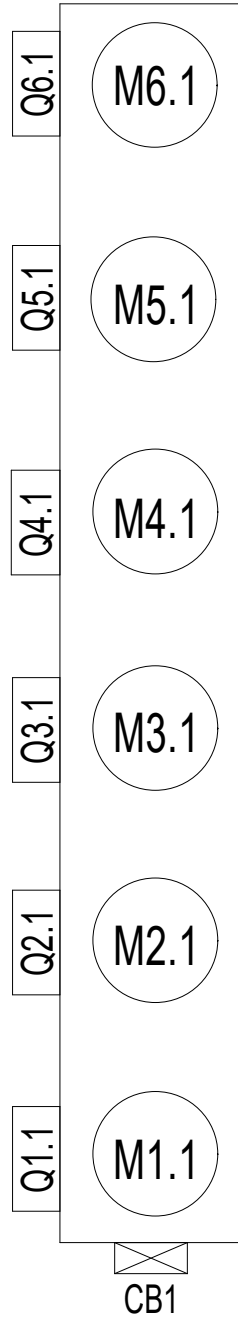


INDEX

Document number: 9460165995-02

Sheet 2
Sh. 10

UNIT LAYOUT



NOTE: The drawing does not indicate the correct position of components

This document and its contents is owned by LU-VE Group or its affiliates and protected by laws governing intellectual property and thereto related rights. Without limiting any rights related to this document, no part of this document may be copied, reproduced or transmitted in any form or by any means (electronic, mechanical, photocopying, recording, or otherwise), or for any purpose, without the expressed permission of LU-VE Group. Nor may it be used in any other way or for any other purpose than expressly permitted by LU-VE Group. LU-VE Group will enforce its rights related to this document to the fullest extent of the law, including the seeking of criminal prosecution.

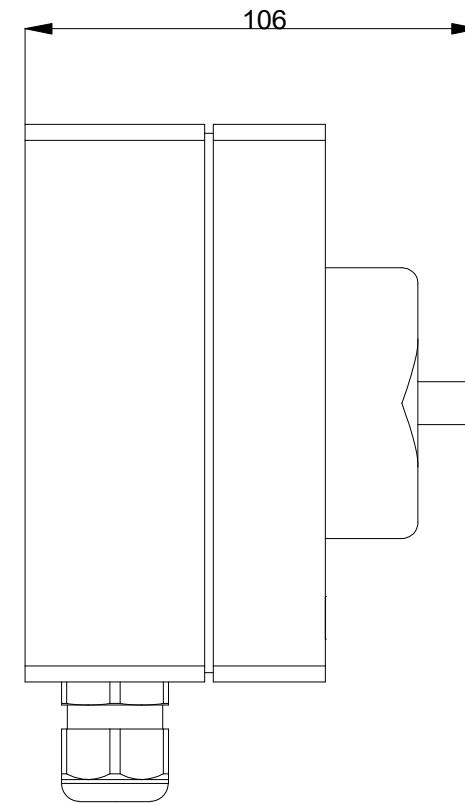
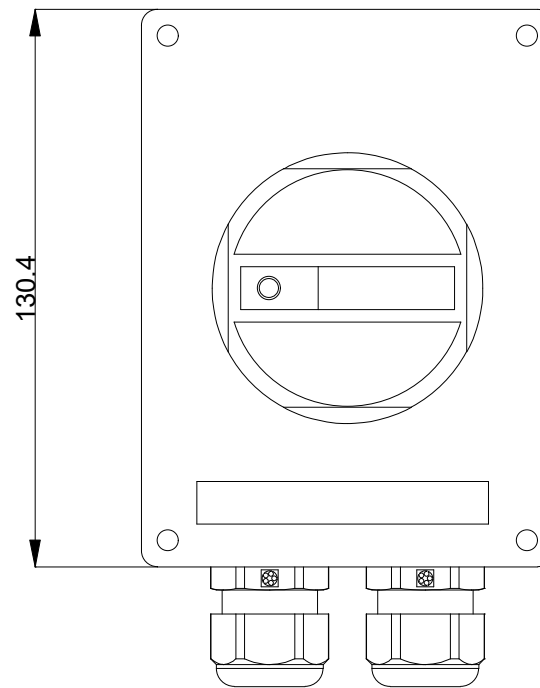
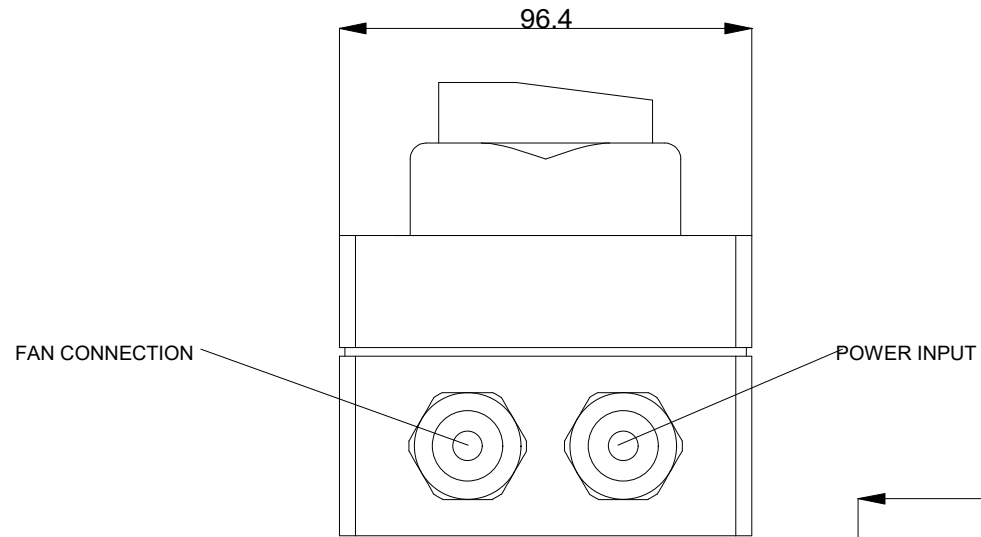
Q2	New brand	18/12/2019	PCIA	User	18/12/2019	ITALPCIA
Q1	Added layout	13/09/2017	PCIA	Proved		
Status	change	date	name			



UNIT LAYOUT

Document number: 9460165995-02 Sheet 3
Sh. 10

Q1.1 - Q9.1
Q2.1 - Q9.2



Technical data

Material: Polycarbonate
 IP protection class: IP66
 Color: Grey/black
 Rated insulation voltage: 690V
 Rated operational current: 16A
 Ambient temperature: -40/+80°C

This document and its contents are owned by LU-VE Group or its affiliates and protected by laws governing intellectual property and thereto related rights. Without limiting any rights related to this document, no part of this document may be copied, reproduced or transmitted in any form or by any means (electronic, mechanical, photocopying, recording, or otherwise), or for any purpose, without the expressed permission of LU-VE Group. Nor may it be used in any other way or for any other purpose than expressly permitted by LU-VE Group. LU-VE Group will enforce its rights related to this document to the fullest extent of the law, including the seeking of criminal prosecution.

02	New brand	18/12/2019	PCIA	User	18/12/2019	ITALPCIA
01	Added layout	13/09/2017	PCIA	Proved	D. Rizzotti	
Status	change	date	name			

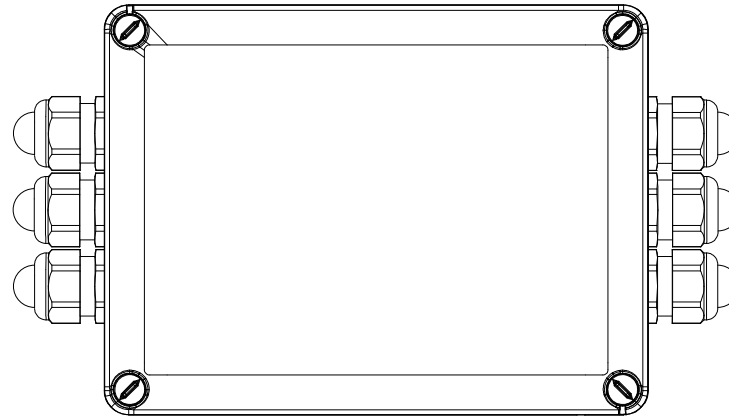
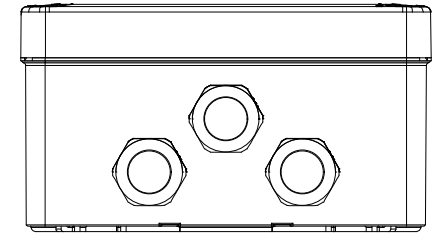
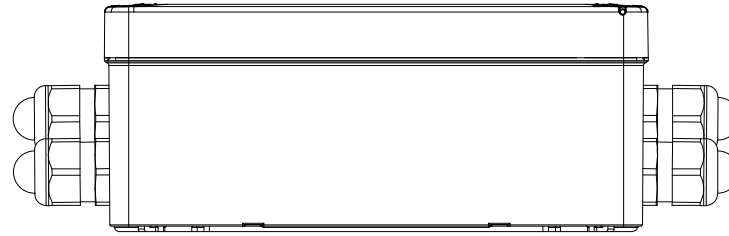
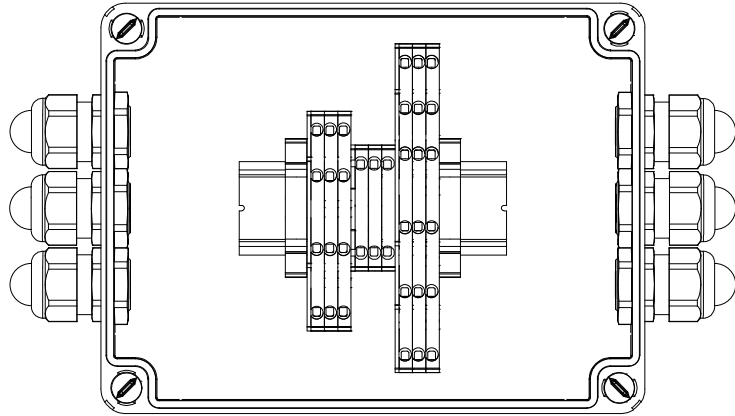


**MOTOR SWITCH LAYOUT
(OPTIONAL)**

Document number: 9460165995-02

Sheet	4
Sh.	10

CB1 - CB2



This document and its contents is owned by LU-VE Group or its affiliates and protected by laws governing intellectual property and thereto related rights. Without limiting any rights related to this document, no part of this document may be copied, reproduced or transmitted in any form or by any means (electronic, mechanical, photocopying, recording, or otherwise), or for any purpose, without the expressed permission of LU-VE Group. Nor may it be used in any other way or for any other purpose than expressly permitted by LU-VE Group. LU-VE Group will enforce its rights related to this document to the fullest extent of the law, including the seeking of criminal prosecution.

Technical data

Material: Polycarbonate
 IP protection class: IP56
 Color: RAL7035
 Rated insulation voltage: 750V
 Ambient temperature: -25/+60°C
 Dimensions: 190x140x70 mm

02	New brand	18/12/2019	PCIA	User	ITALPCIA
01	Added layout	13/09/2017	PCIA	Proved	
Status	change	date	name		

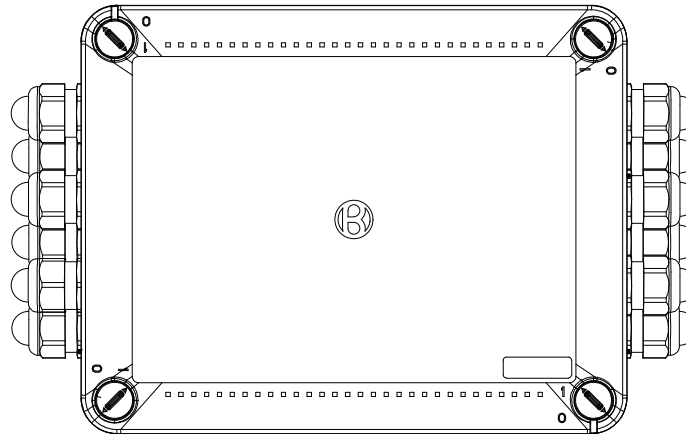
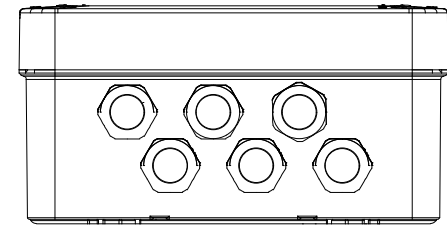
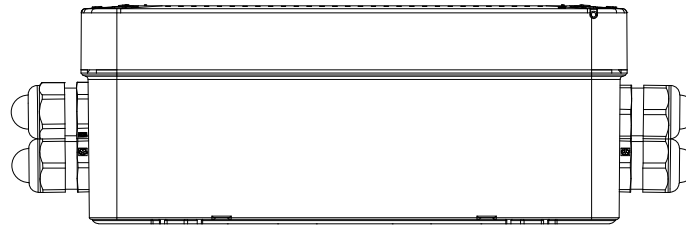
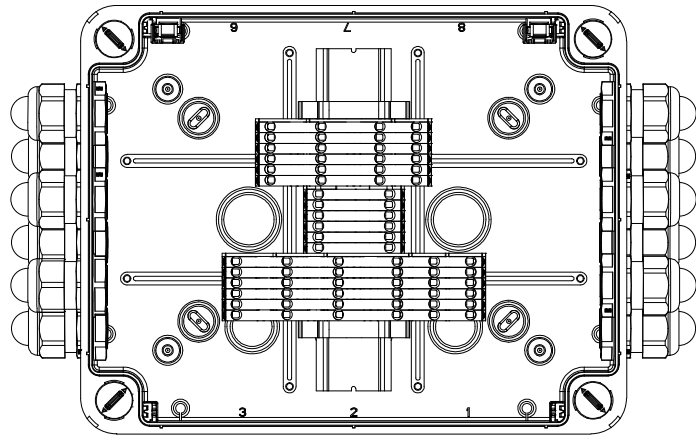


CONNECTION BOX LAYOUT
 3 FANS - 3 PHASE

Document number: 9460165995-02

Sheet	5
Sh.	10

CB1 - CB2



This document and its contents is owned by LU-VE Group or its affiliates and protected by laws governing intellectual property and thereto related rights. Without limiting any rights related to this document, no part of this document may be copied, reproduced or transmitted in any form or by any means (electronic, mechanical, photocopying, recording, or otherwise), or for any purpose, without the expressed permission of LU-VE Group. Nor may it be used in any other way or for any other purpose than expressly permitted by LU-VE Group. LU-VE Group will enforce its rights related to this document to the fullest extent of the law, including the seeking of criminal prosecution.

Technical data

Material: Polycarbonate
IP protection class: IP56
Color: RAL7035
Rated insulation voltage: 750V
Ambient temperature: -25/+60°C
Dimensions: 240x190x90 mm

02	New brand	18/12/2019	PCIA	User	ITALPCIA
01	Added layout	13/09/2017	PCIA	Proved	
Status	change	date	name		

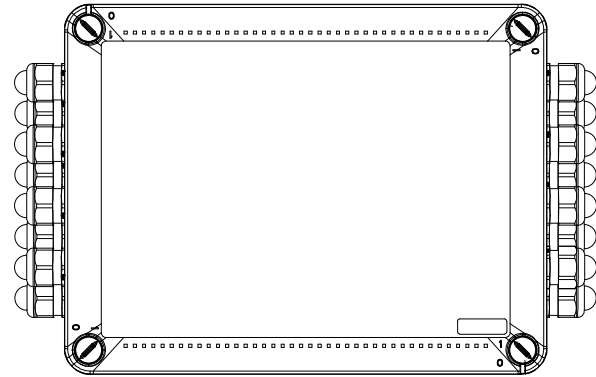
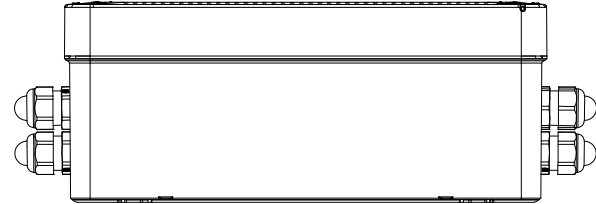
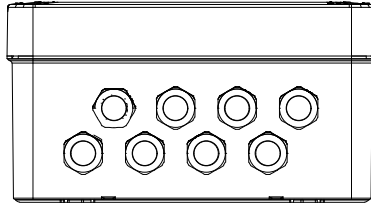
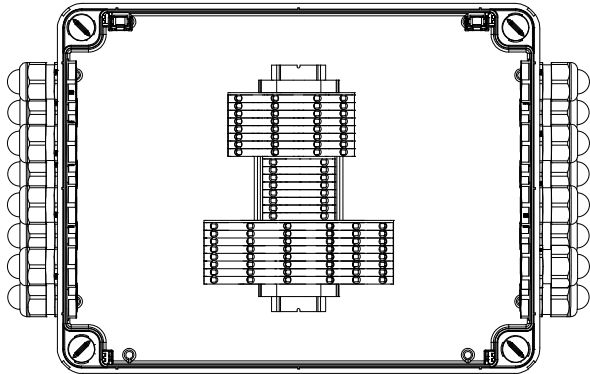


CONNECTION BOX LAYOUT
7 FANS - 3 PHASE

Document number: 9460165995-02

Sheet 6
 Sh. 10

CB1 - CB2



This document and its contents is owned by LU-VE Group or its affiliates and protected by laws governing intellectual property and thereto related rights. Without limiting any rights related to this document, no part of this document may be copied, reproduced or transmitted in any form or by any means (electronic, mechanical, photocopying, recording, or otherwise), or for any purpose, without the expressed permission of LU-VE Group. Nor may it be used in any other way or for any other purpose than expressly permitted by LU-VE Group. LU-VE Group will enforce its rights related to this document to the fullest extent of the law, including the seeking of criminal prosecution.

Technical data

Material: Polycarbonate
IP protection class: IP56
Color: RAL7035
Rated insulation voltage: 750V
Ambient temperature: -25/+60°C
Dimensions: 300x220x120 mm

02	New brand	18/12/2019	PCIA	User	ITALPCIA
01	Added layout	13/09/2017	PCIA	Proved	
Status	change	date	name		

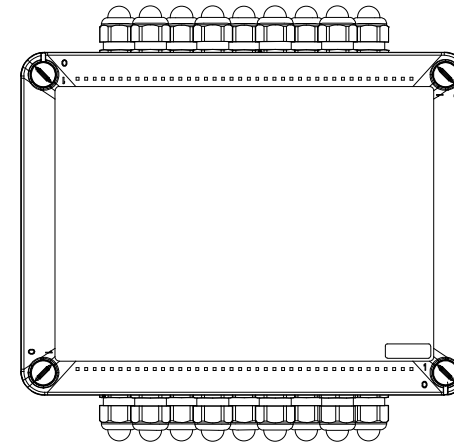
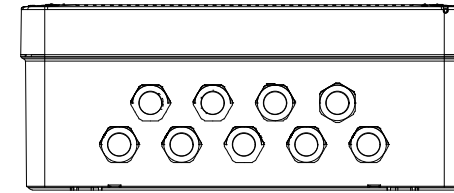
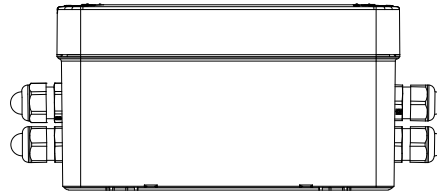
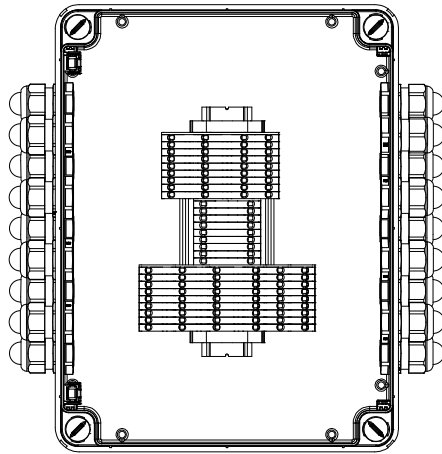


CONNECTION BOX LAYOUT
8 FANS - 3 PHASE

Document number: 9460165995-02

Sheet 7
 Sh. 10

CB1 - CB2



This document and its contents is owned by LU-VE Group or its affiliates and protected by laws governing intellectual property and thereto related rights. Without limiting any rights related to this document, no part of this document may be copied, reproduced or transmitted in any form or by any means (electronic, mechanical, photocopying, recording, or otherwise), or for any purpose, without the expressed permission of LU-VE Group. Nor may it be used in any other way or for any other purpose than expressly permitted by LU-VE Group. LU-VE Group will enforce its rights related to this document to the fullest extent of the law, including the seeking of criminal prosecution.

Technical data

Material: Polycarbonate
IP protection class: IP56
Color: RAL7035
Rated insulation voltage: 750V
Ambient temperature: -25/+60°C
Dimensions: 300x220x120 mm

02	New brand	18/12/2019	PCIA	User	ITALPCIA
01	Added layout	13/09/2017	PCIA	Proved	
Status	change	date	name		

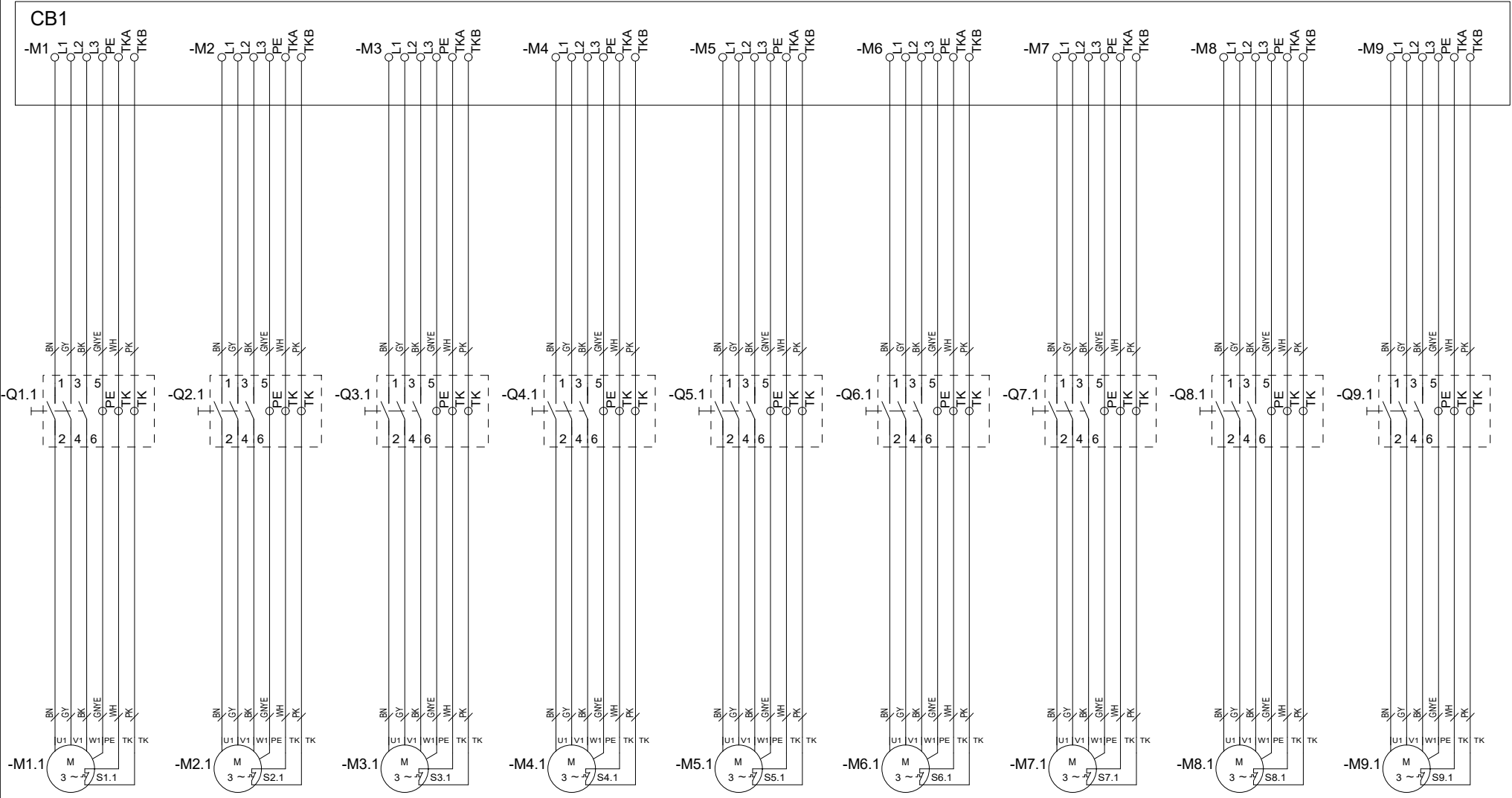


CONNECTION BOX LAYOUT
9 FANS - 1 PHASE

Document number: 9460165995-02

Sheet 8
 Sh. 10

This document and its contents are owned by LU-VE Group or its affiliates and protected by laws governing intellectual property and thereto related rights. Without limiting any rights related to this document, no part of this document may be copied, reproduced or transmitted in any form or by any means (electronic, mechanical, photocopying, recording, or otherwise), or for any purpose, without the expressed permission of LU-VE Group. Nor may it be used in any other way or for any other purpose than expressly permitted by LU-VE Group. LU-VE Group will enforce its rights related to this document to the fullest extent of the law, including the seeking of criminal prosecution.



**NOTE: switch for maintenance before motors are optional
motors number according the order**

02	New brand	18/12/2019	PCIA	User	ITALPCIA
01	Added layout	13/09/2017	PCIA	Proved	D. Rizzotti
Status	change	date	name		

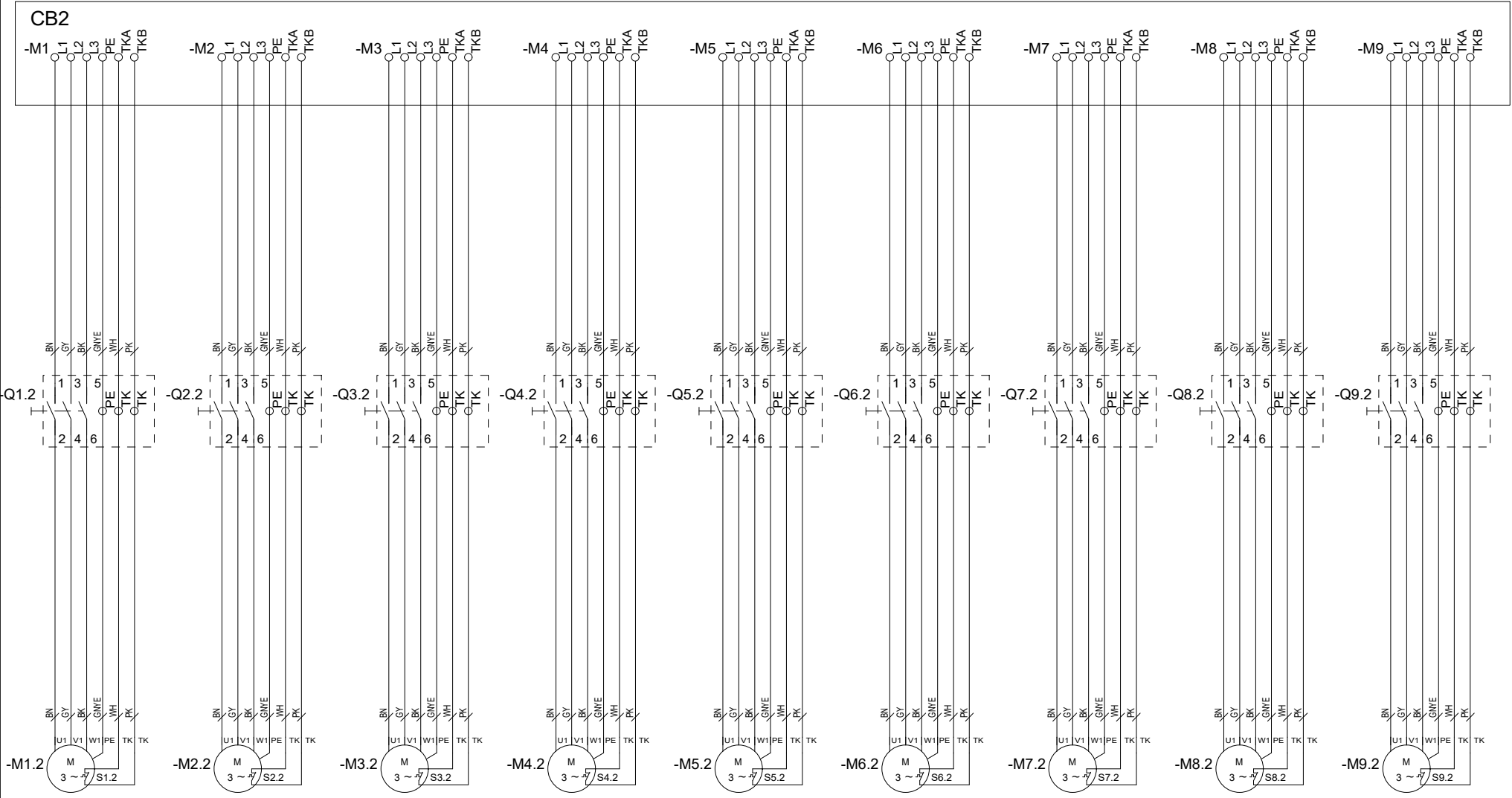


AC MOTORS POWER CONNECTION
3-phase motors

Document number: **9460165995-02**

Sheet 9
Sh. 10

This document and its contents are owned by LU-VE Group or its affiliates and protected by laws governing intellectual property and thereto related rights. Without limiting any rights related to this document, no part of this document may be copied, reproduced or transmitted in any form or by any means (electronic, mechanical, photocopying, recording, or otherwise), or for any purpose, without the expressed permission of LU-VE Group. Nor may it be used in any other way or for any other purpose than expressly permitted by LU-VE Group. LU-VE Group will enforce its rights related to this document to the fullest extent of the law, including the seeking of criminal prosecution.



**NOTE: switch for maintenance before motors are optional
motors number according the order**

02	New brand	18/12/2019	PCIA	User	ITALPCIA
01	Added layout	13/09/2017	PCIA	Proved	
Status	change	date	name		



AC MOTORS POWER CONNECTION
3-phase motors

Document number: **9460165995-02**