

ALFABLUE OIL COOLER 1 MODULE

drawing number: 9460174137



alfa.luvegroup.com

BOARD RATED VALUE

VOLTAGE DC	---
VOLTAGE AC	230V/400 Vac \pm 10%
FREQUENCY	50 - 60 Hz \pm 2%
POWER MAX	7,5 kW each motor
SHORT CIRCUIT CURRENT (Icc)	
IP DEGREE WITH CLOSED DOORS	IP66
IP DEGREE WITH OPENED DOORS	IP20

This document and its contents is owned by LU-VE Group or its affiliates and protected by laws governing intellectual property and thereto related rights. Without limiting any rights related to this document, no part of this document may be copied, reproduced or transmitted in any form or by any means (electronic, mechanical, photocopying, recording, or otherwise), or for any purpose, without the expressed permission of LU-VE Group. Nor may it be used in any other way or for any other purpose than expressly permitted by LU-VE Group. LU-VE Group will enforce its rights related to this document to the fullest extent of the law, including the seeking of criminal prosecution.

03	Added mirror unit version	28/01/2020	DPAA	date	28/01/2020
02	New brand	18/12/2019	DPAA	User	ITALDPAA
01	Added wiring for Left impeller	05/11/2018	PCIA	Proved	PCIA
Status	change	date	name		

ELECTRICAL WIRING
CONNECTION BOX



Cover

Document number: 9460174137-03

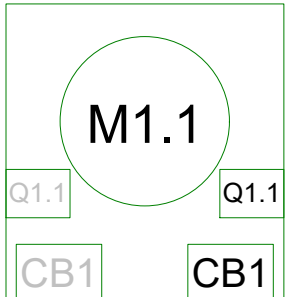
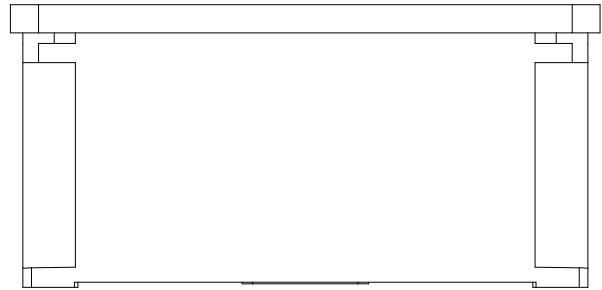
Sheet 1
Sh. 6

This document and its contents is owned by LU-VE Group or its affiliates and protected by laws governing intellectual property and thereto related rights. Without limiting any rights related to this document, no part of this document may be copied, reproduced or transmitted in any form or by any means (electronic, mechanical, photocopying, recording, or otherwise), or for any purpose, without the expressed permission of LU-VE Group. Nor may it be used in any other way or for any other purpose than expressly permitted by LU-VE Group. LU-VE Group will enforce its rights related to this document to the fullest extent of the law, including the seeking of criminal prosecution.

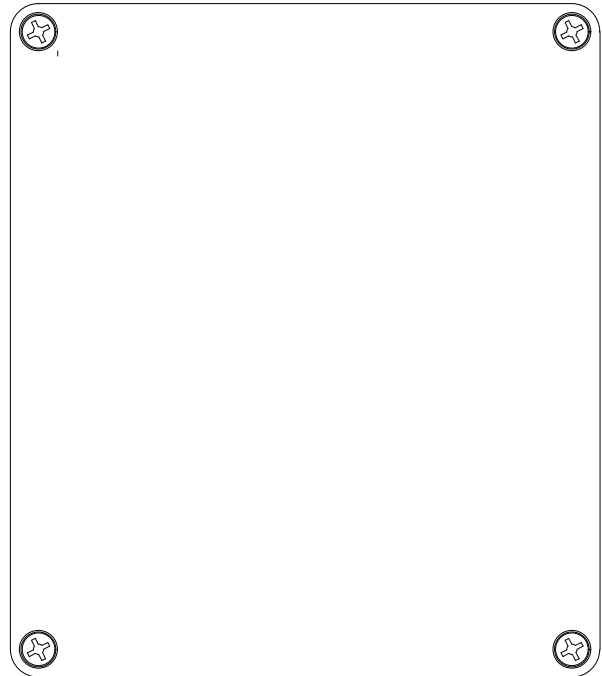
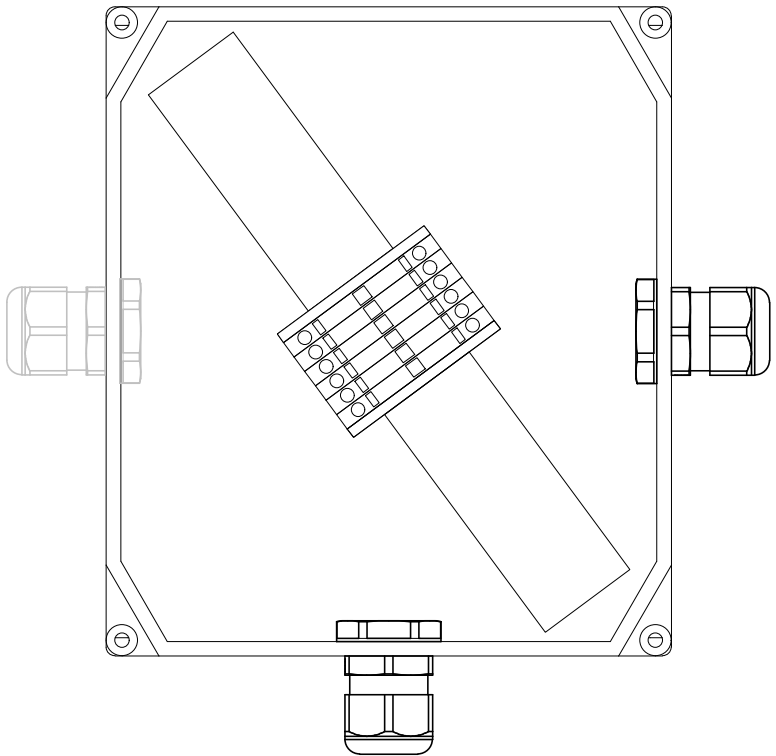
CB1

Technical data

Material: die-cast aluminium alloy
 IP protection class: IP66
 Color: RAL 9005 epoxy-polyester powder
 Ambient temperature: -50/+180°C
 Dimensions: 168x192x80mm



NOTE: The drawing does not indicate the correct position of components
NOTE: In grey colour are indicate the positions of CB, switch and cable gland for mirror unit version



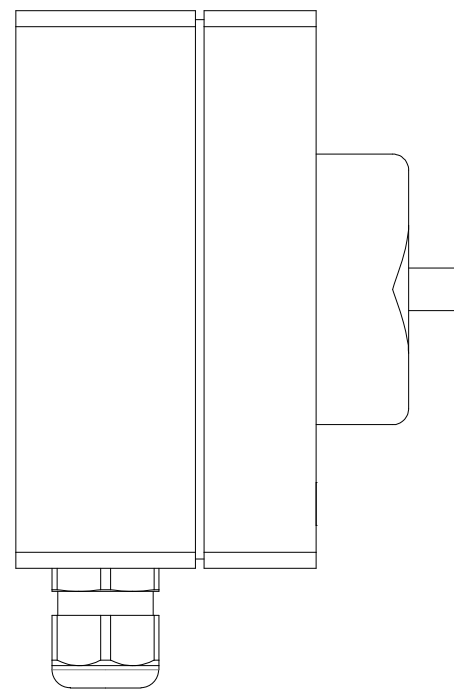
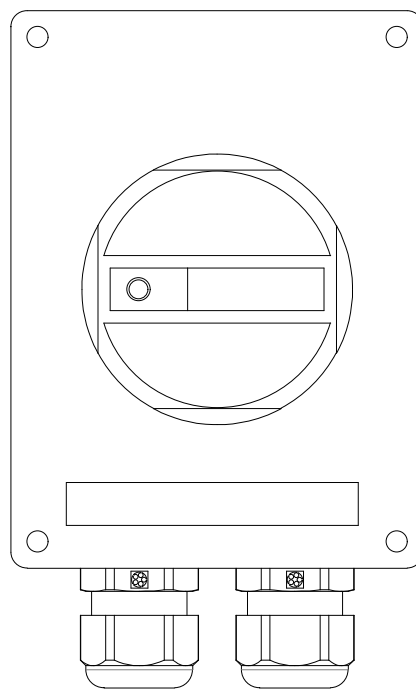
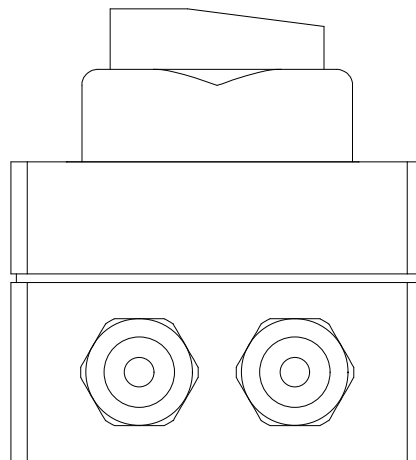
03	Added mirror unit version	28/01/2020	DPAA	date	28/01/2020
02	New brand	18/12/2019	DPAA	User	ITALDPAA
01	Added wiring for Left impeller	05/11/2018	PCIA	Proved	PCIA
Status	change	date	name		

ELECTRICAL WIRING CONNECTION BOX



Layout Unit & CB

Q1.1



Technical data

Material: Polycarbonate
 IP protection class: IP66
 Color: Grey/black
 Rated insulation voltage: 690V
 Rated operational current: 16A
 Ambient temperature: -40/+80°C

This document and its contents is owned by LU-VE Group or its affiliates and protected by laws governing intellectual property and thereto related rights. Without limiting any rights related to this document, no part of this document may be copied, reproduced or transmitted in any form or by any means (electronic, mechanical, photocopying, recording, or otherwise), or for any purpose, without the expressed permission of LU-VE Group. Nor may it be used in any other way or for any other purpose than expressly permitted by LU-VE Group. LU-VE Group will enforce its rights related to this document to the fullest extent of the law, including the seeking of criminal prosecution.

03	Added mirror unit version	28/01/2020	DPAA	date	28/01/2020
02	New brand	18/12/2019	DPAA	User	ITALDPAA
01	Added wiring for Left impeller	05/11/2018	PCIA	Proved	PCIA
Status	change	date	name		

ELECTRICAL WIRING
CONNECTION BOX

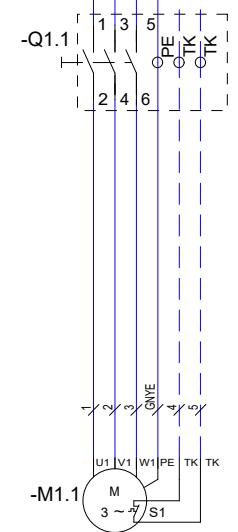
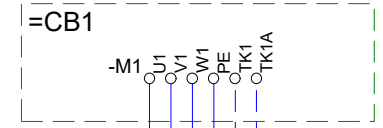
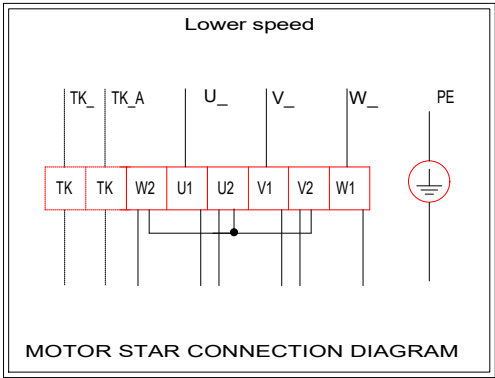
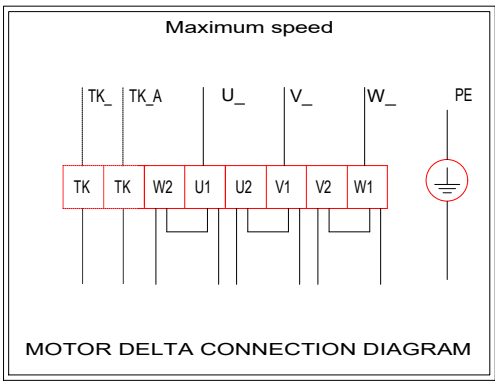


SWITCH LAYOUT

Document number: 9460174137-03

Sheet 4
Sh. 6

This document and its contents is owned by LU-VE Group or its affiliates and protected by laws governing intellectual property and thereto related rights. Without limiting any rights related to this document, no part of this document may be copied, reproduced or transmitted in any form or by any means (electronic, mechanical, photocopying, recording, or otherwise), or for any purpose, without the expressed permission of LU-VE Group. Nor may it be used in any other way or for any other purpose than expressly permitted by LU-VE Group. LU-VE Group will enforce its rights related to this document to the fullest extent of the law, including the seeking of criminal prosecution.



NOTE: if present, the temperature monitor device must be integrated in control circuit to open power supply circuit if a fault occur and to avoid power on after motor has cooled down

MOTOR SWITCH (Q1.1) IS OPTIONAL

03	Added mirror unit version	28/01/2020	DPAA	date	28/01/2020
02	New brand	18/12/2019	DPAA	User	ITALDPAA
01	Added wiring for Left impeller	05/11/2018	PCIA	Proved	PCIA
Status	change	date	name		

ELECTRICAL WIRING CONNECTION BOX

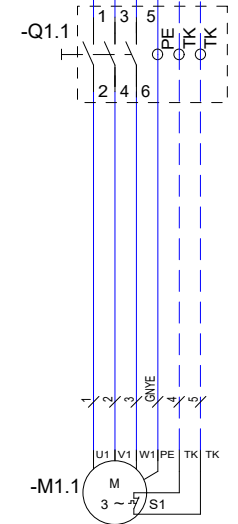
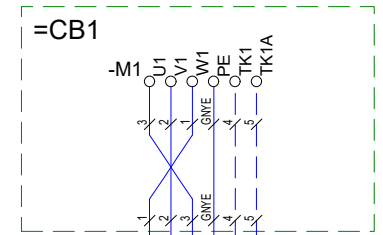
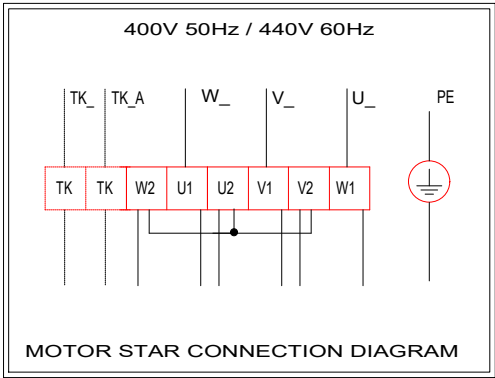
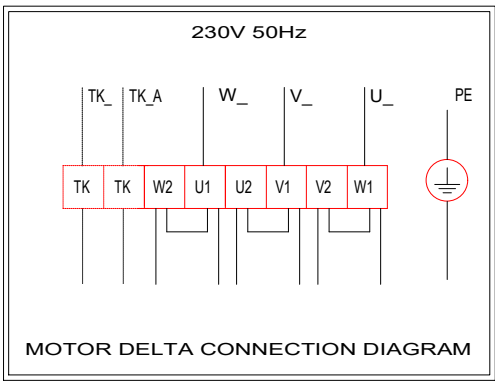


Wiring diagram
EBM-Papast and Ziehl Abegg Motors

Document number: 9460174137-03

Sheet	5
Sh.	6

This document and its contents is owned by LU-VE Group or its affiliates and protected by laws governing intellectual property and thereto related rights. Without limiting any rights related to this document, no part of this document may be copied, reproduced or transmitted in any form or by any means (electronic, mechanical, photocopying, recording, or otherwise), or for any purpose, without the expressed permission of LU-VE Group. Nor may it be used in any other way or for any other purpose than expressly permitted by LU-VE Group. LU-VE Group will enforce its rights related to this document to the fullest extent of the law, including the seeking of criminal prosecution.



NOTE: if present, the temperature monitor device must be integrated in control circuit to open power supply circuit if a fault occur and to avoid power on after motor has cooled down

MOTOR SWITCH (Q1.1) IS OPTIONAL

O3	Added mirror unit version	28/01/2020	DPAA	date	28/01/2020
O2	New brand	18/12/2019	DPAA	User	ITALDPAA
O1	Added wiring for Left impeller	05/11/2018	PCIA	Proved	PCIA
Status	change	date	name		

ELECTRICAL WIRING CONNECTION BOX



Wiring diagram
IEC Motors-rotation counterclockwise

Document number: 9460174137-03

Sheet 6
Sh. 6

ALFABLUE OIL COOLER 2 MODULE

drawing number: 9460174138



alfa.luvegroup.com

BOARD RATED VALUE

VOLTAGE DC	---
VOLTAGE AC	230V/400 Vac \pm 10%
FREQUENCY	50 - 60 Hz \pm 2%
POWER MAX	7,5 kW each motor
SHORT CIRCUIT CURRENT (Icc)	
IP DEGREE WITH CLOSED DOORS	IP66
IP DEGREE WITH OPENED DOORS	IP20

This document and its contents is owned by LU-VE Group or its affiliates and protected by laws governing intellectual property and thereto related rights. Without limiting any rights related to this document, no part of this document may be copied, reproduced or transmitted in any form or by any means (electronic, mechanical, photocopying, recording, or otherwise), or for any purpose, without the expressed permission of LU-VE Group. Nor may it be used in any other way or for any other purpose than expressly permitted by LU-VE Group. LU-VE Group will enforce its rights related to this document to the fullest extent of the law, including the seeking of criminal prosecution.

03	Added mirror unit version	28/01/2020	DPAA	date	28/01/2020
02	New brand	18/12/2019	DPAA	User	ITALDPAA
01	Added wiring for Left impeller	23/10/2018	PCIA	Proved	PCIA
Status	change	date	name		

ELECTRICAL WIRING
CONNECTION BOX



Cover

Document number: 9460174138-03

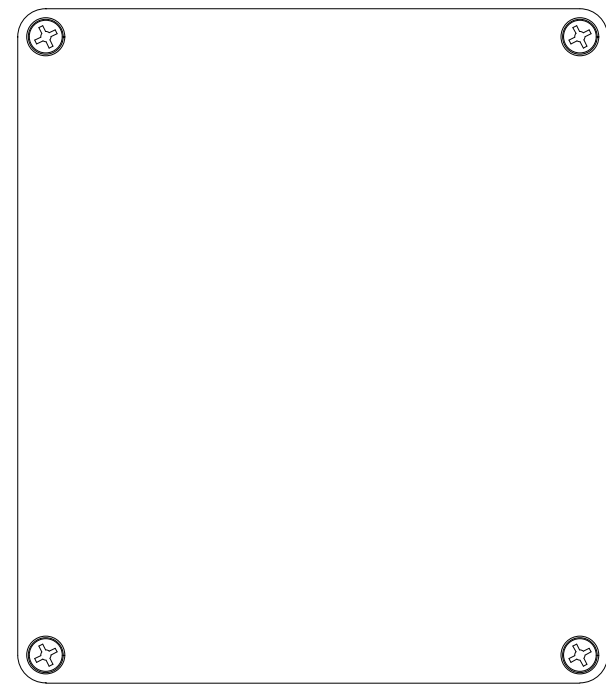
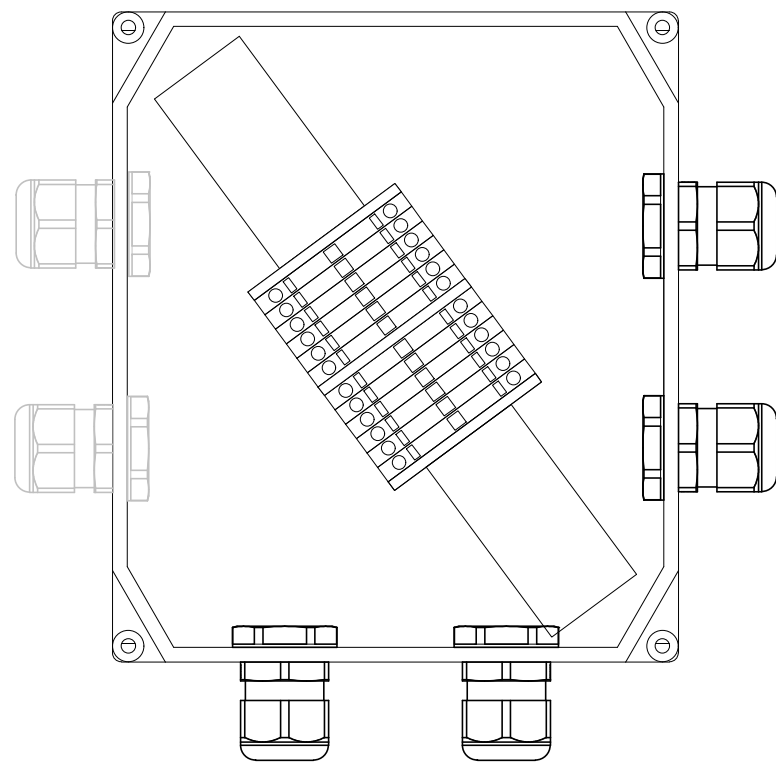
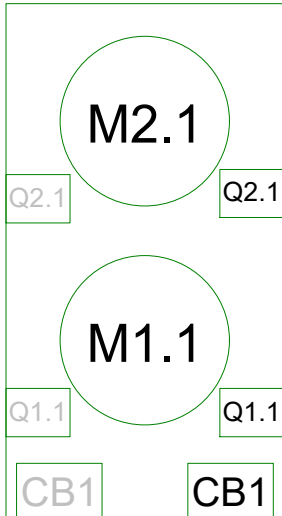
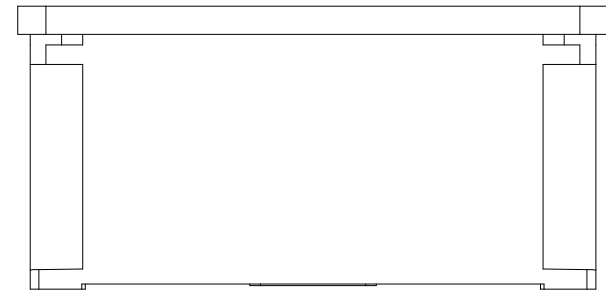
Sheet 1
Sh. 6

This document and its contents is owned by LU-VE Group or its affiliates and protected by laws governing intellectual property and thereto related rights. Without limiting any rights related to this document, no part of this document may be copied, reproduced or transmitted in any form or by any means (electronic, mechanical, photocopying, recording, or otherwise), or for any purpose, without the expressed permission of LU-VE Group. Nor may it be used in any other way or for any other purpose than expressly permitted by LU-VE Group. LU-VE Group will enforce its rights related to this document to the fullest extent of the law, including the seeking of criminal prosecution.

CB1

Technical data

Material: die-cast aluminium alloy
 IP protection class: IP66
 Color: RAL 9005 epoxy-polyester powder
 Ambient temperature: -50/+180°C
 Dimensions: 168x192x80mm



NOTE: The drawing does not indicate the correct position of components
NOTE: In grey colour are indicate the positions of CB, switch and cable gland for mirror unit

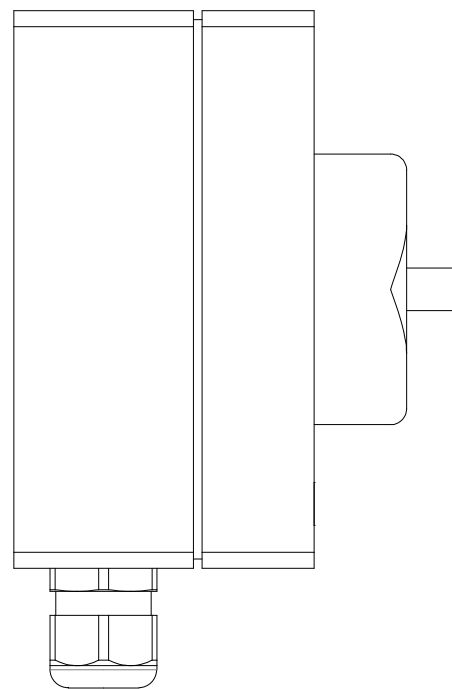
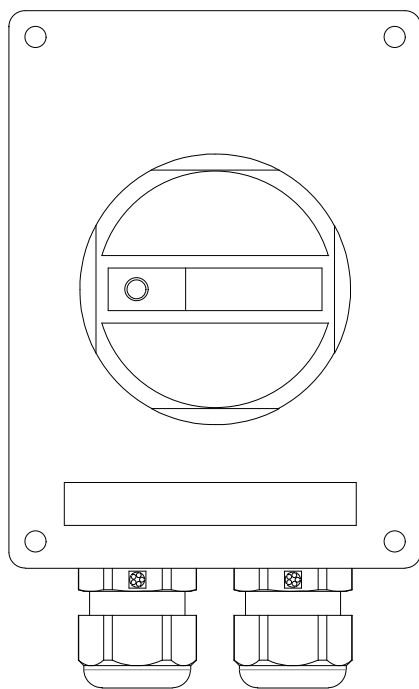
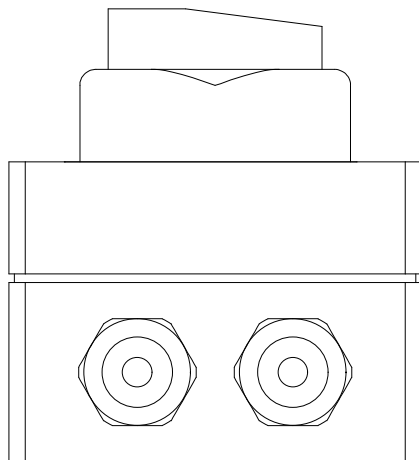
O3	Added mirror unit version	28/01/2020	DPAA	date	28/01/2020
O2	New brand	18/12/2019	DPAA	User	ITALDPAA
O1	Added wiring for Left impeller	23/10/2018	PCIA	Proved	PCIA
Status	change	date	name		

ELECTRICAL WIRING CONNECTION BOX



Layout Unit & CB

Q1.1 - Q2.1



Technical data

Material: Polycarbonate
 IP protection class: IP66
 Color: Grey/black
 Rated insulation voltage: 690V
 Rated operational current: 16A
 Ambient temperature: -40/+80°C

This document and its contents is owned by LU-VE Group or its affiliates and protected by laws governing intellectual property and thereto related rights. Without limiting any rights related to this document, no part of this document may be copied, reproduced or transmitted in any form or by any means (electronic, mechanical, photocopying, recording, or otherwise), or for any purpose, without the expressed permission of LU-VE Group. Nor may it be used in any other way or for any other purpose than expressly permitted by LU-VE Group. LU-VE Group will enforce its rights related to this document to the fullest extent of the law, including the seeking of criminal prosecution.

03	Added mirror unit version	28/01/2020	DPAA	date	28/01/2020
02	New brand	18/12/2019	DPAA	User	ITALDPAA
01	Added wiring for Left impeller	23/10/2018	PCIA	Proved	PCIA
Status	change	date	name		

ELECTRICAL WIRING
CONNECTION BOX

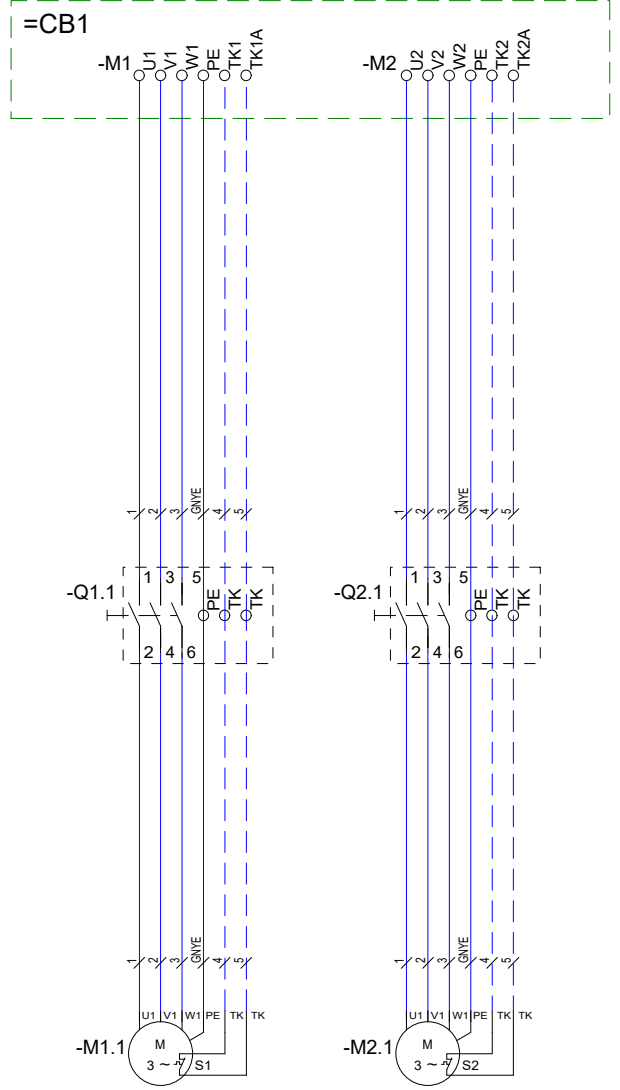
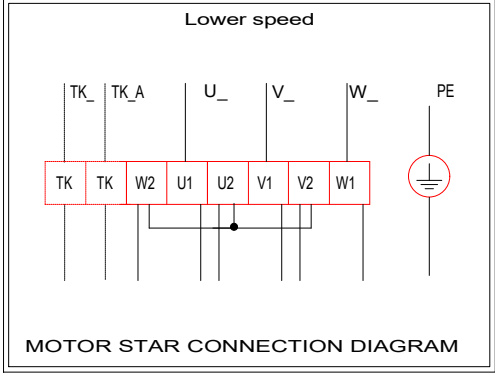
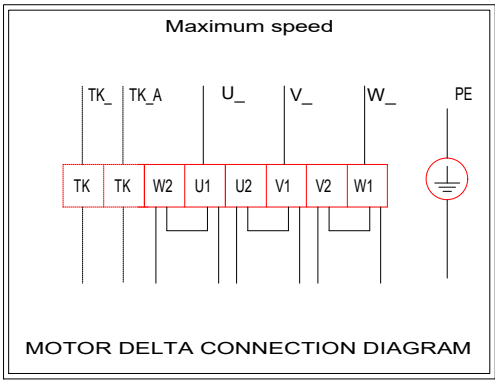


SWITCH LAYOUT

Document number: 9460174138-03

Sheet 4
Sh. 6

This document and its contents is owned by LU-VE Group or its affiliates and protected by laws governing intellectual property and thereto related rights. Without limiting any rights related to this document, no part of this document may be copied, reproduced or transmitted in any form or by any means (electronic, mechanical, photocopying, recording, or otherwise), or for any purpose, without the expressed permission of LU-VE Group. Nor may it be used in any other way or for any other purpose than expressly permitted by LU-VE Group. LU-VE Group will enforce its rights related to this document to the fullest extent of the law, including the seeking of criminal prosecution.



NOTE: if present, the temperature monitor device must be integrated in control circuit to open power supply circuit if a fault occur and to avoid power on after motor has cooled down

MOTORS SWITCHES (Q1.1, Q2.1) ARE OPTIONAL

O3	Added mirror unit version	28/01/2020	DPAA	date	28/01/2020
O2	New brand	18/12/2019	DPAA	User	ITALDPAA
O1	Added wiring for Left impeller	23/10/2018	PCIA	Proved	PCIA
Status	change	date	name		

ELECTRICAL WIRING CONNECTION BOX

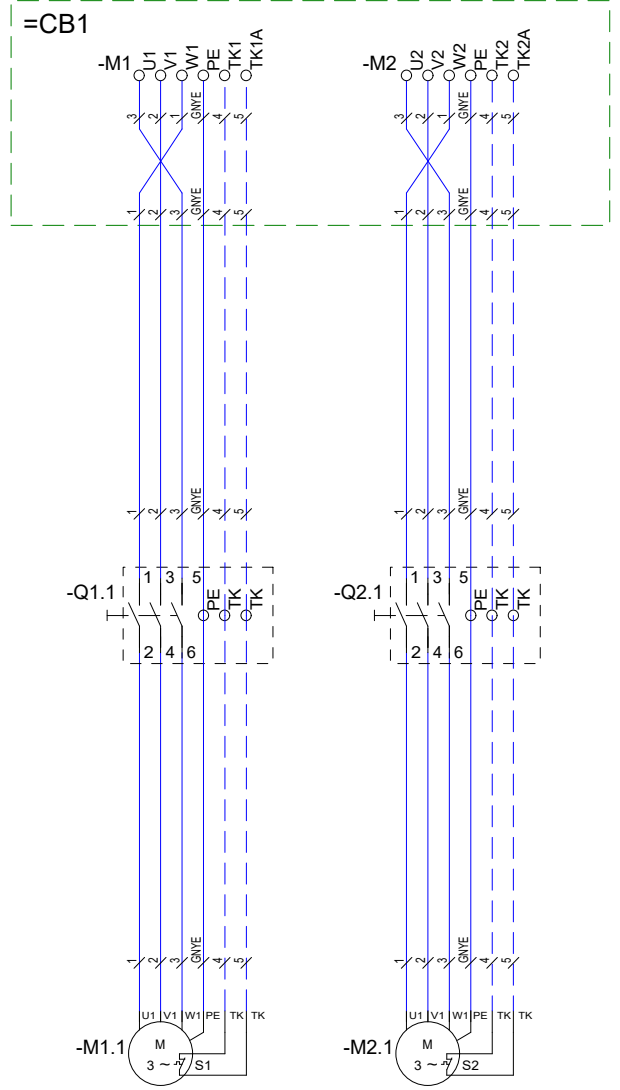
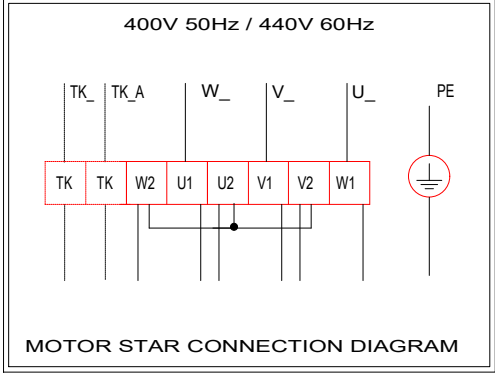
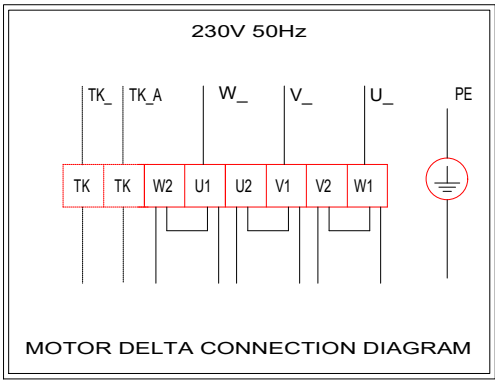


Wiring diagram
EBM-Papast and Ziehl Abegg Motors

Document number: 9460174138-03

Sheet 5
Sh. 6

This document and its contents is owned by LU-VE Group or its affiliates and protected by laws governing intellectual property and thereto related rights. Without limiting any rights related to this document, no part of this document may be copied, reproduced or transmitted in any form or by any means (electronic, mechanical, photocopying, recording, or otherwise), or for any purpose, without the expressed permission of LU-VE Group. Nor may it be used in any other way or for any other purpose than expressly permitted by LU-VE Group. LU-VE Group will enforce its rights related to this document to the fullest extent of the law, including the seeking of criminal prosecution.



NOTE: if present, the temperature monitor device must be integrated in control circuit to open power supply circuit if a fault occur and to avoid power on after motor has cooled down

MOTORS SWITCHES (Q1.1, Q2.1) ARE OPTIONAL

O3	Added mirror unit version	28/01/2020	DPAA	date	28/01/2020
O2	New brand	18/12/2019	DPAA	User	ITALDPAA
O1	Added wiring for Left impeller	23/10/2018	PCIA	Proved	PCIA
Status	change	date	name		

ELECTRICAL WIRING CONNECTION BOX



Wiring diagram
IEC Motors-rotation counterclockwise

Document number: 9460174138-03

Sheet 6
Sh. 6

ALFABLUE OIL COOLER 3 MODULE

drawing number: 9460174139



alfa.luvegroup.com

BOARD RATED VALUE

VOLTAGE DC	---
VOLTAGE AC	230V/400 Vac \pm 10%
FREQUENCY	50 - 60 Hz \pm 2%
POWER MAX	7,5 kW each motor
SHORT CIRCUIT CURRENT (Icc)	
IP DEGREE WITH CLOSED DOORS	IP66
IP DEGREE WITH OPENED DOORS	IP20

This document and its contents is owned by LU-VE Group or its affiliates and protected by laws governing intellectual property and thereto related rights. Without limiting any rights related to this document, no part of this document may be copied, reproduced or transmitted in any form or by any means (electronic, mechanical, photocopying, recording, or otherwise), or for any purpose, without the expressed permission of LU-VE Group. Nor may it be used in any other way or for any other purpose than expressly permitted by LU-VE Group. LU-VE Group will enforce its rights related to this document to the fullest extent of the law, including the seeking of criminal prosecution.

03	Added mirror unit version	28/01/2020	DPAA	date	28/01/2020
02	New brand	18/12/2019	DPAA	User	ITALDPAA
01	Added wiring for Left impeller	05/11/2018	PCIA	Proved	PCIA
Status	change	date	name		

ELECTRICAL WIRING
CONNECTION BOX



Cover

Document number: 9460174139-03

Sheet	1
Sh.	6

REVISION

N°	Date	Description
00	13/09/2017	Emission
01	05/11/2018	Added wiring for Left impeller
02	18/12/2019	New brand
03	28/01/2020	Added mirror unit version

INDEX

Sheet	Description
1	Cover
2	Index & Revisions
3	Layout Unit & CB
4	SWITCH LAYOUT
5	Wiring diagram
6	Wiring diagram IEC Motors-rotation counterclockwise

This document and its contents is owned by LU-VE Group or its affiliates and protected by laws governing intellectual property and the related rights. Without limiting any rights related to this document, no part of this document may be copied, reproduced or transmitted in any form or by any means (electronic, mechanical, photocopying, recording, or otherwise), or for any purpose, without the expressed permission of LU-VE Group. Nor may it be used in any other way or for any other purpose than expressly permitted by LU-VE Group. LU-VE Group will enforce its rights related to this document to the fullest extent of the law, including the seeking of criminal prosecution.

03	Added mirror unit version	28/01/2020	DPAA	date	28/01/2020
02	New brand	18/12/2019	DPAA	User	ITALDPAA
01	Added wiring for Left impeller	05/11/2018	PCIA	Proved	PCIA
Status	change	date	name		

ELECTRICAL WIRING CONNECTION BOX



Index & Revisions

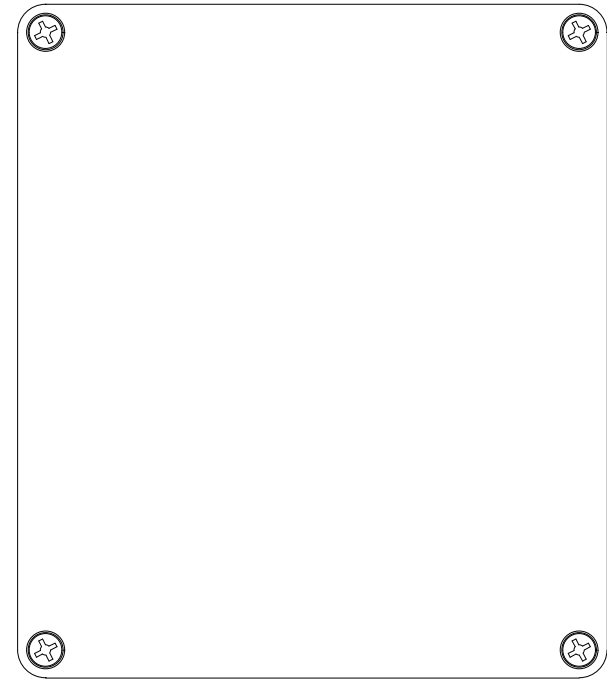
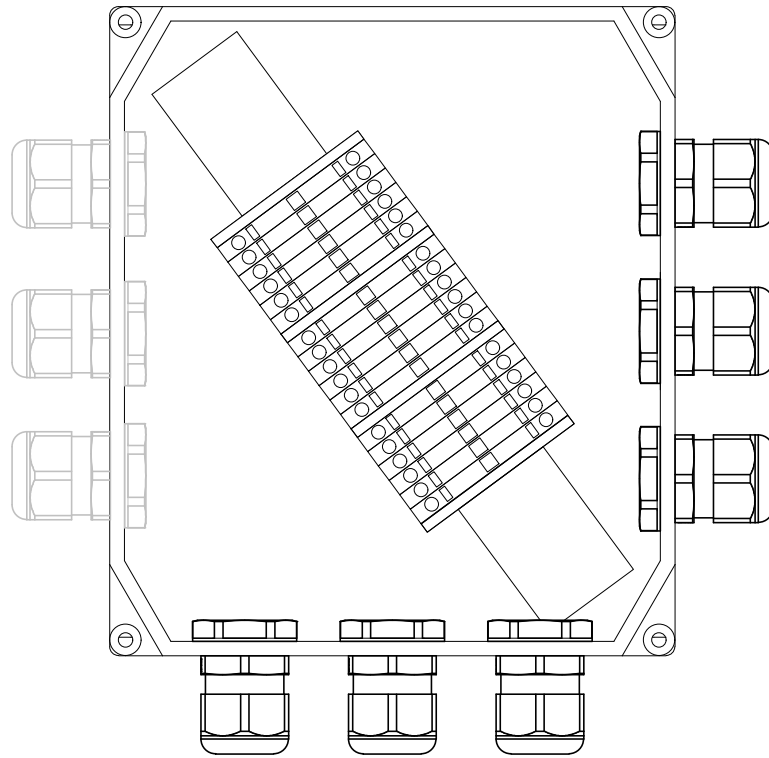
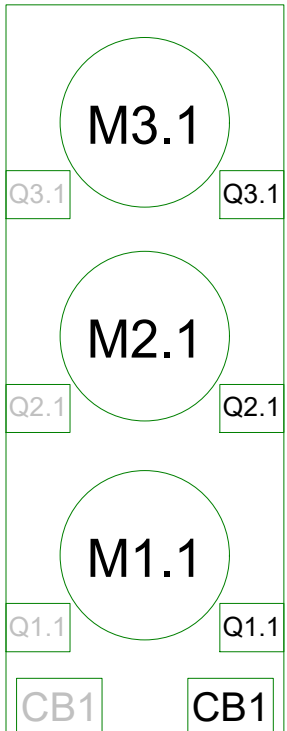
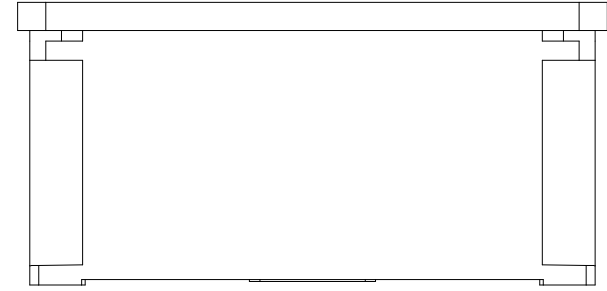
Document number:	9460174139-03	Sheet 2
		Sh. 6

This document and its contents is owned by LU-VE Group or its affiliates and protected by laws governing intellectual property and thereto related rights. Without limiting any rights related to this document, no part of this document may be copied, reproduced or transmitted in any form or by any means (electronic, mechanical, photocopying, recording, or otherwise), or for any purpose, without the expressed permission of LU-VE Group. Nor may it be used in any other way or for any other purpose than expressly permitted by LU-VE Group. LU-VE Group will enforce its rights related to this document to the fullest extent of the law, including the seeking of criminal prosecution.

CB1

Technical data

Material: die-cast aluminium alloy
 IP protection class: IP66
 Color: RAL 9005 epoxy-polyester powder
 Ambient temperature: -50/+180°C
 Dimensions: 168x192x80mm



NOTE: The drawing does not indicate the correct position of components
NOTE: In grey colour are indicate the positions of CB, switch and cable gland for mirror unit

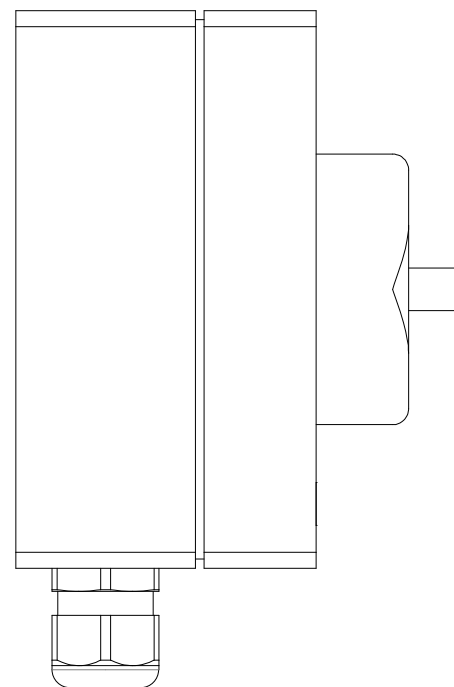
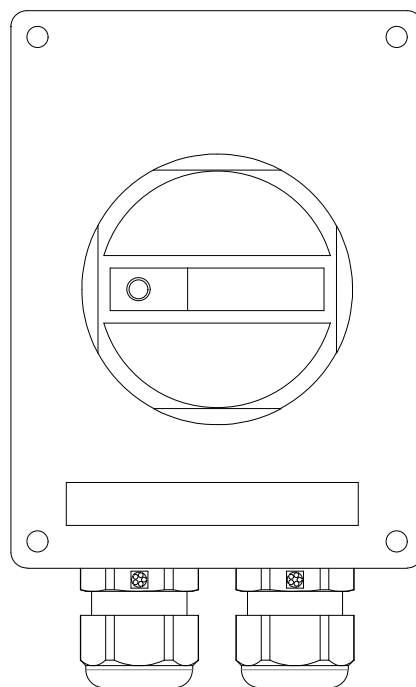
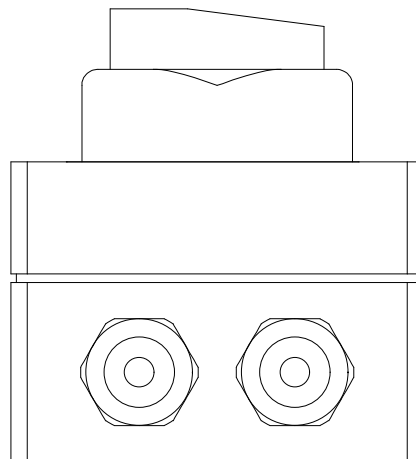
03	Added mirror unit version	28/01/2020	DPAA	date	28/01/2020
02	New brand	18/12/2019	DPAA	User	ITALDPAA
01	Added wiring for Left impeller	05/11/2018	PCIA	Proved	PCIA
Status	change	date	name		

ELECTRICAL WIRING CONNECTION BOX



Layout Unit & CB

Q1.1 - Q3.1



Technical data

Material: Polycarbonate
 IP protection class: IP66
 Color: Grey/black
 Rated insulation voltage: 690V
 Rated operational current: 16A
 Ambient temperature: -40/+80°C

This document and its contents is owned by LU-VE Group or its affiliates and protected by laws governing intellectual property and thereto related rights. Without limiting any rights related to this document, no part of this document may be copied, reproduced or transmitted in any form or by any means (electronic, mechanical, photocopying, recording, or otherwise), or for any purpose, without the expressed permission of LU-VE Group. Nor may it be used in any other way or for any other purpose than expressly permitted by LU-VE Group. LU-VE Group will enforce its rights related to this document to the fullest extent of the law, including the seeking of criminal prosecution.

03	Added mirror unit version	28/01/2020	DPAA	date	28/01/2020
02	New brand	18/12/2019	DPAA	User	ITALDPAA
01	Added wiring for Left impeller	05/11/2018	PCIA	Proved	PCIA
Status	change	date	name		

**ELECTRICAL WIRING
 CONNECTION BOX**

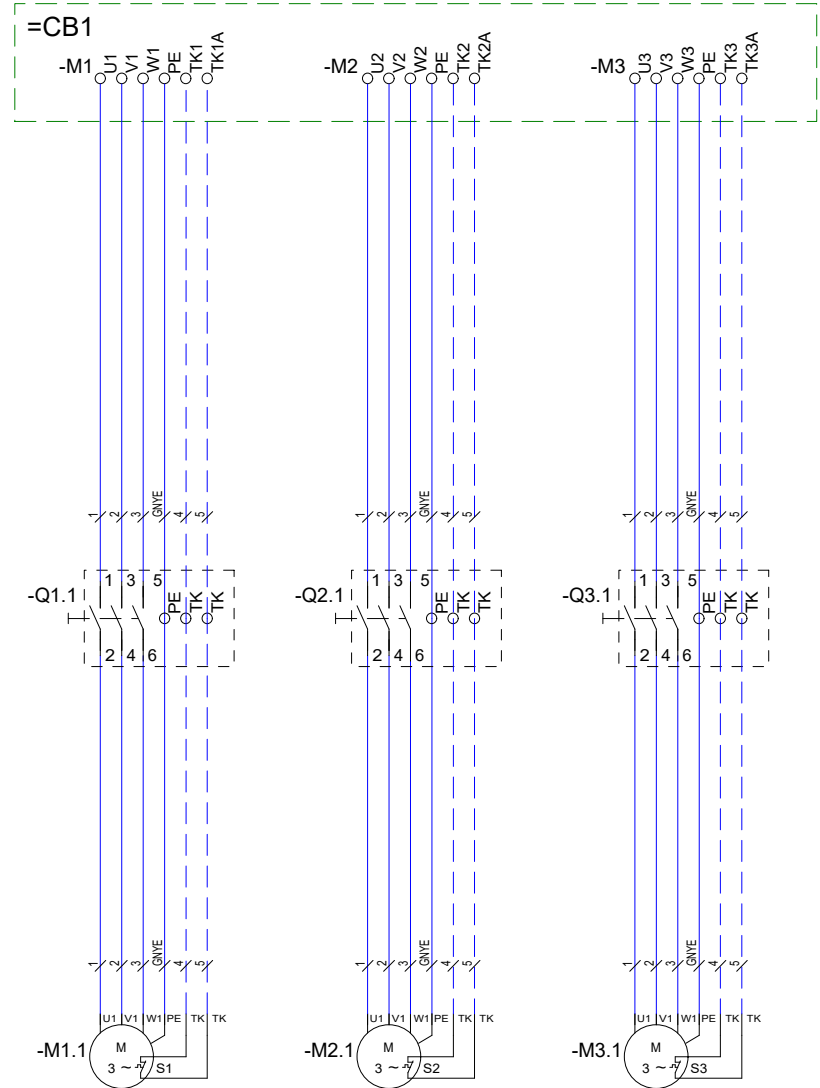
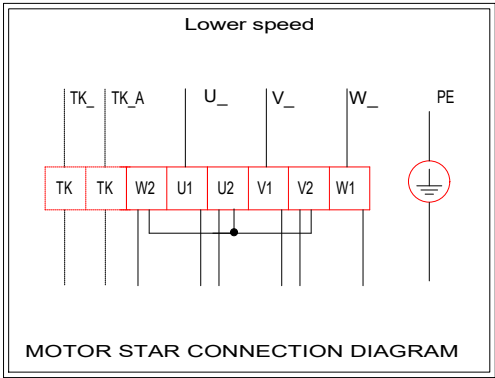
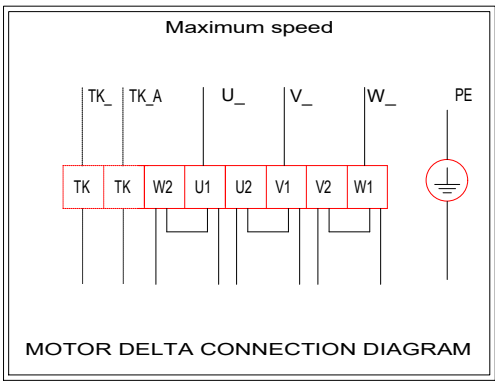


SWITCH LAYOUT

Document number: 9460174139-03

Sheet 4
 Sh. 6

This document and its contents is owned by LU-VE Group or its affiliates and protected by laws governing intellectual property and thereto related rights. Without limiting any rights related to this document, no part of this document may be copied, reproduced or transmitted in any form or by any means (electronic, mechanical, photocopying, recording, or otherwise), or for any purpose, without the expressed permission of LU-VE Group. Nor may it be used in any other way or for any other purpose than expressly permitted by LU-VE Group. LU-VE Group will enforce its rights related to this document to the fullest extent of the law, including the seeking of criminal prosecution.



NOTE: if present, the temperature monitor device must be integrated in control circuit to open power supply circuit if a fault occur and to avoid power on after motor has cooled down

MOTORS SWITCHES (Q1.1, Q2.1, Q3.1) ARE OPTIONAL

O3	Added mirror unit version	28/01/2020	DPAA	date	28/01/2020
O2	New brand	18/12/2019	DPAA	User	ITALDPAA
O1	Added wiring for Left impeller	05/11/2018	PCIA	Proved	PCIA
Status	change	date	name		

ELECTRICAL WIRING CONNECTION BOX

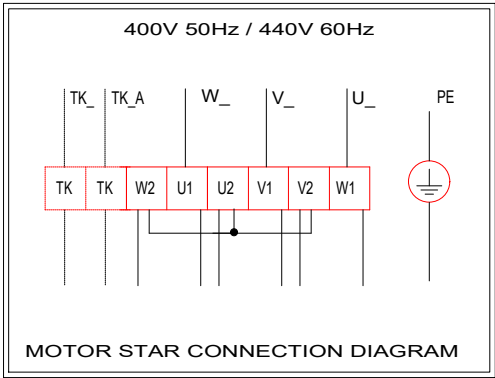
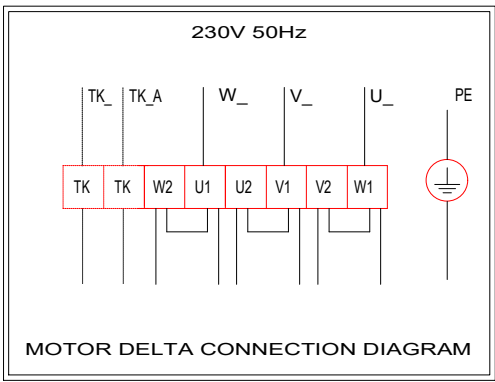


Wiring diagram
EBM-Papast and Ziehl Abegg Motors

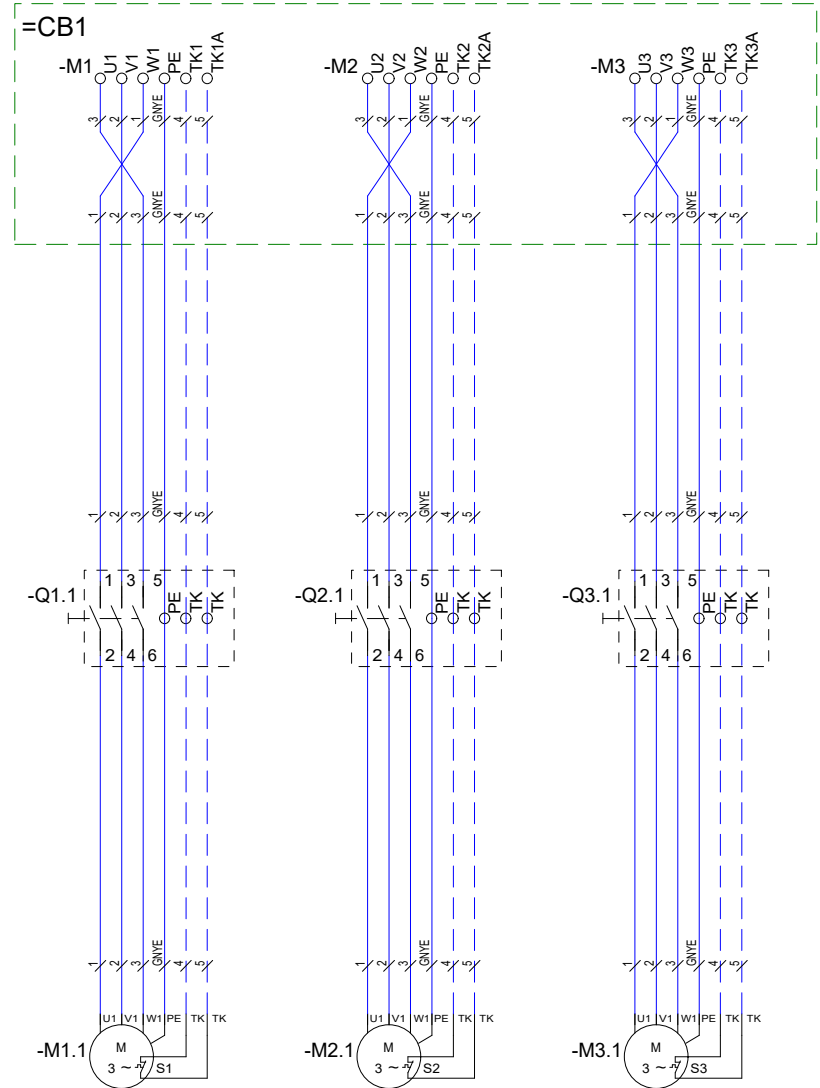
Document number: 9460174139-03

Sheet 5
Sh. 6

This document and its contents is owned by LU-VE Group or its affiliates and protected by laws governing intellectual property and thereto related rights. Without limiting any rights related to this document, no part of this document may be copied, reproduced or transmitted in any form or by any means (electronic, mechanical, photocopying, recording, or otherwise), or for any purpose, without the expressed permission of LU-VE Group. Nor may it be used in any other way or for any other purpose than expressly permitted by LU-VE Group. LU-VE Group will enforce its rights related to this document to the fullest extent of the law, including the seeking of criminal prosecution.



NOTE: if present, the temperature monitor device must be integrated in control circuit to open power supply circuit if a fault occur and to avoid power on after motor has cooled down



MOTORS SWITCHES (Q1.1, Q2.1, Q3.1) ARE OPTIONAL

O3	Added mirror unit version	28/01/2020	DPAA	date	28/01/2020
O2	New brand	18/12/2019	DPAA	User	ITALDPAA
O1	Added wiring for Left impeller	05/11/2018	PCIA	Proved	PCIA
Status	change	date	name		

ELECTRICAL WIRING CONNECTION BOX



Wiring diagram IEC Motors-rotation counterclockwise

Document number: 9460174139-03

Sheet 6 Sh. 6

ALFABLUE OIL COOLER 4 MODULE

drawing number: 9460174140



alfa.luvegroup.com

BOARD RATED VALUE

VOLTAGE DC	---
VOLTAGE AC	230V/400 Vac \pm 10%
FREQUENCY	50 - 60 Hz \pm 2%
POWER MAX	7,5 kW each motors
SHORT CIRCUIT CURRENT (Icc)	
IP DEGREE WITH CLOSED DOORS	IP66
IP DEGREE WITH OPENED DOORS	IP20

This document and its contents is owned by LU-VE Group or its affiliates and protected by laws governing intellectual property and thereto related rights. Without limiting any rights related to this document, no part of this document may be copied, reproduced or transmitted in any form or by any means (electronic, mechanical, photocopying, recording, or otherwise), or for any purpose, without the expressed permission of LU-VE Group. Nor may it be used in any other way or for any other purpose than expressly permitted by LU-VE Group. LU-VE Group will enforce its rights related to this document to the fullest extent of the law, including the seeking of criminal prosecution.

03	Mirror un.	28/01/2020	DPAA	date	28/01/2020
02	New brand	18/12/2019	DPAA	User	ITALDPAA
01	Added wiring for Left impeller	05/11/2018	PCIA	Proved	PCIA
Status	change	date	name		

ELECTRICAL WIRING
CONNECTION BOX



Cover

Document number: 9460174140-03

Sheet	1
Sh.	6

This document and its contents is owned by LU-VE Group or its affiliates and protected by laws governing intellectual property and thereto related rights. Without limiting any rights related to this document, no part of this document may be copied, reproduced or transmitted in any form or by any means (electronic, mechanical, photocopying, recording, or otherwise), or for any purpose, without the expressed permission of LU-VE Group. Nor may it be used in any other way or for any other purpose than expressly permitted by LU-VE Group. LU-VE Group will enforce its rights related to this document to the fullest extent of the law, including the seeking of criminal prosecution.

INDEX

Sheet	Description
1	Cover
2	Index & Revisions
3	Layout Unit & CB
4	SWITCH LAYOUT
5	Wiring diagram
6	Wiring diagram IEC Motors-rotation counterclockwise

REVISION

N°	Date	Description
00	13/09/2017	Emission
01	05/11/2018	Added wiring for Left impeller
02	18/12/2019	New brand
03	28/01/2020	Added mirror unit version

03	Mirror un.	28/01/2020	DPAA	date	28/01/2020
02	New brand	18/12/2019	DPAA	User	ITALDPAA
01	Added wiring for Left impeller	05/11/2018	PCIA	Proved	PCIA
Status	change	date	name		

**ELECTRICAL WIRING
CONNECTION BOX**



Index & Revisions

Document number: **9460174140-03**

Sheet	2
Sh.	6

This document and its contents is owned by LU-VE Group or its affiliates and protected by laws governing intellectual property and thereto related rights. Without limiting any rights related to this document, no part of this document may be copied, reproduced or transmitted in any form or by any means (electronic, mechanical, photocopying, recording, or otherwise), or for any purpose, without the expressed permission of LU-VE Group. Nor may it be used in any other way or for any other purpose than expressly permitted by LU-VE Group. LU-VE Group will enforce its rights related to this document to the fullest extent of the law, including the seeking of criminal prosecution.

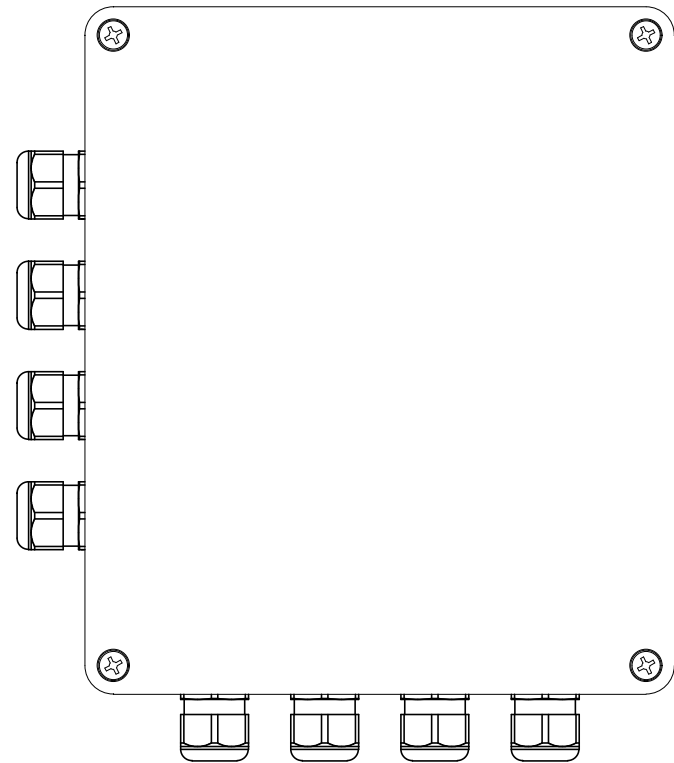
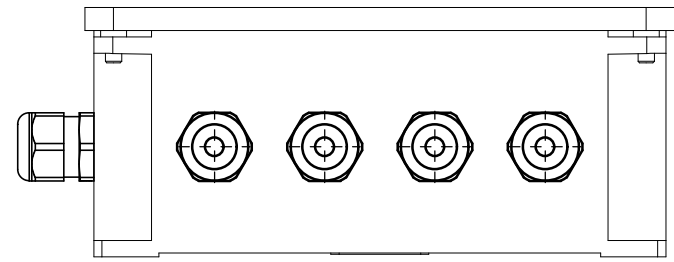
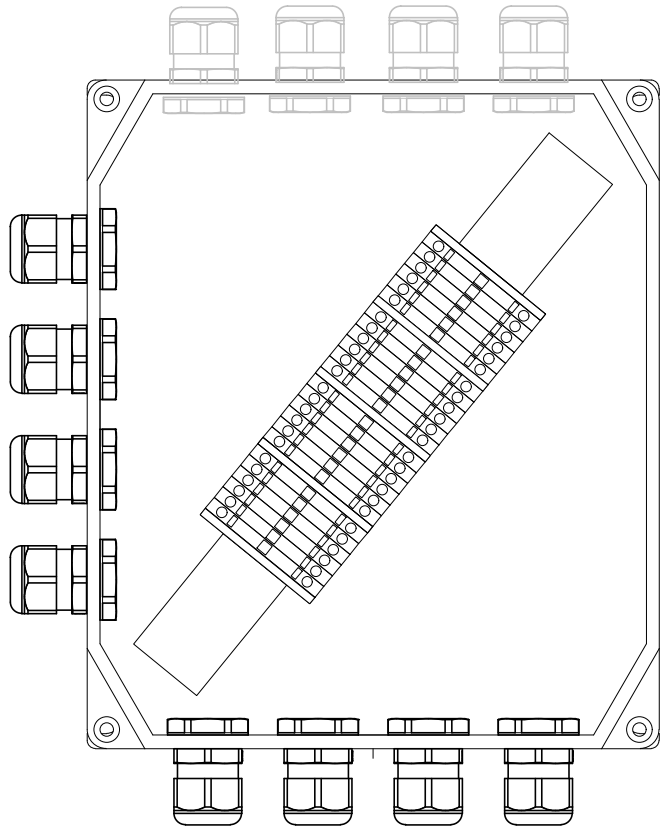


NOTE: The drawing does not indicate the correct position of components
NOTE: In grey colour are indicate the positions of CB, switch and cable gland for mirror unit

CB1

Technical data

Material: die-cast aluminium alloy
 IP protection class: IP66
 Color: RAL 9005 epoxy-polyester powder
 Ambient temperature: -50/+180°C
 Dimensions: 217x253x93mm



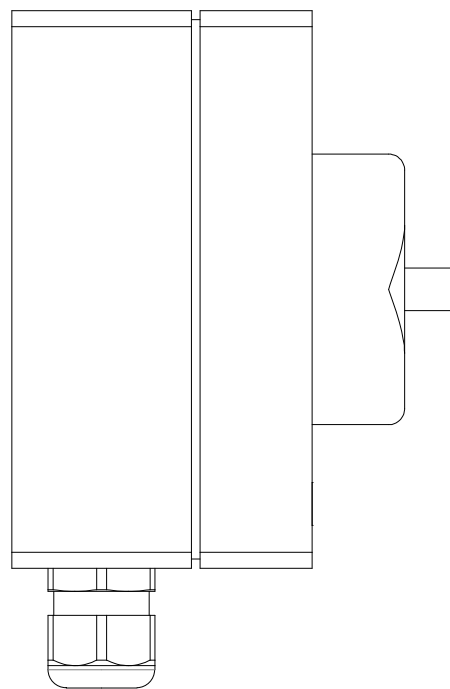
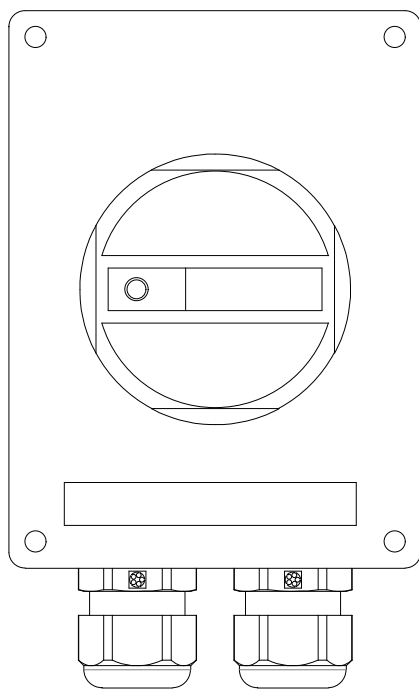
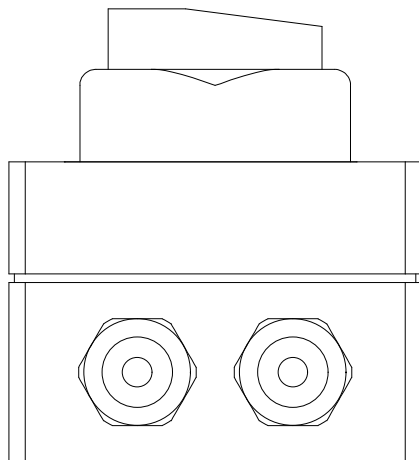
03	Mirror un.	28/01/2020	DPAA	date	28/01/2020
02	New brand	18/12/2019	DPAA	User	ITALDPAA
01	Added wiring for Left impeller	05/11/2018	PCIA	Proved	PCIA
Status	change	date	name		

ELECTRICAL WIRING CONNECTION BOX



Layout Unit & CB

Q1.1 - Q4.1



Technical data

Material: Polycarbonate
 IP protection class: IP66
 Color: Grey/black
 Rated insulation voltage: 690V
 Rated operational current: 16A
 Ambient temperature: -40/+80°C

This document and its contents is owned by LU-VE Group or its affiliates and protected by laws governing intellectual property and thereto related rights. Without limiting any rights related to this document, no part of this document may be copied, reproduced or transmitted in any form or by any means (electronic, mechanical, photocopying, recording, or otherwise), or for any purpose, without the expressed permission of LU-VE Group. Nor may it be used in any other way or for any other purpose than expressly permitted by LU-VE Group. LU-VE Group will enforce its rights related to this document to the fullest extent of the law, including the seeking of criminal prosecution.

03	Mirror un.	28/01/2020	DPAA	date	28/01/2020
02	New brand	18/12/2019	DPAA	User	ITALDPAA
01	Added wiring for Left impeller	05/11/2018	PCIA	Proved	PCIA
Status	change	date	name		

ELECTRICAL WIRING
CONNECTION BOX

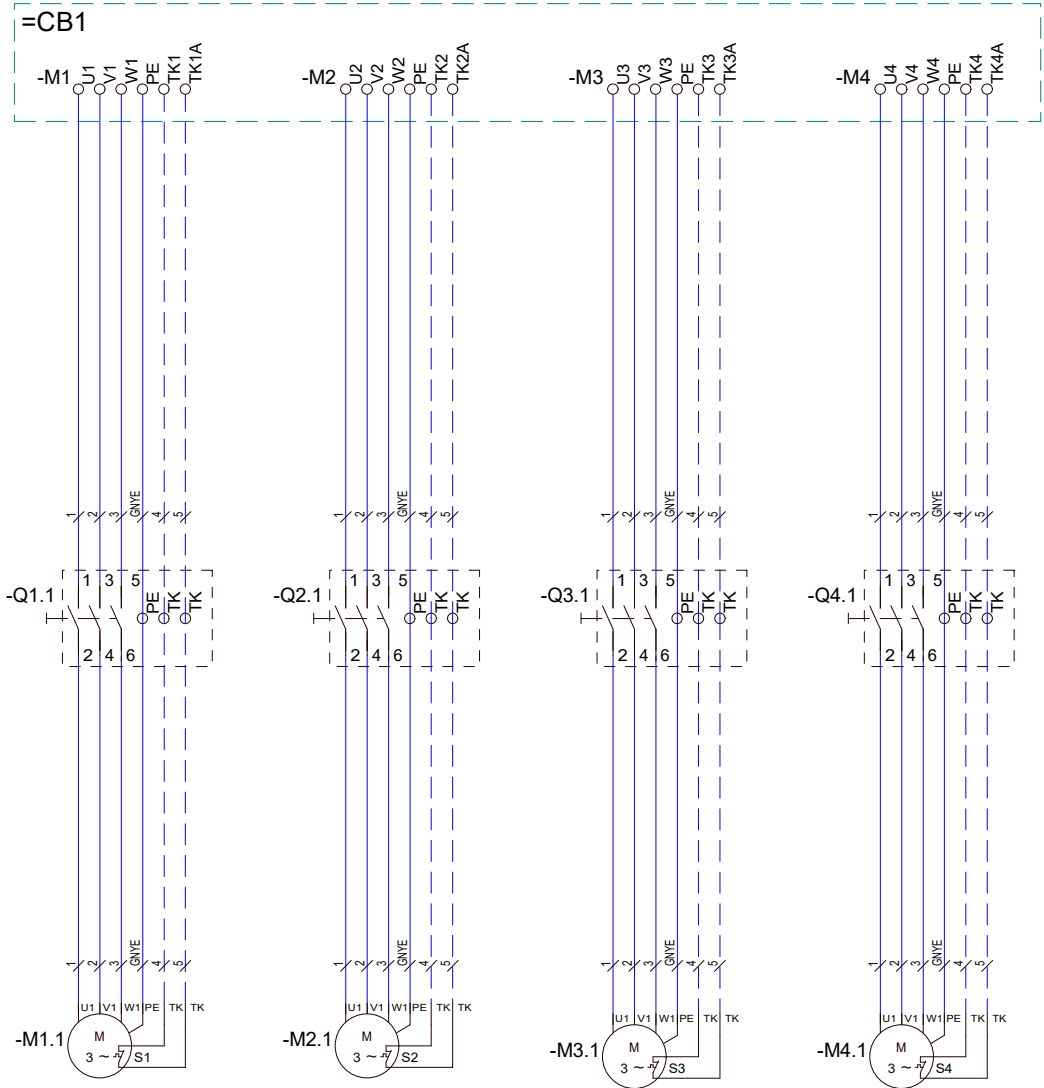
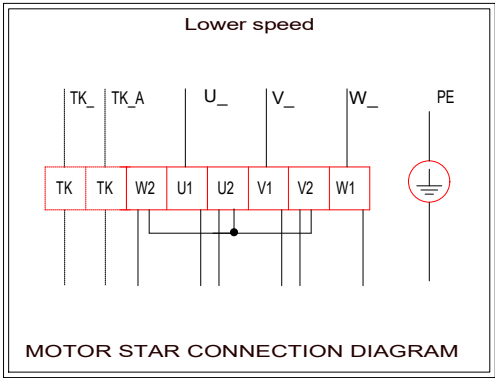
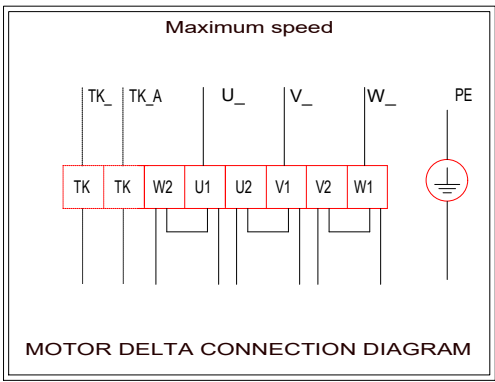


SWITCH LAYOUT

Document number: 9460174140-03

Sheet 4
Sh. 6

This document and its contents are owned by LU-VE Group or its affiliates and protected by laws governing intellectual property and thereto related rights. Without limiting any rights related to this document, no part of this document may be copied, reproduced or transmitted in any form or by any means (electronic, mechanical, photocopying, recording, or otherwise), or for any purpose, without the expressed permission of LU-VE Group. Nor may it be used in any other way or for any other purpose than expressly permitted by LU-VE Group. LU-VE Group will enforce its rights related to this document to the fullest extent of the law, including the seeking of criminal prosecution.



NOTE: if present, the temperature monitor device must be integrated in control circuit to open power supply circuit if a fault occur and to avoid power on after motor has cooled down

MOTORS SWITCHES (Q1.1, Q2.1, Q3.1, Q4.1) ARE OPTIONAL

O3	Mirror un.	28/01/2020	DPAA	date	28/01/2020
O2	New brand	18/12/2019	DPAA	User	ITALDPAA
O1	Added wiring for Left impeller	05/11/2018	PCIA	Proved	PCIA
Status	change	date	name		

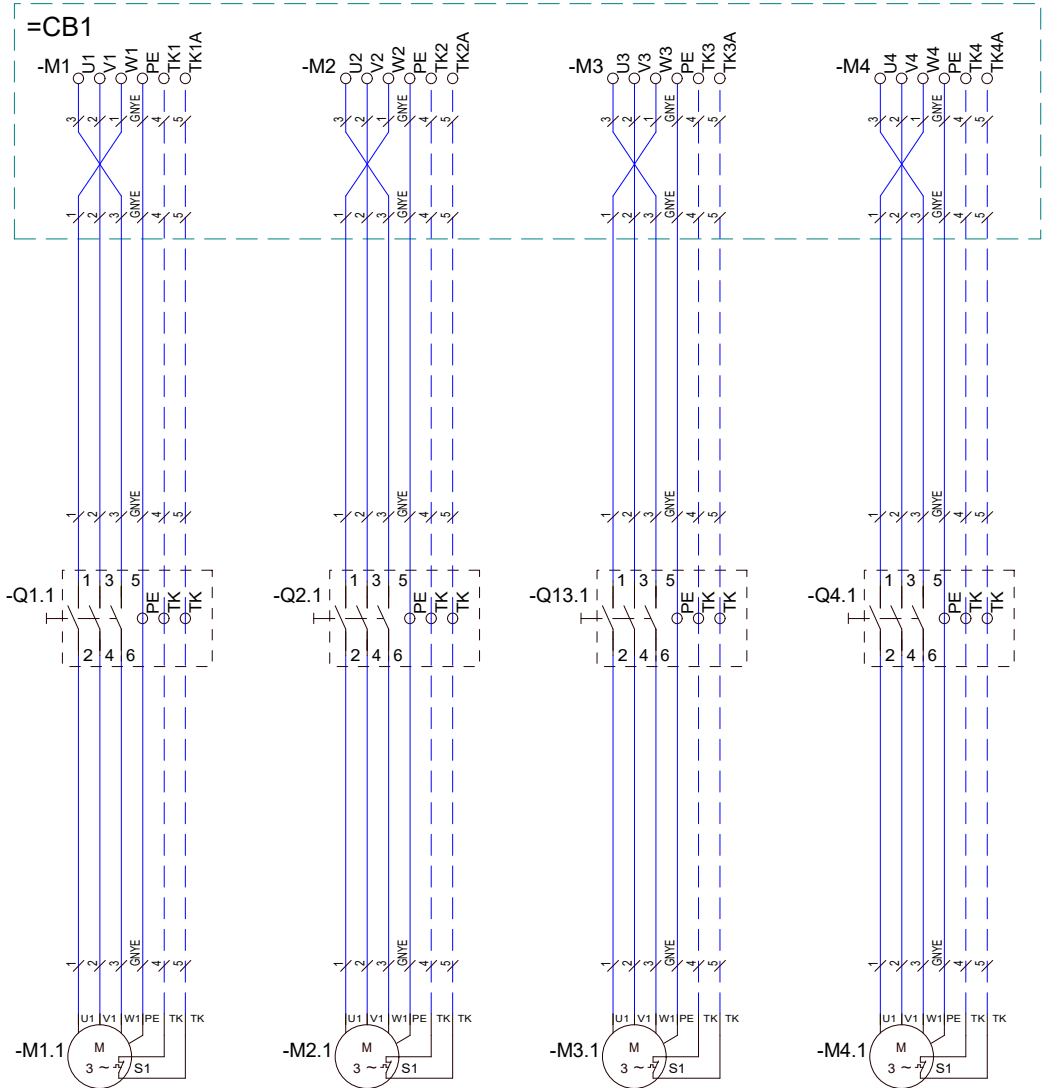
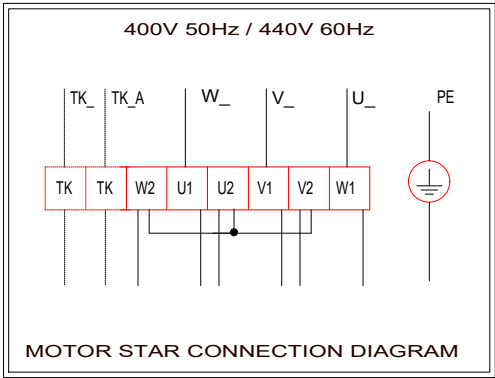
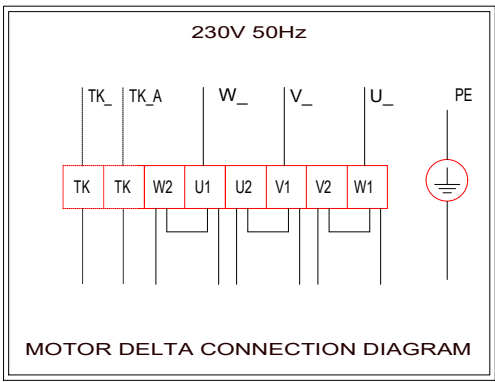
ELECTRICAL WIRING CONNECTION BOX



Wiring diagram
EBM-Papast and Ziehl Abegg Motors

Document number:	9460174140-03	Sheet	5
		Sh.	6

This document and its contents is owned by LU-VE Group or its affiliates and protected by laws governing intellectual property and thereto related rights. Without limiting any rights related to this document, no part of this document may be copied, reproduced or transmitted in any form or by any means (electronic, mechanical, photocopying, recording, or otherwise), or for any purpose, without the expressed permission of LU-VE Group. Nor may it be used in any other way or for any other purpose than expressly permitted by LU-VE Group. LU-VE Group will enforce its rights related to this document to the fullest extent of the law, including the seeking of criminal prosecution.



NOTE: if present, the temperature monitor device must be integrated in control circuit to open power supply circuit if a fault occur and to avoid power on after motor has cooled down **MOTORS SWITCHES (Q1.1, Q2.1, Q3.1, Q4.1) ARE OPTIONAL**

O3	Mirror un.	28/01/2020	DPAA	date	28/01/2020
O2	New brand	18/12/2019	DPAA	User	ITALDPAA
O1	Added wiring for Left impeller	05/11/2018	PCIA	Proved	PCIA
Status	change	date	name		

ELECTRICAL WIRING CONNECTION BOX



Wiring diagram IEC Motors-rotation counterclockwise

Document number: 9460174140-03

Sheet 6 Sh. 6