

# BST control panel (double row) - V-type

drawing number: SMXC286



alfa.luvegroup.com

## BOARD RATED VALUE

VOLTAGE DC	---
VOLTAGE AC	400 Vac $\pm$ 10%
FREQUENCY	50 - 60 Hz
POWER MAX	0.5-60 KW
SHORT CIRCUIT CURRENT (Icc)	10 KA
IP DEGREE WITH CLOSED DOORS	IP54
IP DEGREE WITH OPENED DOORS	IP20

This document and its contents is owned by LU-VE Group or its affiliates and protected by laws governing intellectual property and thereto related rights. Without limiting any rights related to this document, no part of this document may be copied, reproduced or transmitted in any form or by any means (electronic, mechanical, photocopying, recording, or otherwise), or for any purpose, without the expressed permission of LU-VE Group. Nor may it be used in any other way or for any other purpose than expressly permitted by LU-VE Group. LU-VE Group will enforce its rights related to this document to the fullest extent of the law, including the seeking of criminal prosecution.

02	New brand	18/12/2019	PCIA	User	ITALPCIA
01	Changed labels and added layout	07/07/2017	PCIA	Proved	
Status	change	date	name		



HEADING PAGE

Document number: SMXC286-02 Sheet 1  
Sh. 21

This document and its contents is owned by LU-VE Group or its affiliates and protected by laws governing intellectual property and thereto related rights. Without limiting any rights related to this document, no part of this document may be copied, reproduced or transmitted in any form or by any means (electronic, mechanical, photocopying, recording, or otherwise), or for any purpose, without the expressed permission of LU-VE Group. Nor may it be used in any other way or for any other purpose than expressly permitted by LU-VE Group. LU-VE Group will enforce its rights related to this document to the fullest extent of the law, including the seeking of criminal prosecution.

# INDEX

Sheet	Description
1	HEADING PAGE
2	INDEX AND REVISION
3	GRAPHICAL SYMBOL LIST
4	ELECTRICAL LAYOUT
5	SWITCH LAYOUT
6	CONTROL PANEL
7	CONTROL PANEL
8	CONTROL PANEL POWER SUPPLY
9	FAN CONNECTION
10	FAN CONNECTION
11	FAN CONNECTION
12	CONTROL PANEL AUXILIARY
13	UNIT AUXILIARY
14	CONTROL PANEL AUXILIARY
15	CONTROL PANEL AUXILIARY
16	CONTROL PANEL AUXILIARY
17	STEP CONTROL
18	UNIT AUXILIARY
19	FREE CONTACTS
20	MOTOR PROTECTION SIZE
21	CONNECTION LINK

# REVISION

N°	Date	Description
0	09/10/2014	Emission
1	07/07/2017	Changed labels and added layout
2	18/12/2019	New brand

Status	change	date	name	date	name
02	New brand	18/12/2019	PCIA	18/12/2019	User
01	Changed labels and added layout	07/07/2017	PCIA		Proved



## INDEX AND REVISION

Document number: SMXC286-02 Sheet 2  
Sh. 21

This document and its contents is owned by LU-VE Group or its affiliates and protected by laws governing intellectual property and the related rights. Without limiting any rights related to this document, no part of this document may be copied, reproduced or transmitted in any form or by any means (electronic, mechanical, photocopying, recording, or otherwise), or for any purpose, without the expressed permission of LU-VE Group. Nor may it be used in any other way or for any other purpose than expressly permitted by LU-VE Group. LU-VE Group will enforce its rights related to this document to the fullest extent of the law, including the seeking of criminal prosecution.

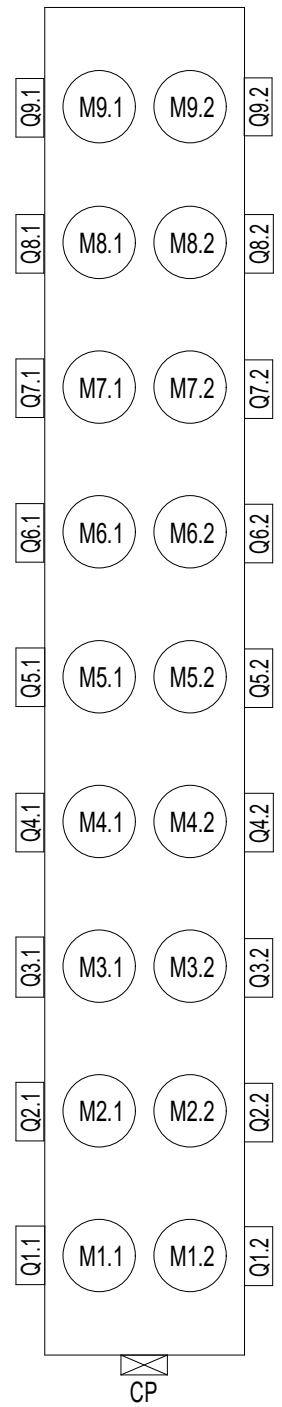
02-02-01 CORRENTE CONTINUA 02-02-03 DIRECT CURRENT		02-13-25 COMANDO DI PROTEZIONE TERMICA THERMAL PROTECTION CONTROL		03-03-05 CONNETTORE COMPLETO PLUG AND SOCKET		05-06-02 DISPOSITIVO FOTOCONDUTTIVO DEL FOTODIODO CON CONDUCEBILITÀ ASIMMETRICA PHOTODIODE PHOTO-CONDUCTIVE DEVICE WITH ASYMMETRICAL CONDUCTIVITY	
02-12-04 CORRENTE ALTERNATA ALTERNATE CURRENT		02-13-26 COMANDO MOTORE ELETTRICO ELECTRIC MOTOR CONTROL		03-03-17 PIASTRINA DI CONNESSIONE CHIUSA CONNECTING LINK, CLOSED		06-09-02 TRASFORMATORE DI TENSIONE VOLTAGE TRANSFORMER	
02-08-01 TERMICA THERMAL EFFECT		02-13-27 COMANDO TIMER ELECTRIC CLOCK CONTROL		03-03-19 PIASTRINA DI CONNESSIONE APERTA CONNECTING LINK, OPEN		06-09-11 TRASFORMATORE DI CORRENTE CURRENT TRANSFORMER	
02-08-02 MAGNETICA ELECTROMAGNETIC EFFECT		02-15-01 TERRA EARTHING		04-01-01 RESISTENZA RESISTOR		06-10-01 06-10-02 TRASFORMATORE DI MONOFASE CON DUE BOBINE E SCHERMI SINGLE PHASE TRANSFORMER WITH TWO WINDINGS AND SCREEN	
02-12-01 CONNESSIONE MECCANICA PNEUMATICA O IDRAULICA MECHANICAL, PNEUMATIC OR HYDRAULIC CONNECTION		02-17-06 CONVERTITORE CONVERTER		04-01-01 RESISTENZA VARIABILE (POTENZIOMETRO) VARIABLE RESISTOR		06-10-03 06-10-04 TRASFORMATORE CON IL CENTRO DELLE BOBINE IN COMUNE TRANSFORMER WITH CENTER TAPPING ON ONE WINDINGS	
02-12-05 MOVIMENTO IN RITARDO (NEL SENSO DEL MOVIMENTO DELL'ARCO AL RELATIVO CENTRO) DELAYED MOVEMENT (IN SENSE OF ARC MOVEMENT TO ITS CENTER)		03-01-01 CONDUTTORE CONDUCTOR		04-01-12 SCALDIGLIA HEATER		06-15-01 BATTERIA BATTERY OF PRIMARY OR SECONDARY CELLS	
02-12-11 INTERBLOCCO MECCANICO TRA DUE DISPOSITIVI MECHANICAL INTERLOCK BETWEEN TWO DEVICES		03-01-02 CONDUTTORE TRIFASE THREE CONDUCTORS		04-02-01 CONDENSATORE CAPACITOR		07-02-01 CONTATTO NORMALMENTE APERTO OPEN CONTACT	
02-13-04 COMANDO SELETTORE ROTATIVE CONTROL		03-02-01 NODO DI CONNESSIONE WIRES CONNECTION		04-02-03 DIVISORE CONDENSATORE CAPACITIVE DIVISOR		07-02-03 CONTATTO NORMALMENTE CHIUSO CLOSED CONTACT	
02-13-05 COMANDO PULSANTE PUSH-BUTTON CONTROL		03-02-02 MORSETTO TERMINALS		04-03-01 INDUTTORE COIL WINDING INDUCTOR COIL WINDING		07-02-04 CONTATTO IN SCAMBIO CHANGEOVER CONTACT	
02-13-08 COMANDO PULSANTE A FUNGO DI ARRESTO-EMERGENZA SAFETY OR EMERGENCY CONTROL WITH MUSHROOM PUSH-BUTTON		03-02-05 CONNESSIONE A "T" T-CONNECTION		05-03-01 DIODO DIODE		07-05-02 IN RITARDO QUANDO IL DISPOSITIVO CHE CONTIENE IL CONTATTO STA ATTIVANDO (CONTATTI RITARDATI) MAKE CONTACT, DELAYED WHEN THE DEVICE CONTAINING THE CONTACT IS BEING ACTIVATED	
02-13-10 COMANDO A PEDALE PEDAL CONTROL		03-03-01 CONTATTO FEMMINA (PER CONNETTORE) FEMALE CONTACT (OF A SOCKET OR PLUG)		05-03-02 DIODO LED LIGHT EMITTING DIODE		07-05-04 CONTATTO DI ROTTURA, IN RITARDO QUANDO IL DISPOSITIVO CHE CONTIENE IL CONTATTO STA DISATTIVANDO BREAK CONTACT, DELAYED WHEN THE DEVICE CONTAINING THE CONTACT IS BEING DE-ACTIVATED	
02-13-13 COMANDO A CHIAVE KEY CONTROL		03-03-03 CONTATTO MASCHIO (PER CONNETTORE) MALE CONTACT (OF A SOCKET OR PLUG)		05-06-01 DISPOSITIVO FOTOCONDUTTIVO DEL RESISTORE DIPENDENTE DALLA LUCE CON CONDUCEBILITÀ SIMMETRICA LIGHT DEPENDENT RESISTOR PHOTO-CONDUCTIVE DEVICE WITH SYMMETRICAL CONDUCTIVITY		07-07-01 INTERRUTTORE MANUALE MANUALLY OPERATED SWITCH	

02	New brand	18/12/2019	PCIA	User	ITALPCIA
01	Changed labels and added layout	07/07/2017	PCIA	Proved	
Status	change	date	name		



GRAPHICAL SYMBOL LIST

This document and its contents is owned by LU-VE Group or its affiliates and protected by laws governing intellectual property and thereto related rights. Without limiting any rights related to this document, no part of this document may be copied, reproduced or transmitted in any form or by any means (electronic, mechanical, photocopying, recording, or otherwise), or for any purpose, without the expressed permission of LU-VE Group. Nor may it be used in any other way or for any other purpose than expressly permitted by LU-VE Group. LU-VE Group will enforce its rights related to this document to the fullest extent of the law, including the seeking of criminal prosecution.

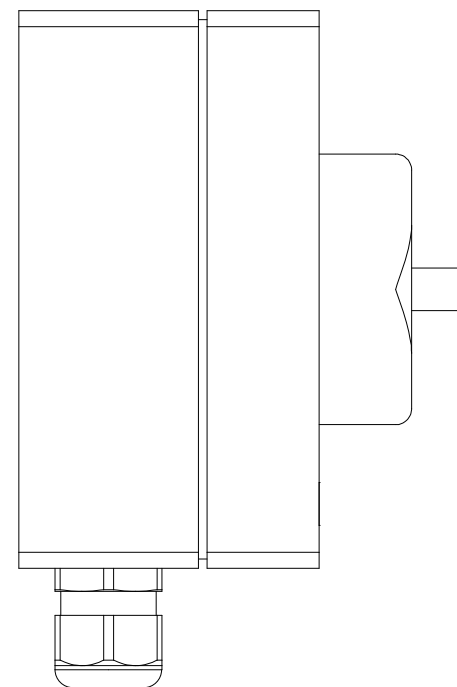
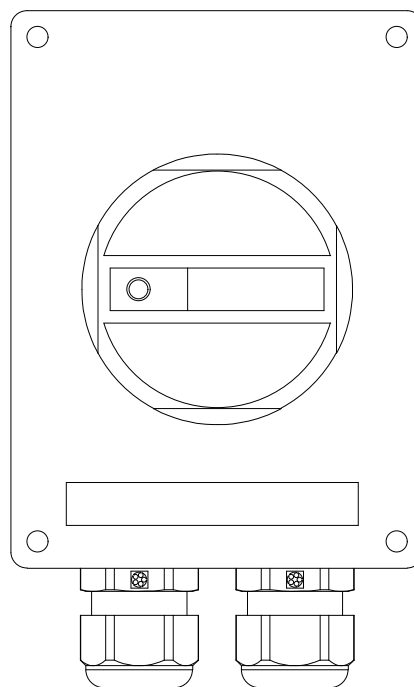
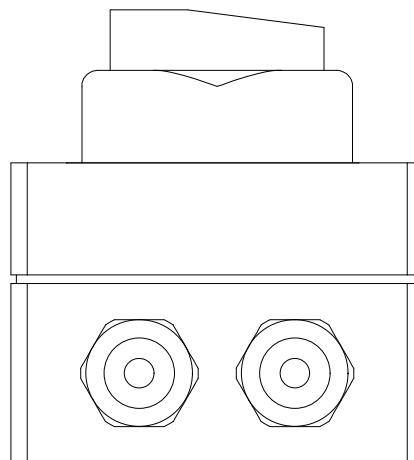


02	New brand	18/12/2019	PCIA	User	18/12/2019	ITALPCIA
01	Changed labels and added layout	07/07/2017	PCIA	Proved		
Status	change	date	name			



ELECTRICAL LAYOUT

Q1.1 - Q9.1  
Q1.2 - Q9.2



**Technical data**

Material: Polycarbonate  
 IP protection class: IP66  
 Color: Grey/black  
 Rated insulation voltage: 690V  
 Rated operational current: 16A  
 Ambient temperature: -40/+80°C

This document and its contents is owned by LU-VE Group or its affiliates and protected by laws governing intellectual property and thereto related rights. Without limiting any rights related to this document, no part of this document may be copied, reproduced or transmitted in any form or by any means (electronic, mechanical, photocopying, recording, or otherwise), or for any purpose, without the expressed permission of LU-VE Group. Nor may it be used in any other way or for any other purpose than expressly permitted by LU-VE Group. LU-VE Group will enforce its rights related to this document to the fullest extent of the law, including the seeking of criminal prosecution.

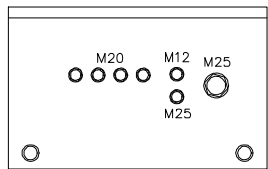
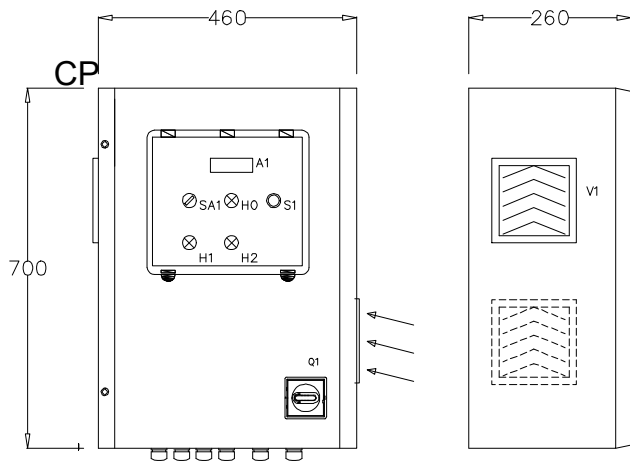
02	New brand	18/12/2019	PCIA	User	18/12/2019	ITALPCIA
01	Changed labels and added layout	07/07/2017	PCIA	Proved		
Status	change	date	name			



SWITCH LAYOUT

Document number: SMXC286-02

Sheet 5  
Sh. 21

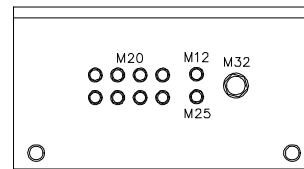
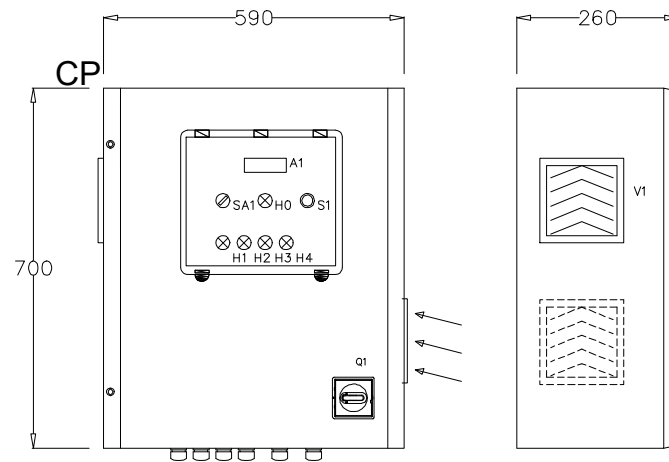


Plastic Box Dimension (HxBxP): 700x460x260

Color: RAL9002  
 External IP degree: IP54  
 Internal IP degree: IP20  
 Temperature range: -15°+ +35°c (standard)  
 -25°+ +45°c (version "F")  
 Umidity range: <95% (non condensation)

LEGEND LIST:

- Q1 = Main switch
- V1 = Ventilator
- H0 = Power on light
- H1 = Fan motor 1 running
- H2 = Fan motor 2 running
- A1 = Step controller
- S1 = reset PB
- SA1 = MAN/AUT selector



Plastic Box Dimension (HxBxP): 700x590x260

Color: RAL9002  
 External IP degree: IP54  
 Internal IP degree: IP20  
 Temperature range: -15°+ +35°c (standard)  
 -25°+ +45°c (version "F")  
 Umidity range: <95% (non condensation)

LEGEND LIST:

- Q1 = Main switch
- V1 = Ventilator
- H0 = Power on light
- H1 = Fan motor 1 running
- H2 = Fan motor 2 running
- H3 = Fan motor 3 running
- H4 = Fan motor 4 running
- A1 = Step controller
- S1 = reset PB
- SA1 = MAN/AUT selector

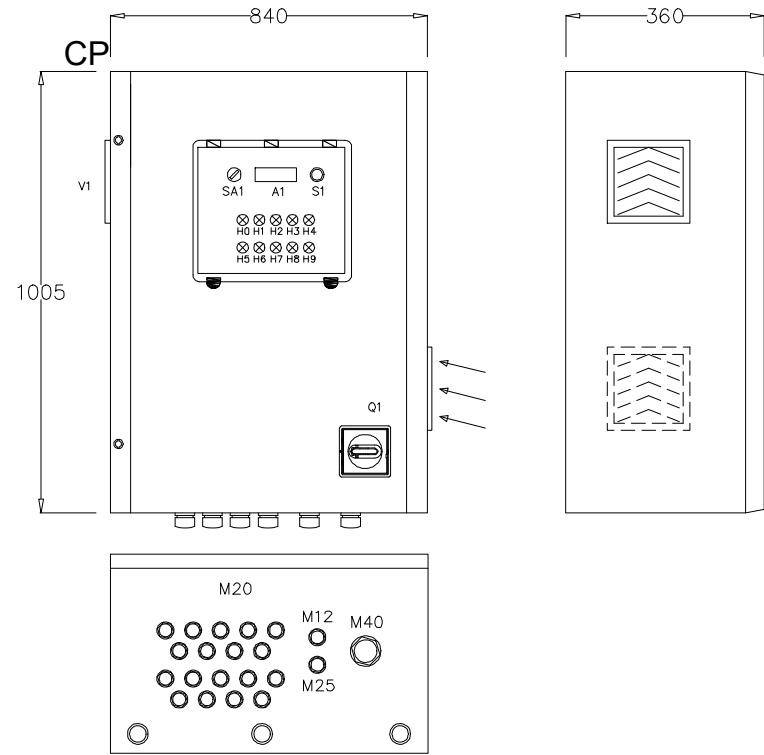
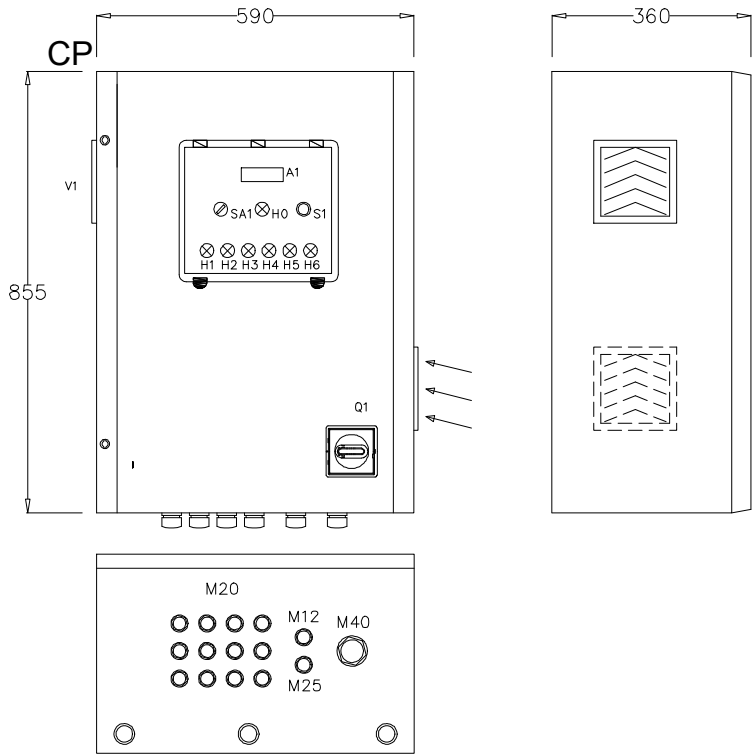
This document and its contents are owned by LU-VE Group or its affiliates and protected by laws governing intellectual property and thereto related rights. Without limiting any rights related to this document, no part of this document may be copied, reproduced or transmitted in any form or by any means (electronic, mechanical, photocopying, recording, or otherwise), or for any purpose, without the expressed permission of LU-VE Group. Nor may it be used in any other way or for any other purpose than expressly permitted by LU-VE Group. LU-VE Group will enforce its rights related to this document to the fullest extent of the law, including the seeking of criminal prosecution.

02	New brand	18/12/2019	PCIA	User	ITALPCIA
01	Changed labels and added layout	07/07/2017	PCIA	Provid	
Status	change	date	name		



CONTROL PANEL

This document and its contents is owned by LU-VE Group or its affiliates and protected by laws governing intellectual property and thereto related rights. Without limiting any rights related to this document, no part of this document may be copied, reproduced or transmitted in any form or by any means (electronic, mechanical, photocopying, recording, or otherwise), or for any purpose, without the expressed permission of LU-VE Group. Nor may it be used in any other way or for any other purpose than expressly permitted by LU-VE Group. LU-VE Group will enforce its rights related to this document to the fullest extent of the law, including the seeking of criminal prosecution.



**Plastic Box**  
 Dimension (HxBxP): 700x590x260  
  
 Color: RAL9002  
 External IP degree: IP54  
 Internal IP degree: IP20  
 Temperature range: -15°+ +35°c (standard)  
 -25°+ +45°c (version "F")  
 Umidity range: <95% (non condensation)

**Plastic Box**  
 Dimension (HxBxP): 700x590x260  
  
 Color: RAL9002  
 External IP degree: IP54  
 Internal IP degree: IP20  
 Temperature range: -15°+ +35°c (standard)  
 -25°+ +45°c (version "F")  
 Umidity range: <95% (non condensation)

**LEGEND LIST:**  
 Q1 = Main switch  
 V1 = Ventilator  
 H0 = Power on light  
 H1 = Fan motor 1 running  
 H2 = Fan motor 2 running  
 H3 = Fan motor 3 running  
 H4 = Fan motor 4 running  
 H5 = Fan motor 5 running  
 H6 = Fan motor 6 running  
 A1 = Step controller  
 S1 = reset PB  
 SA1 = MAN/AUT selector

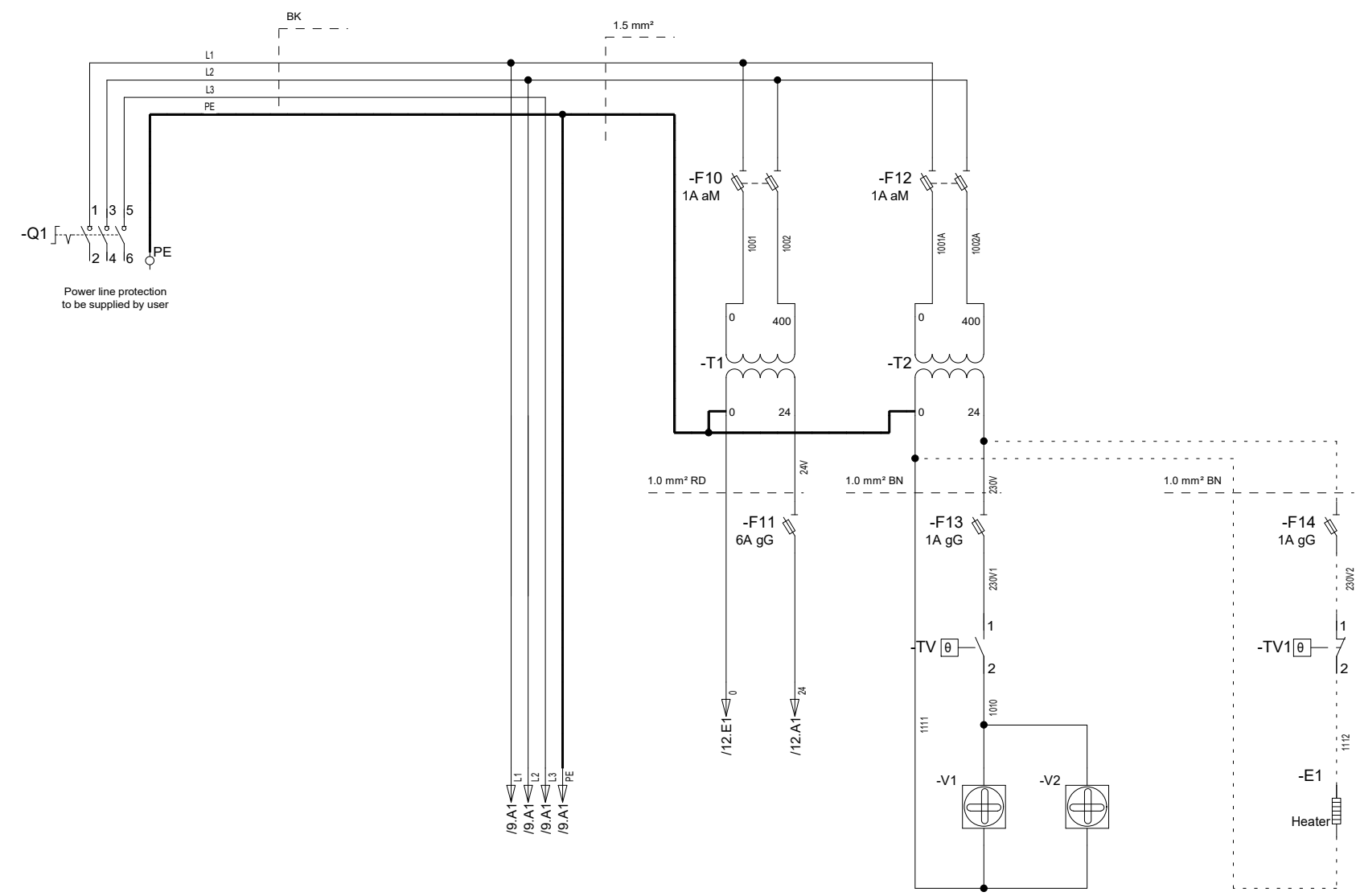
**LEGEND LIST:**  
 Q1 = Main switch  
 V1 = Ventilator  
 H0 = Power on light  
 H1 = Fan motor 1 running  
 H2 = Fan motor 2 running  
 H3 = Fan motor 3 running  
 H4 = Fan motor 4 running  
 H5 = Fan motor 5 running  
 H6 = Fan motor 6 running  
 H7 = Fan motor 7 running  
 H8 = Fan motor 8 running  
 H9 = Fan motor 9 running  
 A1 = Step controller  
 S1 = reset PB  
 SA1 = MAN/AUT selector

02	New brand	18/12/2019	PCIA	User	ITALPCIA
01	Changed labels and added layout	07/07/2017	PCIA	Proved	
Status	change	date	name		



**CONTROL PANEL**

This document and its contents are owned by LU-VE Group or its affiliates and protected by laws governing intellectual property and thereto related rights. Without limiting any rights related to this document, no part of this document may be copied, reproduced or transmitted in any form or by any means (electronic, mechanical, photocopying, recording, or otherwise), or for any purpose, without the expressed permission of LU-VE Group. Nor may it be used in any other way or for any other purpose than expressly permitted by LU-VE Group. LU-VE Group will enforce its rights related to this document to the fullest extent of the law, including the seeking of criminal prosecution.



Version ALFA_V						
n° Fans' feeding line	Box	T1	f11	Q1	K1:K8	PE
1 ÷ 2 (max 9A for line)	tg.3	100VA	4Agg	40A	9A	6mmq
1 ÷ 2 (range 9:16A for line)	tg.3	100VA	4Agg	40A	16A	6mmq
3 ÷ 4 (max 9A for line)	tg.4	100VA	4Agg	63A	9A	10mmq
3 ÷ 4 (range 9:16A for line)	tg.4	100VA	4Agg	63A	16A	10mmq
5 ÷ 6 (max 9A for line)	tg.5	160VA	6Agg	125A	9A	35mmq
5 ÷ 6 (range 9:16A for line)	tg.5	160VA	6Agg	125A	16A	35mmq
7 ÷ 8 (max 9A for line)	tg.6	160VA	6Agg	125A	9A	35mmq
7 ÷ 8 (range 9:16A for line)	tg.6	160VA	6Agg	125A	16A	35mmq
9 (max 9A for line)	tg.6	160VA	6Agg	160A	9A	35mmq
9 (range 9:16A for line)	tg.6	160VA	6Agg	160A	16A	35mmq

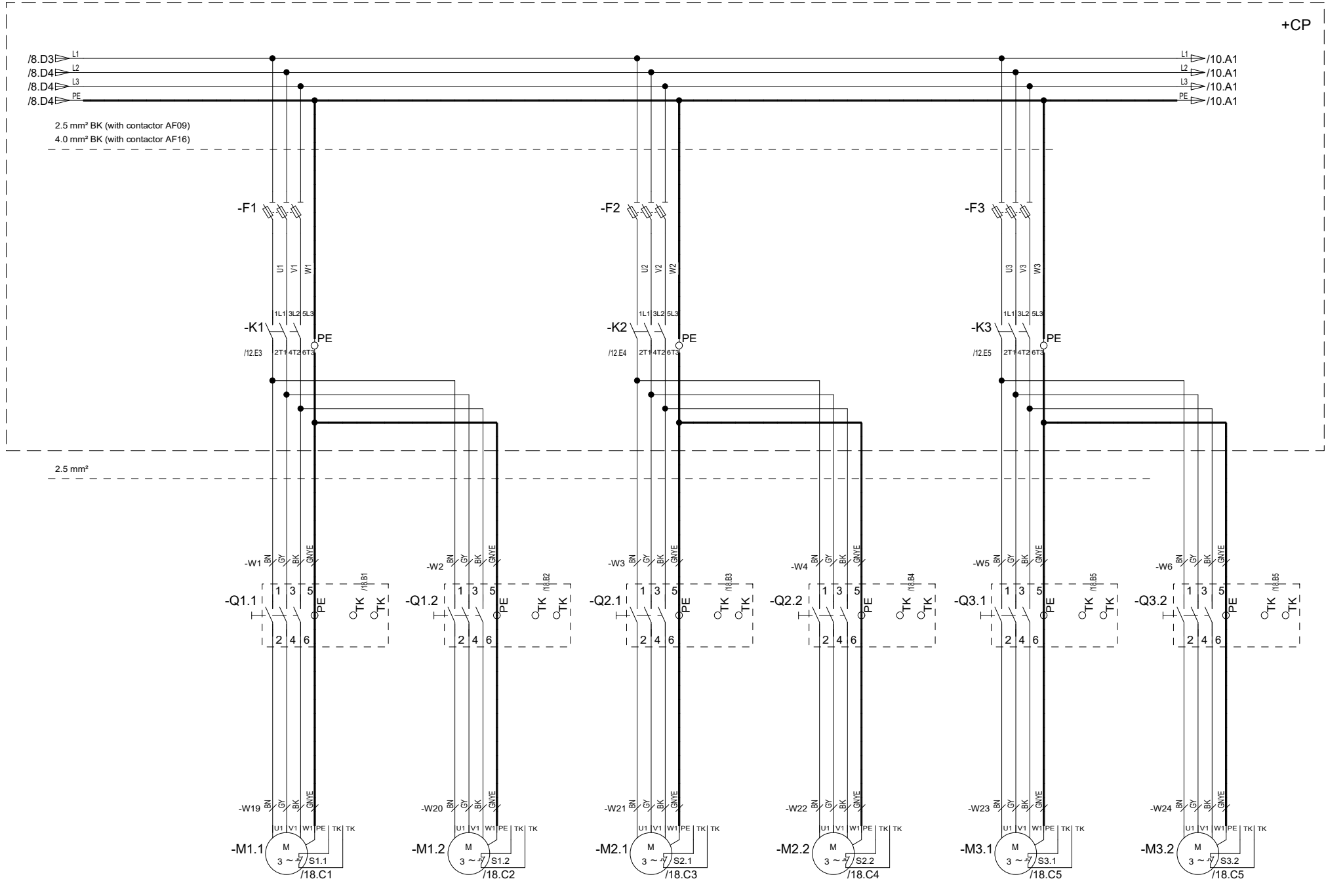
date	18/12/2019
02 New brand	18/12/2019 PCIA User ITALPCIA
01 Changed labels and added layout	07/07/2017 PCIA Proved
Status change	date name



CONTROL PANEL POWER SUPPLY



This document and its contents are owned by LU-VE Group or its affiliates and protected by laws governing intellectual property and thereto related rights. Without limiting any rights related to this document, no part of this document may be copied, reproduced or transmitted in any form or by any means (electronic, mechanical, photocopying, recording, or otherwise), or for any purpose, without the expressed permission of LU-VE Group. Nor may it be used in any other way or for any other purpose than expressly permitted by LU-VE Group. LU-VE Group will enforce its rights related to this document to the fullest extent of the law, including the seeking of criminal prosecution.



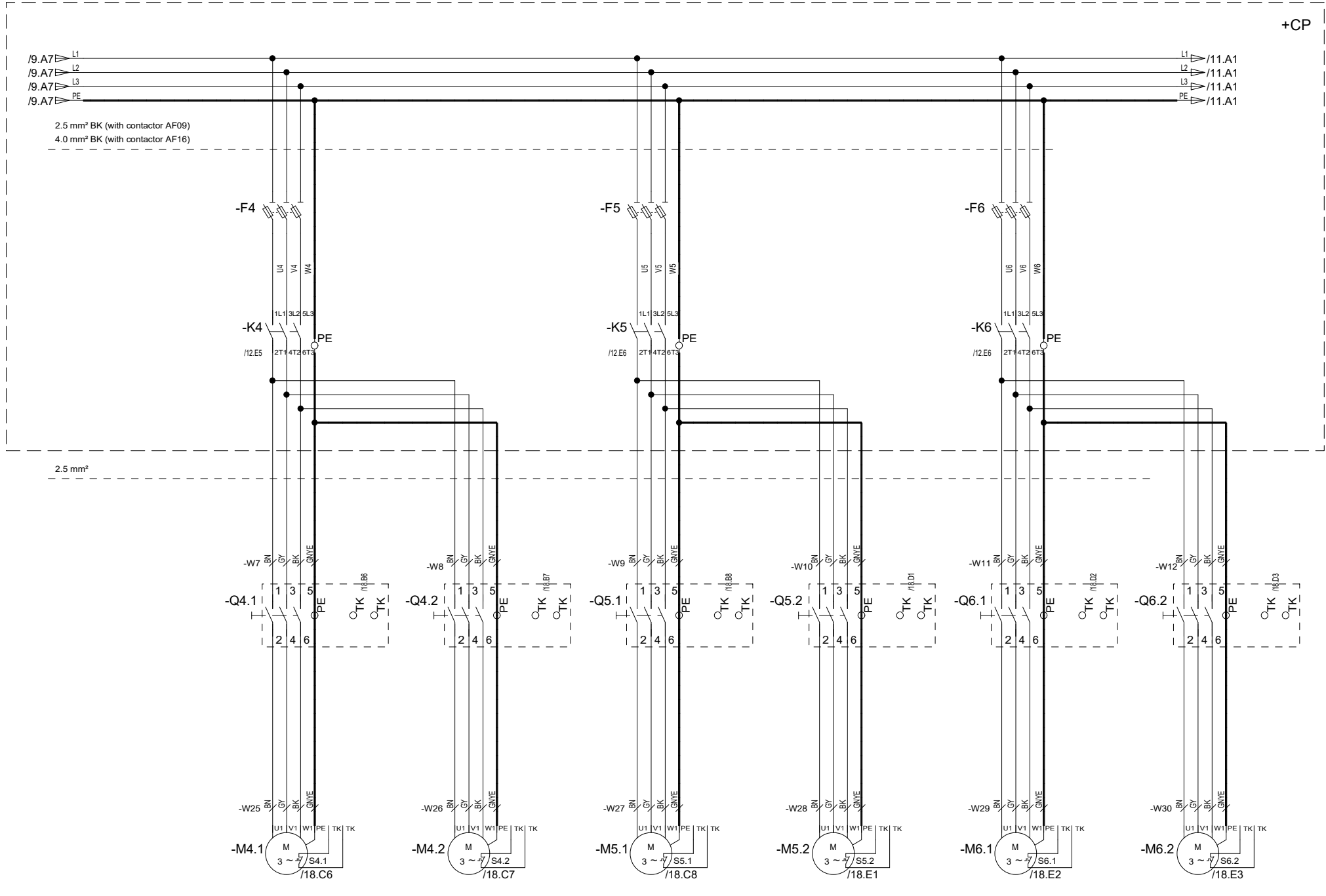
**NOTE: switch for maintenance before motors are optional (Q1.1, Q2.1 ...)**

Q2	New brand	18/12/2019	PCIA	User	ITALPCIA
Q1	Changed labels and added layout	07/07/2017	PCIA	Proved	
Status	change	date	name		



FAN CONNECTION

This document and its contents are owned by LU-VE Group or its affiliates and protected by laws governing intellectual property and thereto related rights. Without limiting any rights related to this document, no part of this document may be copied, reproduced or transmitted in any form or by any means (electronic, mechanical, photocopying, recording, or otherwise), or for any purpose, without the expressed permission of LU-VE Group. Nor may it be used in any other way or for any other purpose than expressly permitted by LU-VE Group. LU-VE Group will enforce its rights related to this document to the fullest extent of the law, including the seeking of criminal prosecution.



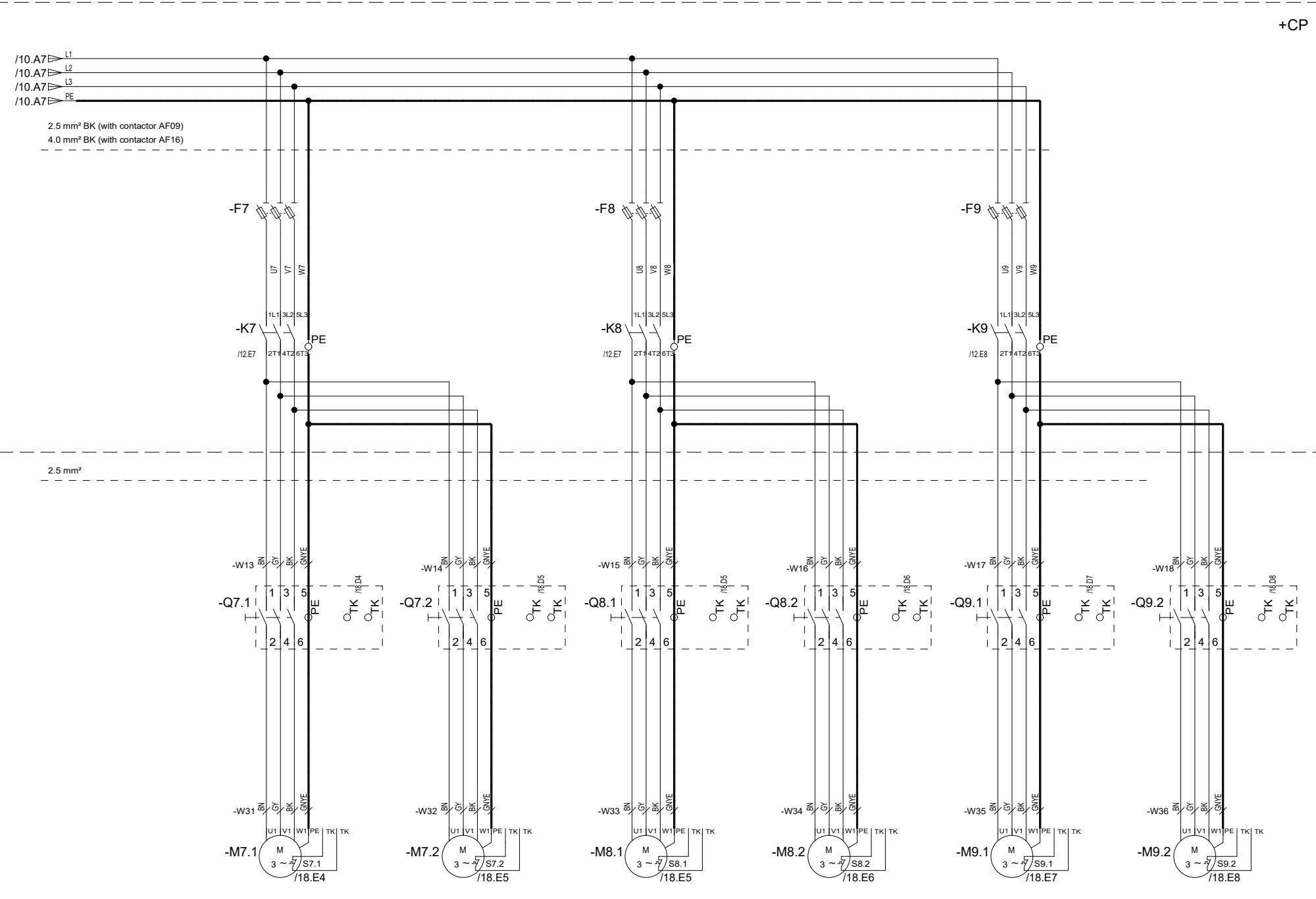
**NOTE: switch for maintenance before motors are optional (Q1.1, Q2.1 ...)**

02	New brand	18/12/2019	PCIA	User	ITALPCIA
01	Changed labels and added layout	07/07/2017	PCIA	Proved	
Status	change	date	name		



**FAN CONNECTION**

This document and its contents is owned by LU-VE Group or its affiliates and protected by laws governing intellectual property and thereto related rights. Without limiting any rights related to this document, no part of this document may be copied, reproduced or transmitted in any form or by any means (electronic, mechanical, photocopying, recording, or otherwise), or for any purpose, without the expressed permission of LU-VE Group. Nor may it be used in any other way or for any other purpose than expressly permitted by LU-VE Group. LU-VE Group will enforce its rights related to this document to the fullest extent of the law, including the seeking of criminal prosecution.



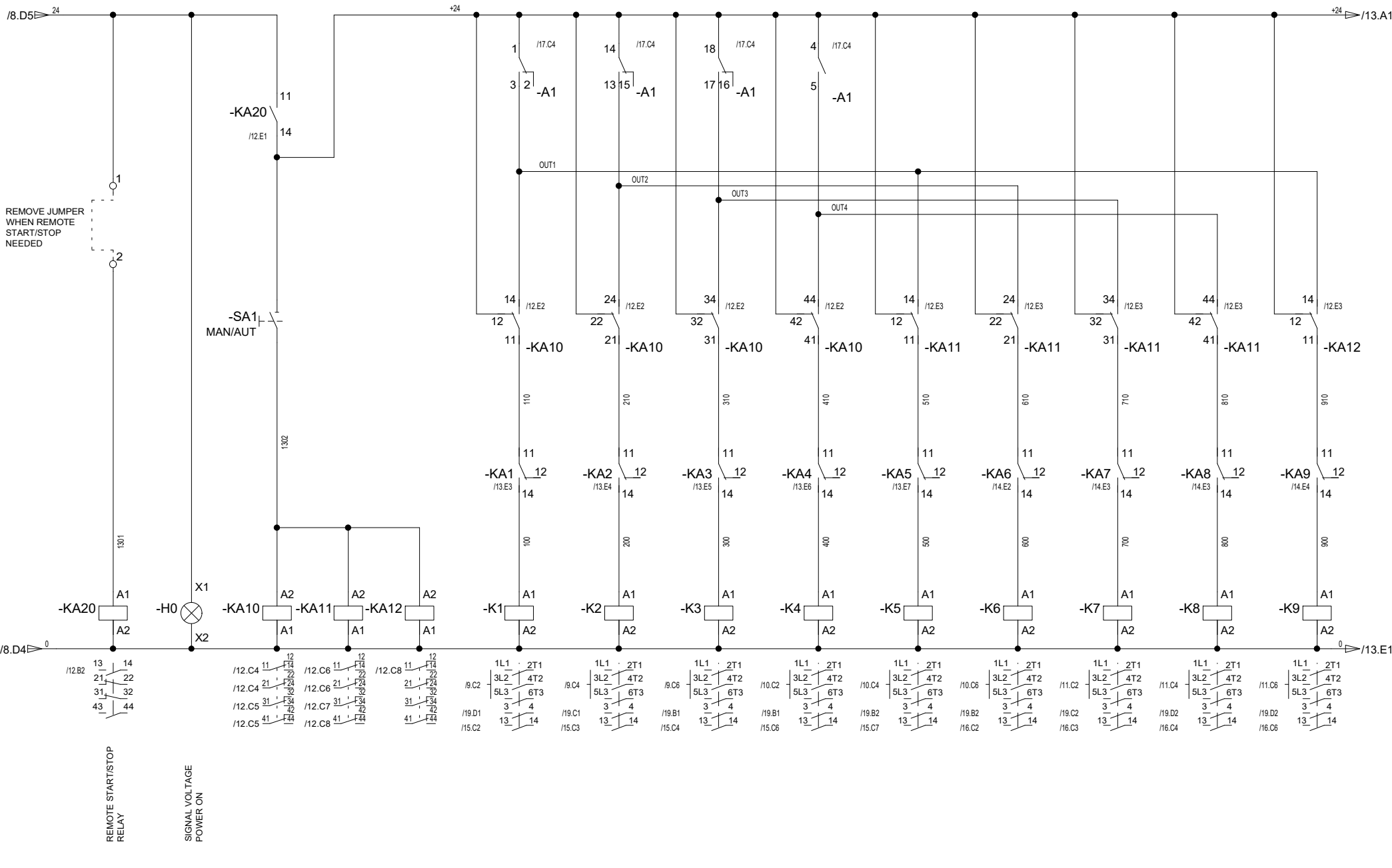
**NOTE: switch for maintenance before motors are optional (Q1.1, Q2.1 ...)**

Q2	New brand	18/12/2019	PCIA	User	ITALPCIA
Q1	Changed labels and added layout	07/07/2017	PCIA	Proved	
Status	change	date	name		



**FAN CONNECTION**

This document and its contents are owned by LU-VE Group or its affiliates and protected by laws governing intellectual property and thereto related rights. Without limiting any rights related to this document, no part of this document may be copied, reproduced or transmitted in any form or by any means (electronic, mechanical, photocopying, recording, or otherwise), or for any purpose, without the expressed permission of LU-VE Group. Nor may it be used in any other way or for any other purpose than expressly permitted by LU-VE Group. LU-VE Group will enforce its rights related to this document to the fullest extent of the law, including the seeking of criminal prosecution.

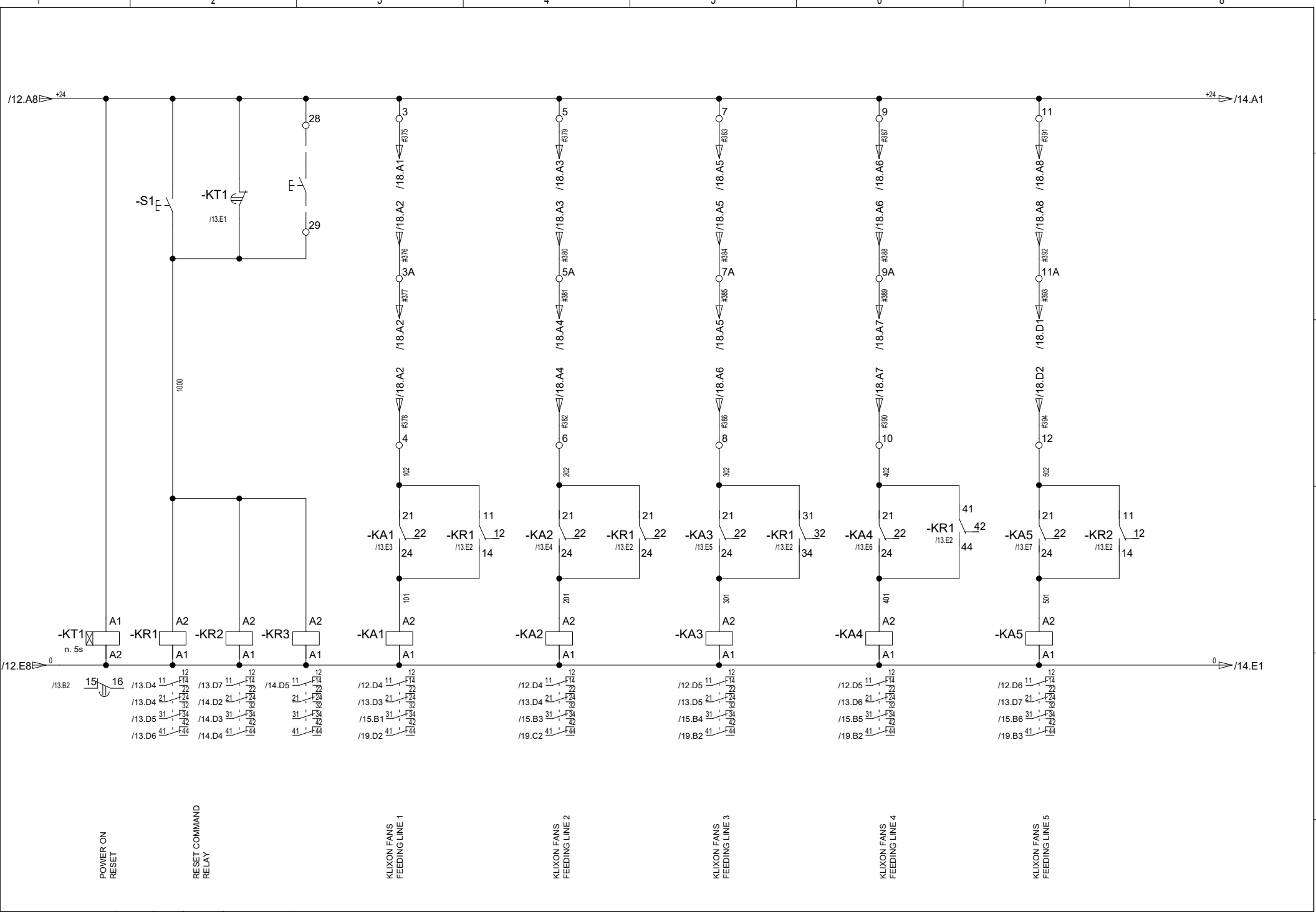


02	New brand	18/12/2019	PCIA	User	ITALPCIA
01	Changed labels and added layout	07/07/2017	PCIA	Proved	
Status	change	date	name		



CONTROL PANEL AUXILIARY

This document and its contents is owned by LU-VE Group or its affiliates and protected by laws governing intellectual property and thereto related rights. Without limiting any rights related to this document, no part of this document may be copied, reproduced or transmitted in any form or by any means (electronic, mechanical, photocopying, recording, or otherwise), or for any purpose, without the expressed permission of LU-VE Group. Nor may it be used in any other way or for any other purpose than expressly permitted by LU-VE Group. LU-VE Group will enforce its rights related to this document to the fullest extent of the law, including the seeking of criminal prosecution.

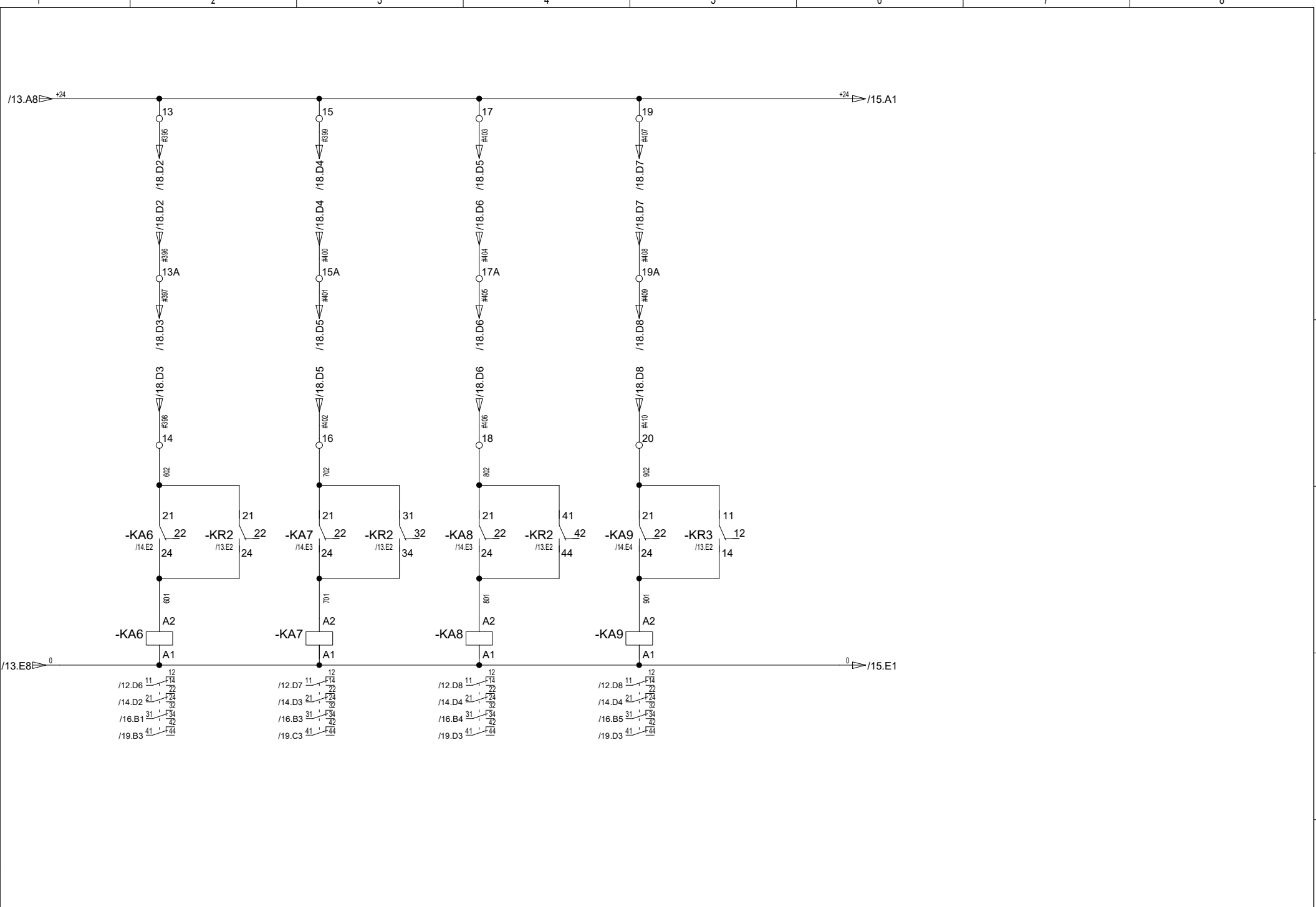


02	New brand	18/12/2019	PCIA	User	ITALPCIA
01	Changed labels and added layout	07/07/2017	PCIA	Proved	
Status	change	date	name		



CONTROL PANEL AUXILIARY

This document and its contents is owned by LU-VE Group or its affiliates and protected by laws governing intellectual property and thereto related rights. Without limiting any rights related to this document, no part of this document may be copied, reproduced or transmitted in any form or by any means (electronic, mechanical, photocopying, recording, or otherwise), or for any purpose, without the expressed permission of LU-VE Group. Nor may it be used in any other way or for any other purpose than expressly permitted by LU-VE Group. LU-VE Group will enforce its rights related to this document to the fullest extent of the law, including the seeking of criminal prosecution.



02	New brand	18/12/2019	PCIA	User	ITALPCIA
01	Changed labels and added layout	07/07/2017	PCIA	Proved	
Status	change	date	name		



CONTROL PANEL AUXILIARY

This document and its contents is owned by LU-VE Group or its affiliates and protected by laws governing intellectual property and thereto related rights. Without limiting any rights related to this document, no part of this document may be copied, reproduced or transmitted in any form or by any means (electronic, mechanical, photocopying, recording, or otherwise), or for any purpose, without the expressed permission of LU-VE Group. Nor may it be used in any other way or for any other purpose than expressly permitted by LU-VE Group. LU-VE Group will enforce its rights related to this document to the fullest extent of the law, including the seeking of criminal prosecution.

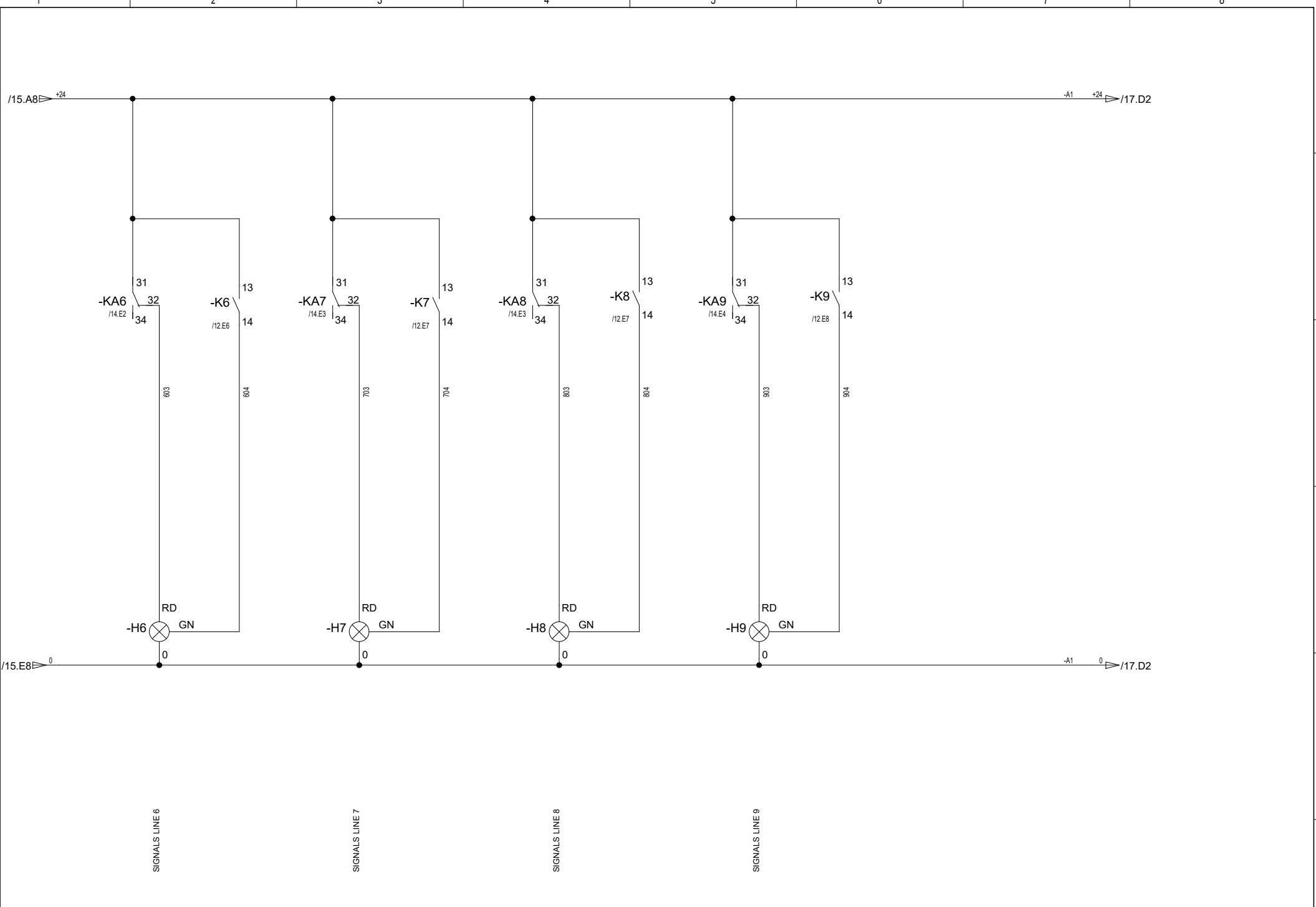


02	New brand	18/12/2019	PCIA	User	ITALPCIA
01	Changed labels and added layout	07/07/2017	PCIA	Proved	
Status	change	date	name		



CONTROL PANEL AUXILIARY

This document and its contents is owned by LU-VE Group or its affiliates and protected by laws governing intellectual property and thereto related rights. Without limiting any rights related to this document, no part of this document may be copied, reproduced or transmitted in any form or by any means (electronic, mechanical, photocopying, recording, or otherwise), or for any purpose, without the expressed permission of LU-VE Group. Nor may it be used in any other way or for any other purpose than expressly permitted by LU-VE Group. LU-VE Group will enforce its rights related to this document to the fullest extent of the law, including the seeking of criminal prosecution.



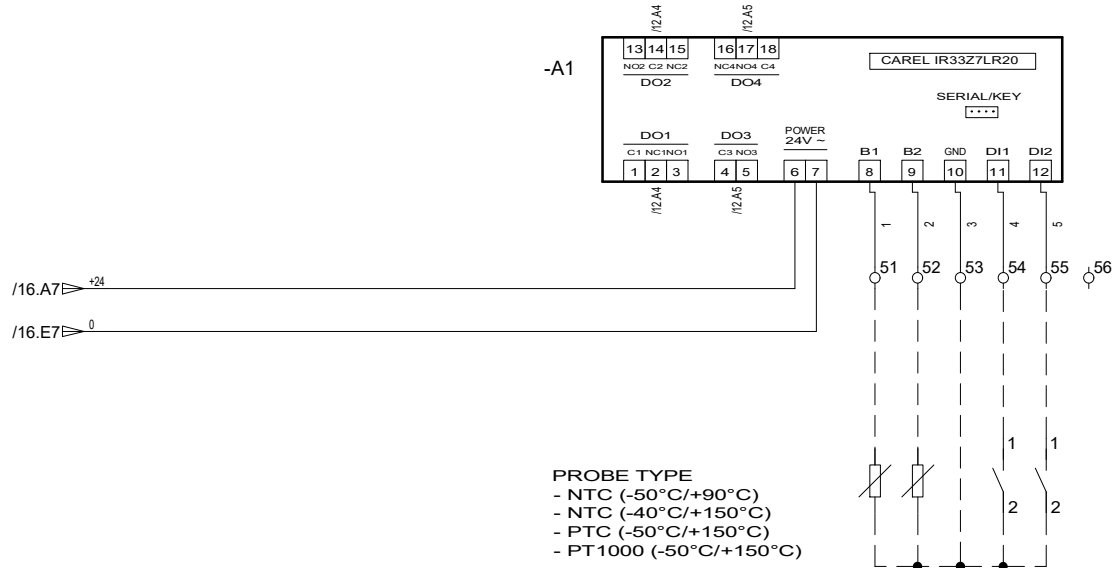
02	New brand	18/12/2019	PCIA	User	ITALPCIA
01	Changed labels and added layout	07/07/2017	PCIA	Proved	
Status	change	date	name		



CONTROL PANEL AUXILIARY



This document and its contents is owned by LU-VE Group or its affiliates and protected by laws governing intellectual property and thereto related rights. Without limiting any rights related to this document, no part of this document may be copied, reproduced or transmitted in any form or by any means (electronic, mechanical, photocopying, recording, or otherwise), or for any purpose, without the expressed permission of LU-VE Group. Nor may it be used in any other way or for any other purpose than expressly permitted by LU-VE Group. LU-VE Group will enforce its rights related to this document to the fullest extent of the law, including the seeking of criminal prosecution.



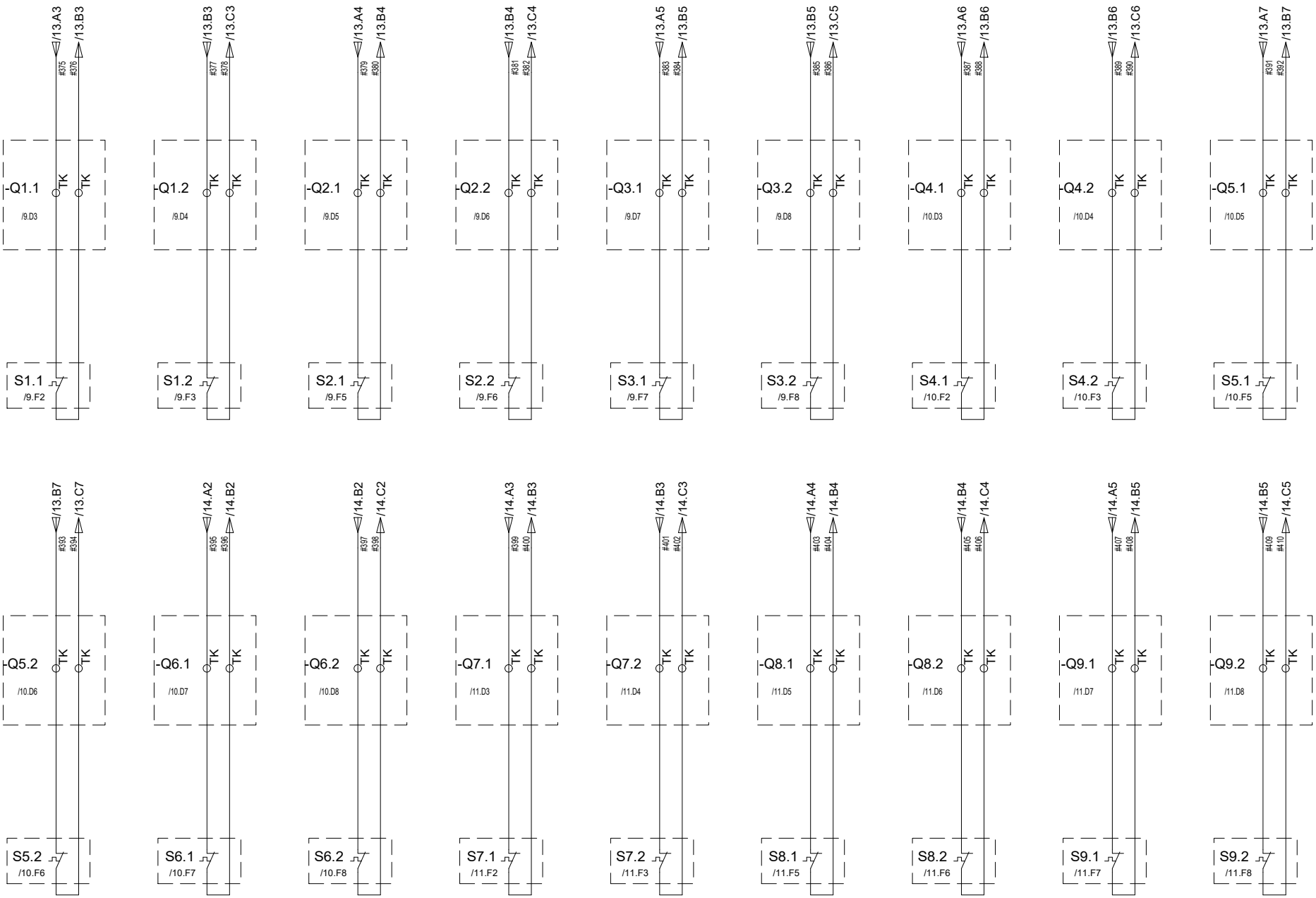
02	New brand	18/12/2019	PCIA	User	18/12/2019	ITALPCIA
01	Changed labels and added layout	07/07/2017	PCIA	Proved		
Status	change	date	name			



STEP CONTROL

This document and its contents is owned by LU-VE Group or its affiliates and protected by laws governing intellectual property and thereto related rights. Without limiting any rights related to this document, no part of this document may be copied, reproduced or transmitted in any form or by any means (electronic, mechanical, photocopying, recording, or otherwise), or for any purpose, without the expressed permission of LU-VE Group. Nor may it be used in any other way or for any other purpose than expressly permitted by LU-VE Group. LU-VE Group will enforce its rights related to this document to the fullest extent of the law, including the seeking of criminal prosecution.

**NOTE: switch for maintenance before motors are optional (Q1, Q2...)**

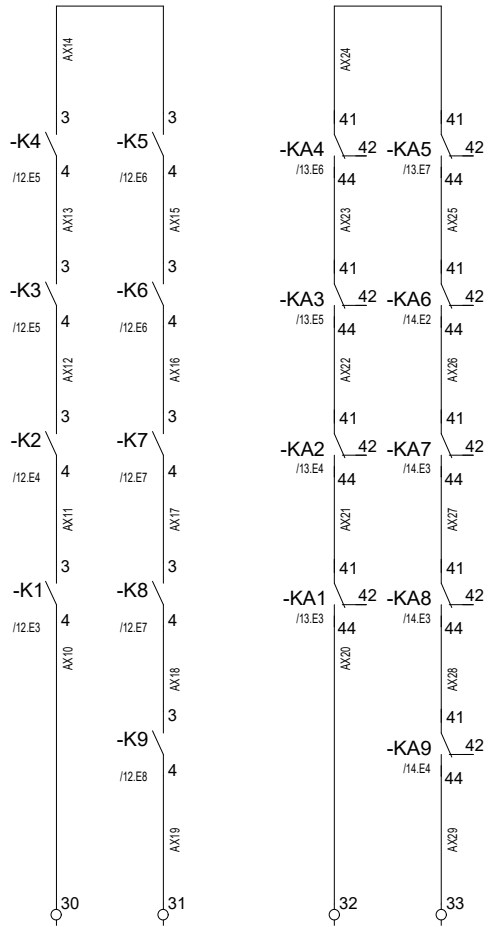


Q2	New brand	18/12/2019	PCIA	User	ITALPCIA
Q1	Changed labels and added layout	07/07/2017	PCIA	Proved	
Status	change	date	name		



**UNIT AUXILIARY**

This document and its contents is owned by LU-VE Group or its affiliates and protected by laws governing intellectual property and thereto related rights. Without limiting any rights related to this document, no part of this document may be copied, reproduced or transmitted in any form or by any means (electronic, mechanical, photocopying, recording, or otherwise), or for any purpose, without the expressed permission of LU-VE Group. Nor may it be used in any other way or for any other purpose than expressly permitted by LU-VE Group. LU-VE Group will enforce its rights related to this document to the fullest extent of the law, including the seeking of criminal prosecution.



ALL FANS RUNNING  
FREE CONTACT

FANS FAULT  
FREE CONTACT

02	New brand	18/12/2019	PCIA	User	ITALPCIA
01	Changed labels and added layout	07/07/2017	PCIA	Proved	
Status	change	date	name		



FREE CONTACTS

ELECTRIC MOTOR NOMINAL CURRENT (A)	FUSE SIZE
0,25 ÷ 0,50	CH10 2A gG
0,51 ÷ 0,90	CH10 1A am
0,91 ÷ 1,80	CH10 2A am
1,81 ÷ 3,60	CH10 4A am
3,61 ÷ 5,40	CH10 6A am
5,41 ÷ 7,20	CH10 8A am
7,21 ÷ 9,00	CH10 10A am
9,01 ÷ 10,80	CH10 12A am
10,81 ÷ 14,40	CH10 16A am
14,41 ÷ 18,00	CH10 20A am

**NOTE FOR FUSE SIZE:**  
max current for fuse size = current - 10% (temperature derating)

This document and its contents is owned by LU-VE Group or its affiliates and protected by laws governing intellectual property and thereto related rights. Without limiting any rights related to this document, no part of this document may be copied, reproduced or transmitted in any form or by any means (electronic, mechanical, photocopying, recording, or otherwise), or for any purpose, without the expressed permission of LU-VE Group. Nor may it be used in any other way or for any other purpose than expressly permitted by LU-VE Group. LU-VE Group will enforce its rights related to this document to the fullest extent of the law, including the seeking of criminal prosecution.

02	New brand	18/12/2019	PCIA	User	18/12/2019	ITALPCIA
01	Changed labels and added layout	07/07/2017	PCIA	Proved		
Status	change	date	name			

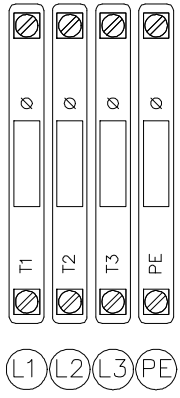


MOTOR PROTECTION SIZE

Document number: **SMXC286-02** Sheet 20

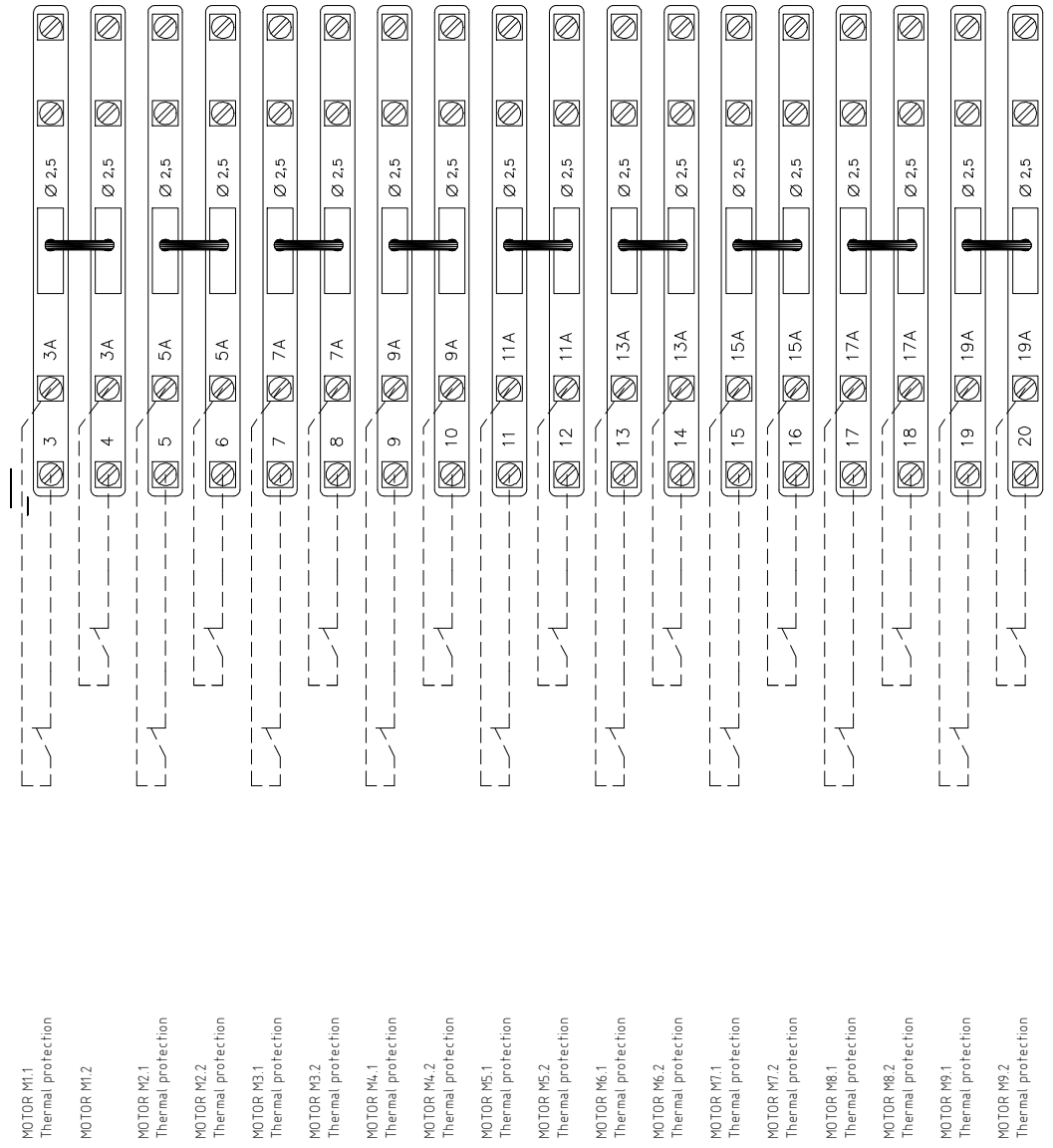
Sh. 21

This document and its contents are owned by LU-VE Group or its affiliates and protected by laws governing intellectual property and thereto related rights. Without limiting any rights related to this document, no part of this document may be copied, reproduced or transmitted in any form or by any means (electronic, mechanical, photocopying, recording, or otherwise), or for any purpose, without the expressed permission of LU-VE Group. Nor may it be used in any other way or for any other purpose than expressly permitted by LU-VE Group. LU-VE Group will enforce its rights related to this document to the fullest extent of the law, including the seeking of criminal prosecution.

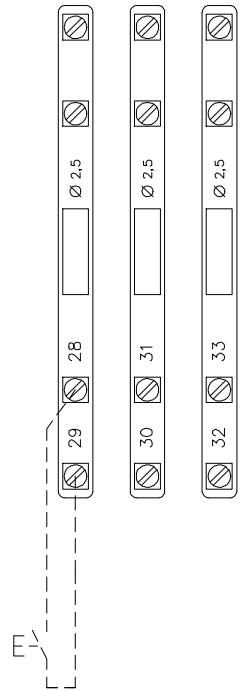


SWITCH Q1  
POWER  
SUPPLY

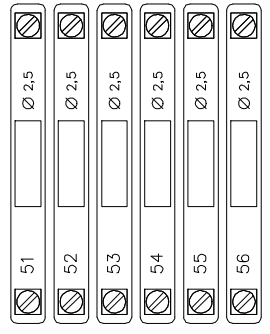
REMOTE START/STOP  
(remove jumper when you need)



REMOTE RESET  
  
"ALL FANS RUNNING"  
FREE CONTACT  
  
"FANS FAULT"  
FREE CONTACT



PROBE CONNECTION  
FOR  
STEP CONTROLLER



02	New brand	18/12/2019	PCIA	User	18/12/2019	ITALPCIA
01	Changed labels and added layout	07/07/2017	PCIA	Proved		
Status	change	date	name			



CONNECTION LINK

Document number: SMXC286-02

Sheet	21
Sh.	21